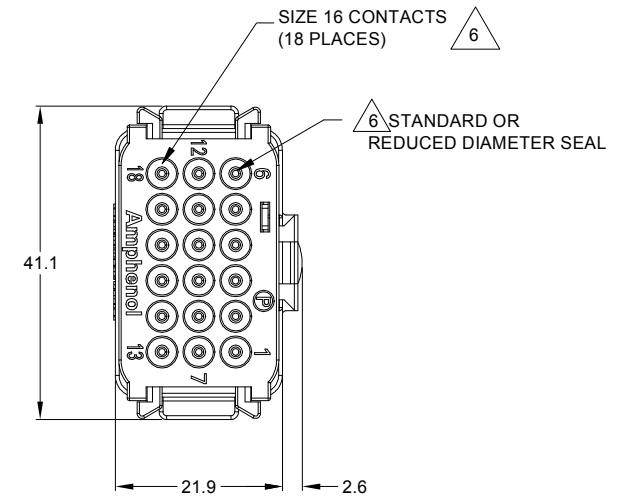
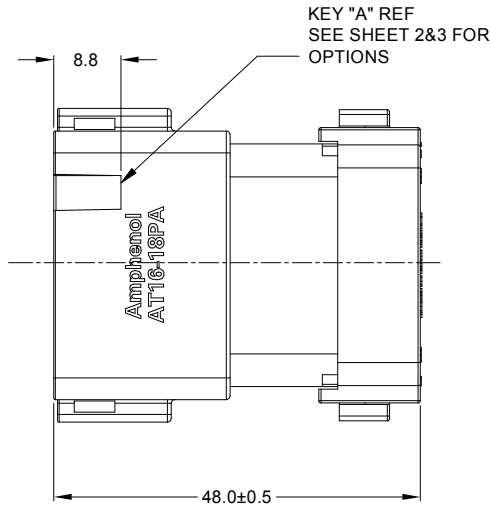
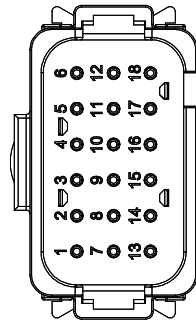




**THE DATASHEET OF  
AT16-18PA-K004**

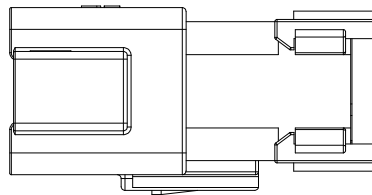


| REVISIONS |     |                            |           |       |       |
|-----------|-----|----------------------------|-----------|-------|-------|
| REV       | ECO | DESCRIPTION                | DATE      | BY    | APPR  |
| B1        | -   | RELEASE DRAWING            | 30JUN2020 | ZENIN | TOMMY |
| B2        | -   | TOTAL LENGTH SHORTEN 1.5mm | 12OCT2020 | ZENIN | TOMMY |



NOTES: UNLESS OTHERWISE SPECIFIED

- MATERIAL:  
HOUSING: THERMOPLASTIC; COLOR: SEE CHART  
END CAP: THERMOPLASTIC; COLOR: BLACK  
STRAIN RELIEF CAP: THERMOPLASTIC; COLOR: BLACK  
SEALS: SILICONE RUBBER; COLOR: RED, RD COLOR: GREEN
- MODIFICATIONS: END CAP, STRAIN RELIEF CAP (OPT),  
REDUCED DIAMETER SEAL, STANDARD DIAMETER SEAL (OPT).
- SPECIFICATIONS:  
3.1 CURRENT RATING: 13 AMPS  
3.2 OPERATING TEMPERATURE: -55°C TO +125°C  
3.3 DIELECTRIC WITHSTANDING VOLTAGE: LESS THAN 2 MILLIAMPS CURRENT LEAKAGE @ 1500 VOLTS AC.  
3.4 INSULATION RESISTANCE: 1000 MEGOHMS MIN @ 25°C.  
3.5 MOISTURE RESISTANCE:  
IP68(1M OF WATER FOR A PERIOD OF 24 HOURS , MATED CONDITION)  
IP69K(MATED CONDITION)  
3.6 MATING CYCLE DURABILITY: 100 CYCLES  
3.7 RoHS COMPLIANT
- MATING PART: AT16-18SX-\* PLUG  
( X = A,B,C,D,E KEYS; \* = MODIFICATIONS AND COLORS )
- ALL DIMENSIONS ARE FOR REFERENCE USE ONLY.



△ CONTACT SIZE AND REAR SEAL WIRE RANGE

REDUCED DIAMETER SEAL:

| CONTACT SIZE | MIN. INSUL O.D.   | MAX. INSUL O.D.   | TYPICAL WIRE RANGE |
|--------------|-------------------|-------------------|--------------------|
| 16           | 1.35 mm (.053 in) | 3.05 mm (.120 in) | 14 - 20 AWG        |

STANDARD SEAL:

| CONTACT SIZE | MIN. INSUL O.D.   | MAX. INSUL O.D.   | TYPICAL WIRE RANGE |
|--------------|-------------------|-------------------|--------------------|
| 16           | 2.24 mm (.088 in) | 3.68 mm (.145 in) | 14 - 20 AWG        |

|                                      |                |  |  |
|--------------------------------------|----------------|--|--|
| SEE CHART                            |                | 934447111,934447121,934447131,934447141,934447151,934447511,934447521,934447531,934447541,934447551  |  |
| PART NUMBER                          |                | DESCRIPTION  |  |
| QUANTITY                             | MATERIALS LIST |  |  |
| UNLESS OTHERWISE SPECIFIED           |                | SIGNATURES   |  |
| 1) All dimensions are in metric(mm). |                | DRAWN: ZENIN,DENG 12OCT20  |  |
| 2) Tolerances are as follows:        |                | CHECKED: ORIONLI 12OCT20   |  |
| 1 PL DEC ±0.30                       |                | ENGINEER:  |  |
| 2 PL DEC ±0.15                       |                | APPROVAL: TOMMY,XIE 12OCT20  |  |
| 3 PL DEC ±0.08                       |                | CUSTOMER:  |  |
| 3) Note reference = △                |                | CUSTOMER:  |  |
| MATERIAL SPECIFICATIONS:             |                | THIS DRAWING IS SUPPLIED FOR INFORMATION ONLY. DESIGN FEATURES, SPECIFICATIONS AND PERFORMANCE DATA SHOWN HEREON ARE THE PROPERTY OF THE AMPHENOL CORPORATION. NO RIGHTS OF REPRODUCTION ARE IMPLIED. ALL DIMENSIONS ARE SUBJECT TO NORMAL MANUFACTURING VARIATIONS. |  |
| PROCESS SPECIFICATIONS:              |                | SIZE B C- AT16-18PX-XXXXXX REVISION B2   |  |
| NEXT ASSY:                           |                | SCALE NONE SHEET 1 OF 3  |  |

**SINE Systems Corporation**  
A Subsidiary of Amphenol Corporation  
44724 Morley Drive  
Clinton Township, MI 48036

18 POSITION RECEPTACLE, PIN, AT SERIES

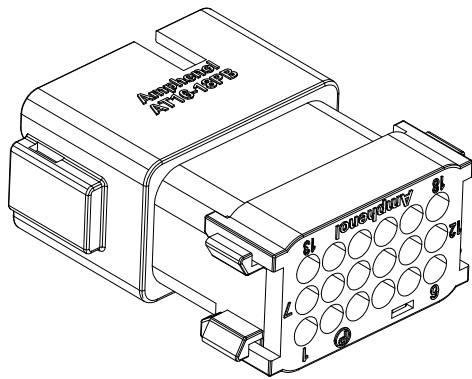
TITLE: 18 POSITION RECEPTACLE, PIN, AT SERIES

DWG NO.: AT16-18PX-XXXXXX

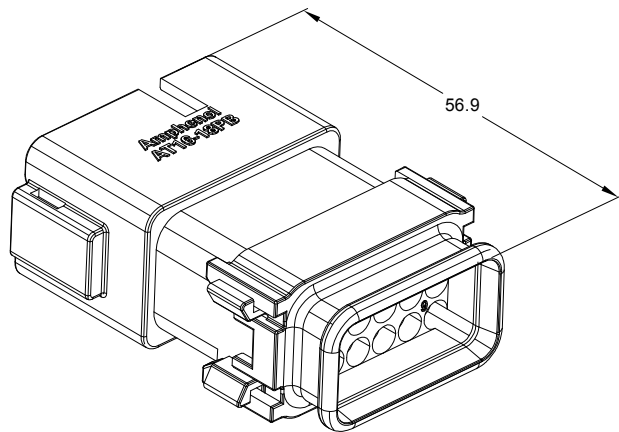
REV: B2

SH: 1

OF: 3



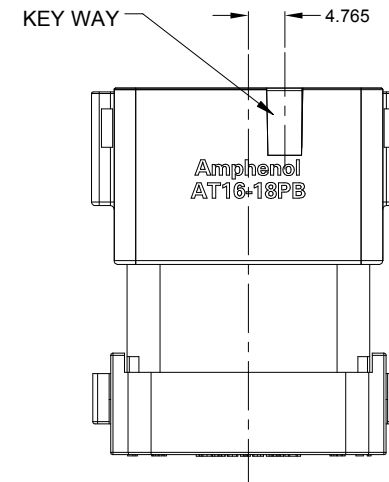
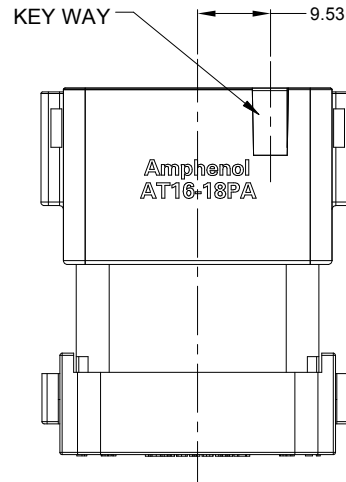
SHOWN WITH  
END CAP



SHOWN WITH  
STRAIN RELIEF

56.9

| REVISIONS |     |                            |           |       |       |
|-----------|-----|----------------------------|-----------|-------|-------|
| REV       | ECO | DESCRIPTION                | DATE      | BY    | APPR  |
| B1        | -   | RELEASE DRAWING            | 30JUN2020 | ZENIN | TOMMY |
| B2        | -   | TOTAL LENGTH SHORTEN 1.5mm | 12OCT2020 | ZENIN | TOMMY |



| KEY-A CONFIGURATION |               |       |              |
|---------------------|---------------|-------|--------------|
| PART NUMBER         | STRAIN RELIEF | COLOR | SEAL         |
| AT16-18PA-K004      | NO            | BLACK | REDUCED DIA. |
| AT16-18PA-EK02      | NO            | GRAY  | REDUCED DIA. |
| AT16-18PA-SR02      | YES           | BLACK | REDUCED DIA. |
| AT16-18PA-EKSR02    | YES           | GRAY  | REDUCED DIA. |
| AT16-18PA-K005      | NO            | BLACK | STANDARD     |
| AT16-18PA-EK03      | NO            | GRAY  | STANDARD     |
| AT16-18PA-SR03      | YES           | BLACK | STANDARD     |
| AT16-18PA-EKSR03    | YES           | GRAY  | STANDARD     |

| KEY-B CONFIGURATION |               |       |              |
|---------------------|---------------|-------|--------------|
| PART NUMBER         | STRAIN RELIEF | COLOR | SEAL         |
| AT16-18PB-K004      | NO            | BLACK | REDUCED DIA. |
| AT16-18PB-SR02      | YES           | BLACK | REDUCED DIA. |
| AT16-18PB-K005      | NO            | BLACK | STANDARD     |
| AT16-18PB-SR03      | YES           | BLACK | STANDARD     |

| SEE CHART  |             | DESCRIPTION  |  | ITEM |
|--|-------------|--|--|------|
| QUANTITY   | PART NUMBER | MATERIALS LIST   |  |      |
| <b>UNLESS OTHERWISE SPECIFIED</b><br>1) All dimensions are in metric(mm).<br>2) Tolerances are as follows:<br>1 PL DEC ±0.30 Fractions ±1/64<br>2 PL DEC ±0.15 Angles ±1°<br>3 PL DEC ±0.08<br>3) Note reference = |             |  |  |      |
| SIGNATURES   |             | DATE   |  |      |
| DRAWN: ZENINDENG   |             | 12OCT20  |  |      |
| CHECKED: ORIONLI   |             | 12OCT20  |  |      |
| ENGINEER:  |             |  |  |      |
| APPROVAL: TOMMYXIE   |             | 12OCT20  |  |      |
| MATERIAL SPECIFICATIONS:   |             | CUSTOMER:  |  |      |
| PROCESS SPECIFICATIONS:  |             | THIS DRAWING IS SUPPLIED FOR INFORMATION ONLY. DESIGN FEATURES, SPECIFICATIONS AND PERFORMANCE DATA SHOWN HEREON ARE THE PROPERTY OF THE AMPHENOL CORPORATION. NO RIGHTS OF REPRODUCTION ARE IMPLIED. ALL DIMENSIONS ARE SUBJECT TO NORMAL MANUFACTURING VARIATIONS. |  |      |
| NEXT ASSY:   |             | SCALE: NONE  |  |      |

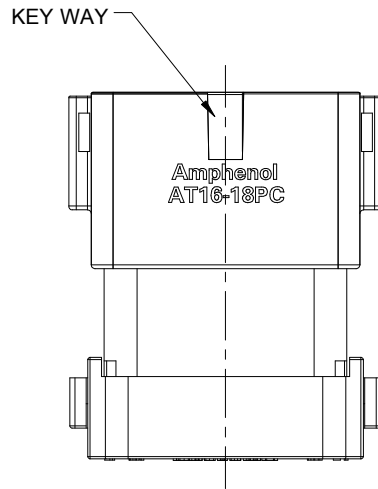
**SINE Systems Corporation**  
 A Subsidiary of Amphenol Corporation  
 44724 Morley Drive  
 Clinton Township, MI 48036

18 POSITION RECEPTACLE, PIN,AT SERIES

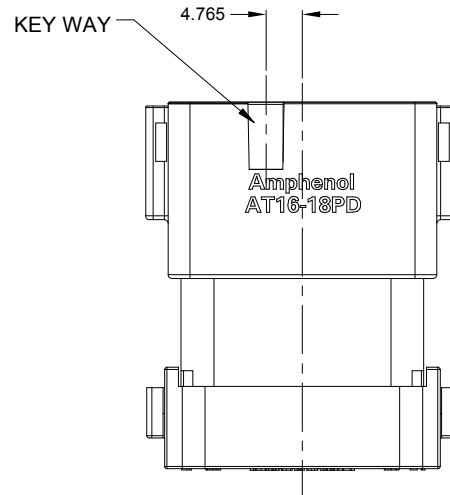
SIZE: **B C-** AT16-18PX-XXXXXX **B2**

SCALE: NONE SHEET 2 OF 3

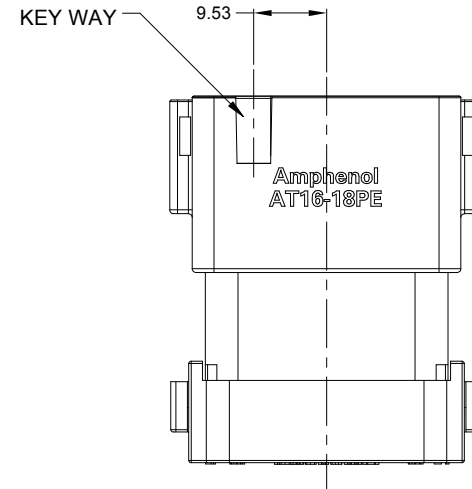
| REVISIONS |     |                            |           |       |       |
|-----------|-----|----------------------------|-----------|-------|-------|
| REV       | ECO | DESCRIPTION                | DATE      | BY    | APPR  |
| B1        | -   | RELEASE DRAWING            | 30JUN2020 | ZENIN | TOMMY |
| B2        | -   | TOTAL LENGTH SHORTEN 1.5mm | 12OCT2020 | ZENIN | TOMMY |



| KEY-C CONFIGURATION |               |       |              |
|---------------------|---------------|-------|--------------|
| PART NUMBER         | STRAIN RELIEF | COLOR | SEAL         |
| AT16-18PC-K004      | NO            | BLACK | REDUCED DIA. |
| AT16-18PC-EK02      | NO            | GREEN | REDUCED DIA. |
| AT16-18PC-SR02      | YES           | BLACK | REDUCED DIA. |
| AT16-18PC-EKSR02    | YES           | GREEN | REDUCED DIA. |
| AT16-18PC-K005      | NO            | BLACK | STANDARD     |
| AT16-18PC-EK03      | NO            | GREEN | STANDARD     |
| AT16-18PC-SR03      | YES           | BLACK | STANDARD     |
| AT16-18PC-EKSR03    | YES           | GREEN | STANDARD     |



| KEY-D CONFIGURATION |               |       |              |
|---------------------|---------------|-------|--------------|
| PART NUMBER         | STRAIN RELIEF | COLOR | SEAL         |
| AT16-18PD-K004      | NO            | BLACK | REDUCED DIA. |
| AT16-18PD-EK02      | NO            | BROWN | REDUCED DIA. |
| AT16-18PD-SR02      | YES           | BLACK | REDUCED DIA. |
| AT16-18PD-EKSR02    | YES           | BROWN | REDUCED DIA. |
| AT16-18PD-K005      | NO            | BLACK | STANDARD     |
| AT16-18PD-EK03      | NO            | BROWN | STANDARD     |
| AT16-18PD-SR03      | YES           | BLACK | STANDARD     |
| AT16-18PD-EKSR03    | YES           | BROWN | STANDARD     |



| KEY-E CONFIGURATION |               |       |              |
|---------------------|---------------|-------|--------------|
| PART NUMBER         | STRAIN RELIEF | COLOR | SEAL         |
| AT16-18PE-K004      | NO            | BLACK | REDUCED DIA. |
| AT16-18PE-EK02      | NO            | GRAY  | REDUCED DIA. |
| AT16-18PE-SR02      | YES           | BLACK | REDUCED DIA. |
| AT16-18PE-EKSR02    | YES           | GRAY  | REDUCED DIA. |
| AT16-18PE-K005      | NO            | BLACK | STANDARD     |
| AT16-18PE-EK03      | NO            | GRAY  | STANDARD     |
| AT16-18PE-SR03      | YES           | BLACK | STANDARD     |
| AT16-18PE-EKSR03    | YES           | GRAY  | STANDARD     |

| SEE CHART  |             | DESCRIPTION  |  | ITEM   |
|--|-------------|--|--|--|
| QUANTITY   | PART NUMBER |  |  |  |
| <b>MATERIALS LIST</b>  |             |  |  |  |
| <b>UNLESS OTHERWISE SPECIFIED</b><br>1) All dimensions are in metric(mm).<br>2) Tolerances are as follows:<br>1 PL DEC ±0.30<br>2 PL DEC ±0.15<br>3 PL DEC ±0.08<br>Fractions ±1/64<br>Angles ±1°<br>3) Note reference = |             | <b>SIGNATURES</b><br>DRAWN: ZENINDENG 12OCT20<br>CHECKED: ORIONLI 12OCT20<br>ENGINEER:<br>APPROVAL: TOMMYXIE 12OCT20<br>CUSTOMER:  |  | <b>DATE</b><br>12OCT20<br>12OCT20<br>12OCT20 |
| MATERIAL SPECIFICATIONS:   |             | <b>SINE Systems Corporation</b><br>A Subsidiary of Amphenol Corporation<br>44724 Morley Drive<br>Clinton Township, MI 48036  |  |  |
| PROCESS SPECIFICATIONS:  |             | 18 POSITION RECEPTACLE, PIN,AT SERIES  |  |  |
| NEXT ASSY:   |             | THIS DRAWING IS SUPPLIED FOR INFORMATION ONLY. DESIGN FEATURES, SPECIFICATIONS AND PERFORMANCE DATA SHOWN HEREON ARE THE PROPERTY OF THE AMPHENOL CORPORATION. NO RIGHTS OF REPRODUCTION ARE IMPLIED. ALL DIMENSIONS ARE SUBJECT TO NORMAL MANUFACTURING VARIATIONS. |  | SCALE: NONE<br>SHEET 3 OF 3                  |
|  |             | <b>SIZE</b> B C- <b>AT16-18PX-XXXXXX</b>   |  | <b>REVISION</b> B2                           |

TITLE: 18 POSITION RECEPTACLE, PIN,AT SERIES  
 DWG NO.: AT16-18PX-XXXXXX  
 REV: B2  
 SH: 3  
 OF: 3

# A Series™ - Contact Size 16 Options (Works with: AT, ATV, AHD-9, ARC, DuraMate and PanelMate Series)

| Machined Contacts, Sockets & Pins |  |      |       |          |
|-----------------------------------|--|------|-------|----------|
| Part Number                       | Description                            | Size | AWG   | Type     |
| AT60-215-1631                     | Male Contact - Pin, Gold-plated        | 16   | 14    | Machined |
| AT62-209-1631                     | Female Contact - Socket, Gold-plated   | 16   | 14    | Machined |
| AT60-215-16141                    | Male Contact - Pin, Nickel-plated      | 16   | 14    | Machined |
| AT62-209-16141                    | Female Contact - Socket, Nickel-plated | 16   | 14    | Machined |
| AT60-202-1631                     | Male Contact - Pin, Gold-plated        | 16   | 16-20 | Machined |
| AT62-201-1631                     | Female Contact - Socket, Gold-plated   | 16   | 16-20 | Machined |
| AT60-202-16141                    | Male Contact - Pin, Nickel-plated      | 16   | 16-20 | Machined |
| AT62-201-16141                    | Female Contact - Socket, Nickel-plated | 16   | 16-20 | Machined |
| AT60-202-1631-22                  | Male Contact - Pin, Gold-plated        | 16   | 22-24 | Machined |
| AT62-201-1631-22                  | Female Contact - Socket, Gold-plated   | 16   | 22-24 | Machined |
| AT60-202-16141-22                 | Male Contact - Pin, Nickel-plated      | 16   | 22-24 | Machined |
| AT62-201-16141-22                 | Female Contact - Socket, Nickel-plated | 16   | 22-24 | Machined |

| Tooling - Machined Contacts |   |
|-----------------------------|---|
| Part Number                 | Description   |
| AUTK-16                     | Hand Crimp Tool, Size 16                                      |
| AUTK-100                    | Universal Heavy Duty Contact Crimping Tool Kit, Size 12/16/20 |
| CA-5D12                     | Universal Hand Crimp Tool, Size 12/16/20                      |
| CA-5E12                     | Pneumatic Crimp Tool, Size 12/16/20                           |

| Contact Removal Tools (For both Machined or Stamped & Formed Contacts) |  |
|--|--|
| Part Number  | Description                            |
| ATRT-100   | Contact and Wedgelock Extraction Tool  |
| AT11-310-1605  | Contact Removal Tool, Plastic, Size 16 |

| Sealing Plugs (For both Machined or Stamped & Formed Contacts) |   |
|--|---|
| Part Number  | Description                                     |
| A114017  | Sealing Plug, Size 16, White                    |
| A114017-SR   | Sealing Plug, Size 16, SR01 Series, Black       |
| AT13-217-1605  | Locking Sealing Plug, Size 16, Grey             |
| AT13-217-1605-SR   | Locking Sealing Plug, Size 16, SR01 Series, Red |

| Stamped & Formed Contacts, Sockets & Pins |  |      |       |                  |
|---|--|------|-------|------------------|
| Part Number                               | Description                            | Size | AWG   | Type             |
| AT60-14-0122                              | Male Contact - Pin, Nickel-plated      | 16   | 14-18 | Stamped & Formed |
| AT62-14-0122                              | Female Contact - Socket, Nickel-plated | 16   | 14-18 | Stamped & Formed |
| AT60-14-0144                              | Male Contact - Pin, Gold-plated        | 16   | 14-18 | Stamped & Formed |
| AT62-14-0144                              | Female Contact - Socket, Gold-plated   | 16   | 14-18 | Stamped & Formed |
| AT60-16-0122                              | Male Contact - Pin, Nickel-plated      | 16   | 16-18 | Stamped & Formed |
| AT62-16-0122                              | Female Contact - Socket, Nickel-plated | 16   | 16-18 | Stamped & Formed |
| AT60-16-0144                              | Male Contact - Pin, Gold-plated        | 16   | 16-18 | Stamped & Formed |
| AT62-16-0144                              | Female Contact - Socket, Gold-plated   | 16   | 16-18 | Stamped & Formed |
| AT60-16-0622                              | Male Contact - Pin, Nickel-plated      | 16   | 16-20 | Stamped & Formed |
| AT62-16-0622                              | Female Contact - Socket, Nickel-plated | 16   | 16-20 | Stamped & Formed |
| AT60-16-0644                              | Male Contact - Pin, Gold-plated        | 16   | 16-20 | Stamped & Formed |
| AT62-16-0644                              | Female Contact - Socket, Gold-plated   | 16   | 16-20 | Stamped & Formed |
| AT60-16-0677                              | Male Contact - Pin, Tin-plated         | 16   | 16-20 | Stamped & Formed |
| AT62-16-0677                              | Female Contact - Socket, Tin-plated    | 16   | 16-20 | Stamped & Formed |
| AT60-16-0822                              | Male Contact - Pin, Nickel-plated      | 16   | 20-22 | Stamped & Formed |
| AT62-16-0822                              | Female Contact - Socket, Nickel-plated | 16   | 20-22 | Stamped & Formed |
| AT60-16-0844                              | Male Contact - Pin, Gold-plated        | 16   | 20-22 | Stamped & Formed |
| AT62-16-0844                              | Female Contact - Socket, Gold-plated   | 16   | 20-22 | Stamped & Formed |

| Tooling - Stamped & Formed Contacts |                                     |
|-------------------------------------|-------------------------------------|
| MFX-3950                            | Crimp Die - Size 16, 18-20AWG       |
| MFX-3953                            | Crimp Die - Size 16, 16-18AWG       |
| MFX-3975                            | Crimp Die - Size 16, 14-16AWG       |
| MFX-3990                            | Crimp Die - Size 16, 20-22AWG       |
| ATT-16-00                           | Hand Crimp Tool - Size 16, 14-16AWG |
| ATT-16-01                           | Hand Crimp Tool - Size 16, 18-20AWG |
| ATT-1612-03                         | Hand Crimp Tool - Size 16, 20-22AWG |

## Looking for pricing, stock, or lifecycle information?

Click below to explore more details on WIN SOURCE:

- ⊖ [View AT16-18PA-K004 on WIN SOURCE](#)
- ⊖ [Amphenol Sine Systems Corp Information](#)

## Optimize Your Supply Chain with WIN SOURCE Solutions

- ✓ Global Sourcing Solution
- ✓ Obsolete Management
- ✓ Cost Control Management
- ✓ Shortage Management
- ✓ Alternative Solution
- ✓ Excess Inventory Management