



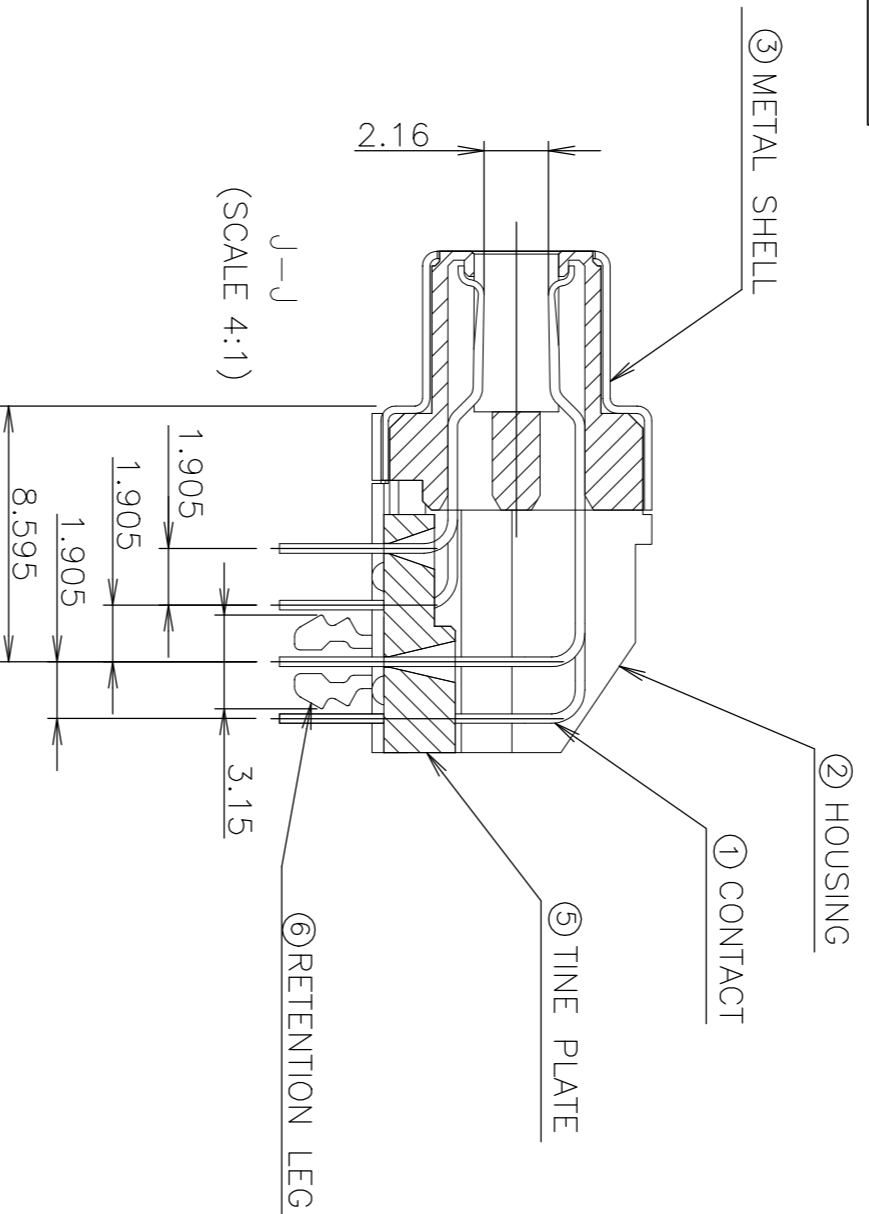
**THE DATASHEET OF**  
**5917738-5**



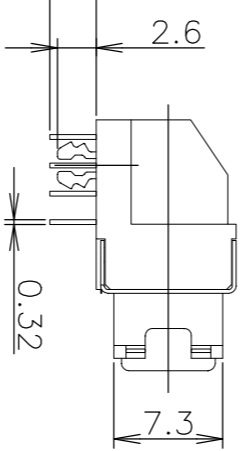
3

2

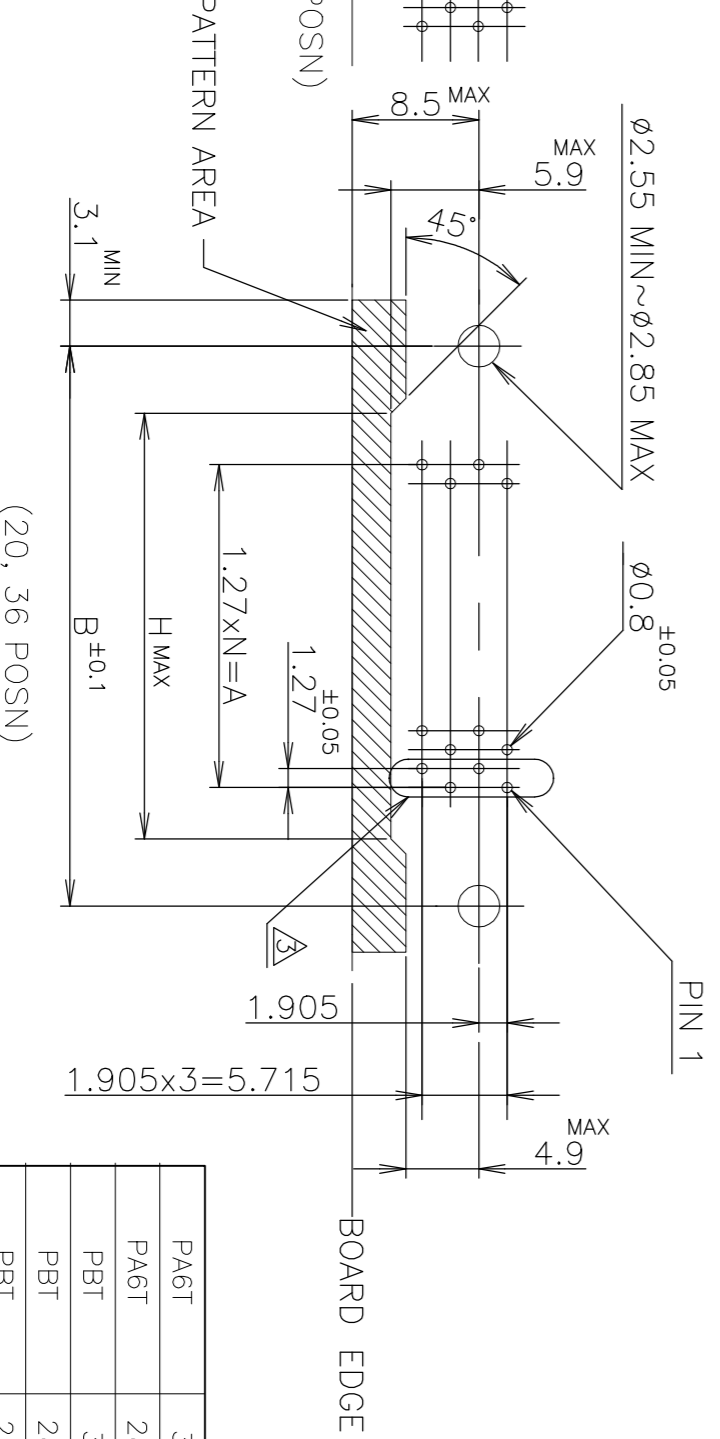
1



ITEM	(MATERIAL)	(FINISH)
①	COPPER ALLOY	NICKEL UNDER PLATE ALL OVER CONTACT AREA : Au(0.0001) SOLDER TINE AREA : TIN PLATE
②	PBT OR PA6T	COLOR : PBT BLACK PA6T NATURAL
③	STEEL THK0.25	NICKEL PLATE OVER COPPER UNDERPLATE
④	STAINLESS STEEL	
⑥	COPPER ALLOY	NICKEL UNDER PLATE ALL OVER. TIN PLATING ALL OVER.
⑦	STEEL	NICKEL PLATE OVER COPPER UNDERPLATE



△RECOMMENDED SCREW SIZE : M2.6 PANHEAD SCREW ( L=5 )  
 2 RECOMMENDED P.C BOARD THICKNESS : 1.6mm±0.15  
 △POST PATTERN AS SHOWN ON THIS END FOR ALL POSITION.



PA6T	37.5	10.3	42.8	52.40	42.50	35.48	46.50	30.48	24	50	1-5917738-7
PA6T	28.61	8.3	33.9	43.51	33.61	26.59	37.61	21.59	17	36	1-5917738-5
PBT	37.5	10.3	42.8	52.40	42.50	35.48	46.50	30.48	24	50	5917738-7
PBT	28.61	8.3	33.9	43.51	33.61	26.59	37.61	21.59	17	36	5917738-5
PBT	22.26	8.3	27.6	37.16	27.26	20.24	31.26	15.24	12	26	5917738-4
PBT	18.45	8.3	23.8	33.35	23.45	16.43	27.45	11.43	9	20	5917738-2
PBT	14.64	8.3	19.9	29.54	19.64	12.62	23.64	7.62	6	14	5917738-1

LEAD FREE

5917738

RECOMMENDED P.C BOARD  
MOUNTING DIMENSION  
COMPONENT SIDE

THIS DRAWING IS A CONTROLLED DOCUMENT.

DIMENSIONS: 单位: 毫米		TOLERANCES UNLESS OTHERWISE SPECIFIED:	
0 P.LC	± 0.2	0.15 P.LC	± 0.2
1 P.LC	± 0.2	0.3 P.LC	± 0.2
2 P.LC	± 0.2	0.6 P.LC	± 0.2
3 P.LC	± 0.2	0.8 P.LC	± 0.2
4 P.LC	± 0.2	1.0 P.LC	± 0.2
FINISH		ANGLES	
SEE TABLE		SEE TABLE	
MATERIAL 材料		SEE TABLE	
CUSTOMER DRAWING		WEIGHT	
A2 00779		C-5917738	
SIZE		CAD CODE	
A2 00779		C-5917738	
SCALE		SHEET	
2:1		1 of 1	
REV		R	

STE TE Connectivity Ltd.

CHAMP.050 SERIES (II)

FMS-TYPE

RESTRICTED 10

A

B

C

D

Looking for pricing, stock, or lifecycle information?

Click below to explore more details on WIN SOURCE:

[View 5917738-5 on WIN SOURCE](#)

[TE Connectivity Information](#)

### Optimize Your Supply Chain with WIN SOURCE Solutions

- ✓ Global Sourcing Solution
- ✓ Obsolete Management
- ✓ Cost Control Management
- ✓ Shortage Management
- ✓ Alternative Solution
- ✓ Excess Inventory Management