



THE DATASHEET OF STA5000T-R

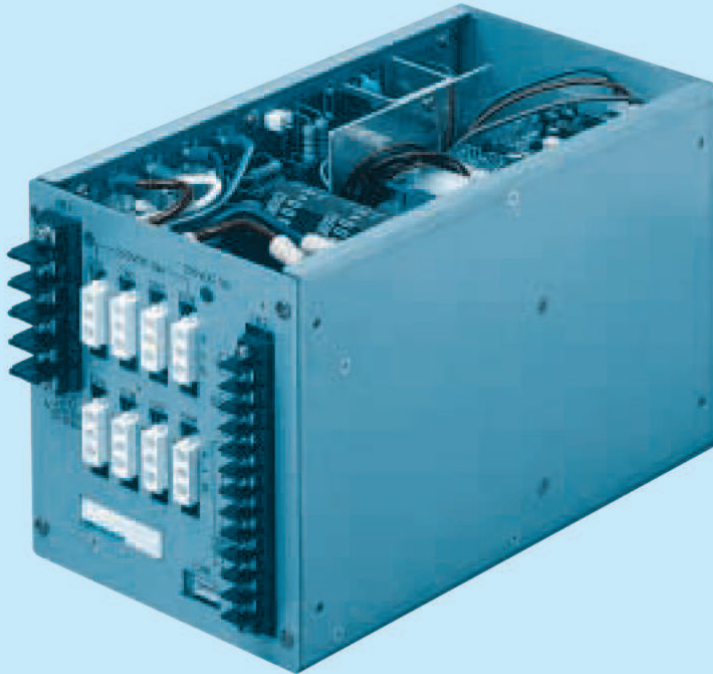


STA5000T

STA 5000 T -

① ② ③ ④

c **UL** us
RoHS



- ① Series name
- ② Output wattage
- ③ Triple input phase
- ④ Optional *1
R :with Sequence unit

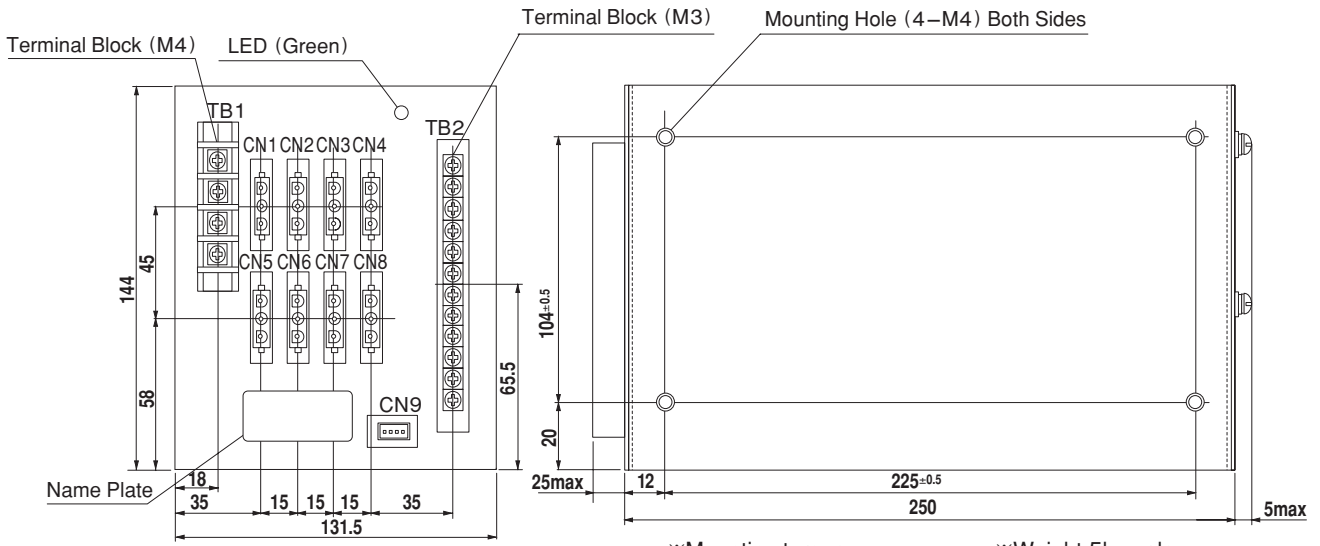
* For connection of loads except the series DBS, please contact Cosel development department.
* Never make a short-circuit between the output pins. It may severely damage the unit.

SPECIFICATIONS

	MODEL	STA5000T
INPUT	VOLTAGE[V]	AC170 - 264 3φ (Rated input voltage : AC200V)
	FREQUENCY[Hz]	50/60, (47 - 63)
	INRUSH CURRENT[A] ACIN 200V	50typ
	POWER FACTOR	0.9typ (ACIN 200V)
	EFFICIENCY[%]	97.5typ (ACIN 200V)
OUTPUT	WATTAGE[W]	5.000
	OUTPUT VOLTAGE[V]	DC230 - 370 (Changes depending on the input voltage)
PROTECTION CIRCUIT AND OTHERS	OPERATING INDICATION	LED (Green)
	OVERCURRENT PROTECTION	By means of fuse
	THERMAL PROTECTION	Provided
	REMOTE ON/OFF OUTPUT	Provided (Isolated from output)
	ALARM OUTPUT	Provided (Isolated from output)
	SYSTEM ON/OFF INPUT	Provided (Isolated from output, optional)
ISOLATION	REMOTE SIGNAL ON/OFF OUTPUT	Provided (Isolated from output, optional)
	INPUT-FG	AC2.000V 1minute, Cutoff current = 10mA, DC500V 50MΩmin (At Room Temperature)
	INPUT-RS ON/OFF, ALM	AC2.000V 1minute, Cutoff current=10mA, DC500V 50MΩmin (At Room Temperature)
ENVIRONMENT	RS ON/OFF, ALM-FG	AC500V 1minute, Cutoff current=50mA, DC500V 50MΩmin (At Room Temperature)
	OPERATING TEMP	-10 - 50°C Forced air
	STORAGE TEMP	-20 - 75°C
	VIBRATION	10 - 55Hz, 19.6m/s ² (2G), 3minutes period, 60minutes each along X, Y and Z axis
SAFETY AND NOISE REGULATIONS	IMPACT	196.1m/s ² (20G), 11ms, once each X, Y and Z axis
	AGENCY APPROVALS	UL60950-1, C-UL (CSA60950-1), IEC60950-1
	CONDUCTED NOISE	Complies with FCC-B, CISPR22-classB, EN55022-B

*1 Please contact us about safety approvals for the model with option.

External view



※Mounting torque:
1.5N·m (16kgf·cm) max

※Weight:5kg or less
※Tolerance ±1
※Dimensions in mm

TB1
TYPE:F2331B 4P

pin no.	Function
1	AC (R)
2	AC (S)
3	AC (T)
4	FG

CN1 – CN8
TYPE:350825–1

pin no.	Function
1	DC (+V)
2	DC (-V)
3	FG

Mating Connector:350766–1
Terminal:350547–1
or 350552–1

CN9
TYPE:B4B–XH

pin no.	Function
1	REMOTE ON/OFF (+)
2	REMOTE ON/OFF (-)
3	AL OUT (+)
4	AL OUT (-)

Mating Connector:XHP–4
Terminal: SXH–001T–P0.6
or SXH–002T–P0.6

TB2 (STA5000T–R)
TYPE:F2361A–13.2L–12P

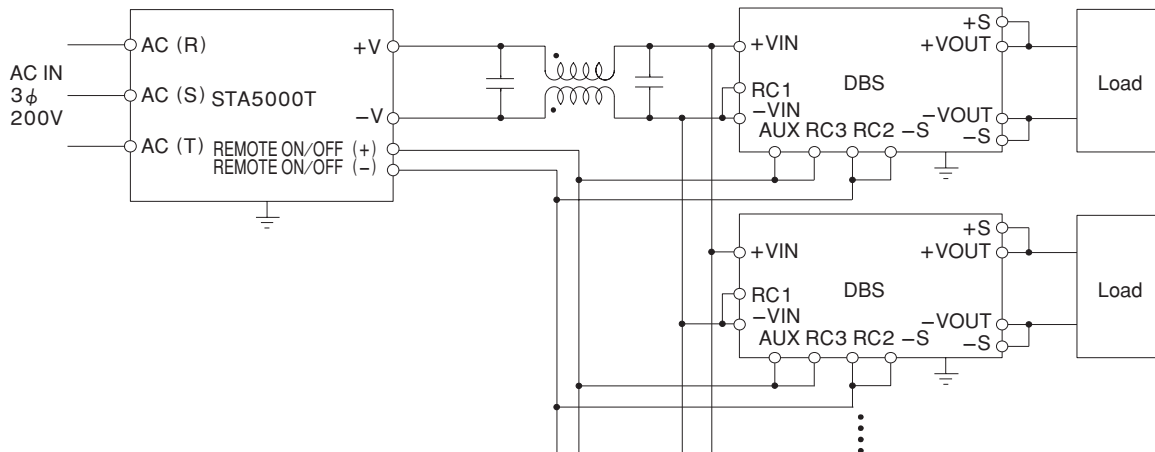
pin no.	Function
1	ALM (+)
2	ALM (-)
3	SYSTEM ON/OFF (+)
4	SYSTEM ON/OFF (-)
5	R/S1 ON/OFF (+)
6	R/S1 ON/OFF (-)
7	R/S2 ON/OFF (+)
8	R/S2 ON/OFF (-)
9	R/S3 ON/OFF (+)
10	R/S3 ON/OFF (-)
11	R/S4 ON/OFF (+)
12	R/S4 ON/OFF (-)

※Keep drawing current per pin bellow 8A of CN1 – CN8.

Performance data



SYSTEM CONCEPT

– Sample system configuration –



Looking for pricing, stock, or lifecycle information?

Click below to explore more details on WIN SOURCE:

-  [View STA5000T-R on WIN SOURCE](#)
-  [Cosel USA, Inc. Information](#)

Optimize Your Supply Chain with WIN SOURCE Solutions

-  Global Sourcing Solution
-  Obsolete Management
-  Cost Control Management
-  Shortage Management
-  Alternative Solution
-  Excess Inventory Management