



**THE DATASHEET OF
JX80-0037NL**



ASTIC MATERIAL WITH FLAMMABILITY

ES GOLD PLATING.

HOSPHOR BRONZE

CHES NICKEL

300 UNCHES 100% TIN, MATTE FINISH.

G ON COPPER ALLOY.

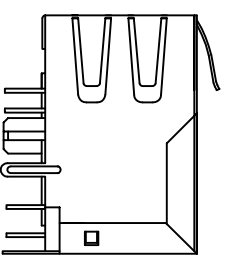
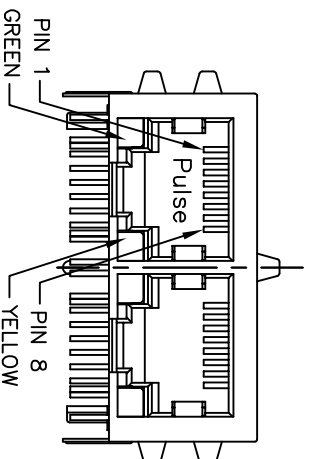
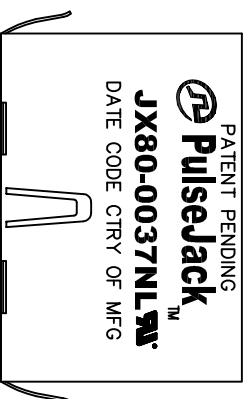
FCC PART 68 SUBPART.

°C TO +125°C

BILITY AT 245°C DIP AND LOOK TEST

NO MOISTURE SENSITIVE

MAXIMUM THROUGH WAVE SOLDER



FINAL OUTLINE

Corp. All rights reserved. Pulse confidential & proprietary. (02/10/2015)

TLA DRAWING	PS DRAWING	SHEET	PART NO.	DATASHEET REV.
JX80-0037NL-11	PS-2063.001-G	1 OF 4	JX80-0037NL	A

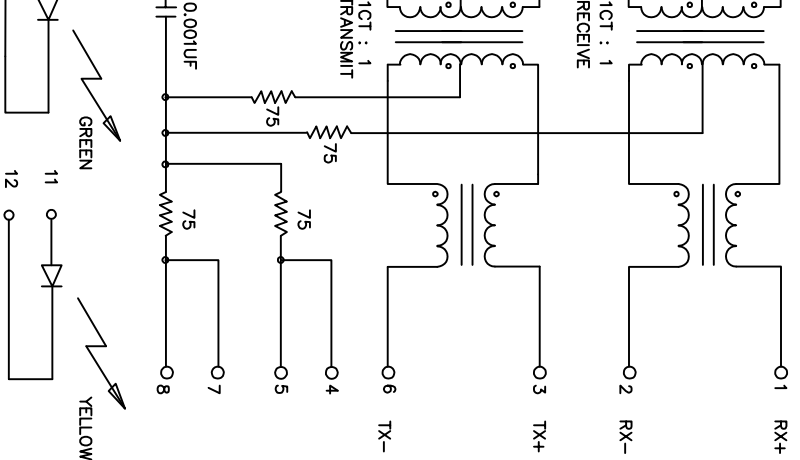
ELECTRICAL CHARACTERISTICS AT +25°C UNLESS OTHERWISE SPECIFIED
(FOR REFERENCE ONLY; USED FOR CUSTOMER INFORMATION.)

PARAMETER	SPECIFICATION	
OPERATING TEMP	-40°C TO +85°C	
TURNS RATIO	1.00 ± 2%	
POLARITY	PER SCHEMATIC	
INSERTION LOSS	100 KHZ	1-125 MHZ
RETURN LOSS (Z OUT = 100 OHM ±15%)	-1.2 DB MAX	-0.2-0.002*f ^{1.4} DB MAXIMUM
	.1-30 MHZ	30-60 MHZ
	-16 DB MIN	-10+20*LOG ₁₀ (f/60 MHZ) DB MIN
		-10 DB MIN
INDUCTANCE (OCL) (MEDIA SIDE, -40°C TO +85°C)	350 uH MIN	(MEASURED AT 100 KHZ, 100 mV _{RMS}) (AND WITH 8 mA DC BIAS)
CROSSTALK, ADJACENT CHANNELS	1 MHZ	10-100 MHZ
	-50 DB MIN	-50+17*LOG ₁₀ (f/10) DB MINIMUM
COMMON MODE REJECTION RATIO	2 MHZ	30-200 MHZ
	-50 DB MIN	-15+20*LOG ₁₀ (f/200) DB MINIMUM
DC RESISTANCE 1/2 WINDING	.60 OHMS MAXIMUM	
DC RESISTANCE IMBALANCE	±.065 OHMS MAXIMUM (CENTER TAP SYMMETRY)	
INPUT - OUTPUT ISOLATION	2250 VDC MINIMUM AT 60 SECONDS	

NOTE: f IS FREQUENCY IN MHZ.

EMITTED COLOR	GREEN	YELLOW
WAVELENGTH (nm)	570 nm	590 nm
BRIGHTNESS (mcd)	13 TYP. @ 20mA	12 TYP. @ 20mA
VIEWING ANGLE	100°	100°
POWER DISSIPATION (Pd)	85 mW MAX	85 mW MAX
DC FORWARD CURRENT	200 mA MAX	200 mA MAX
REVERSE VOLTAGE (Vr)	5.0 V MAX	5.0 V MAX
FORWARD VOLTAGE (Vf)	2.8 V MAX	2.8 V MAX

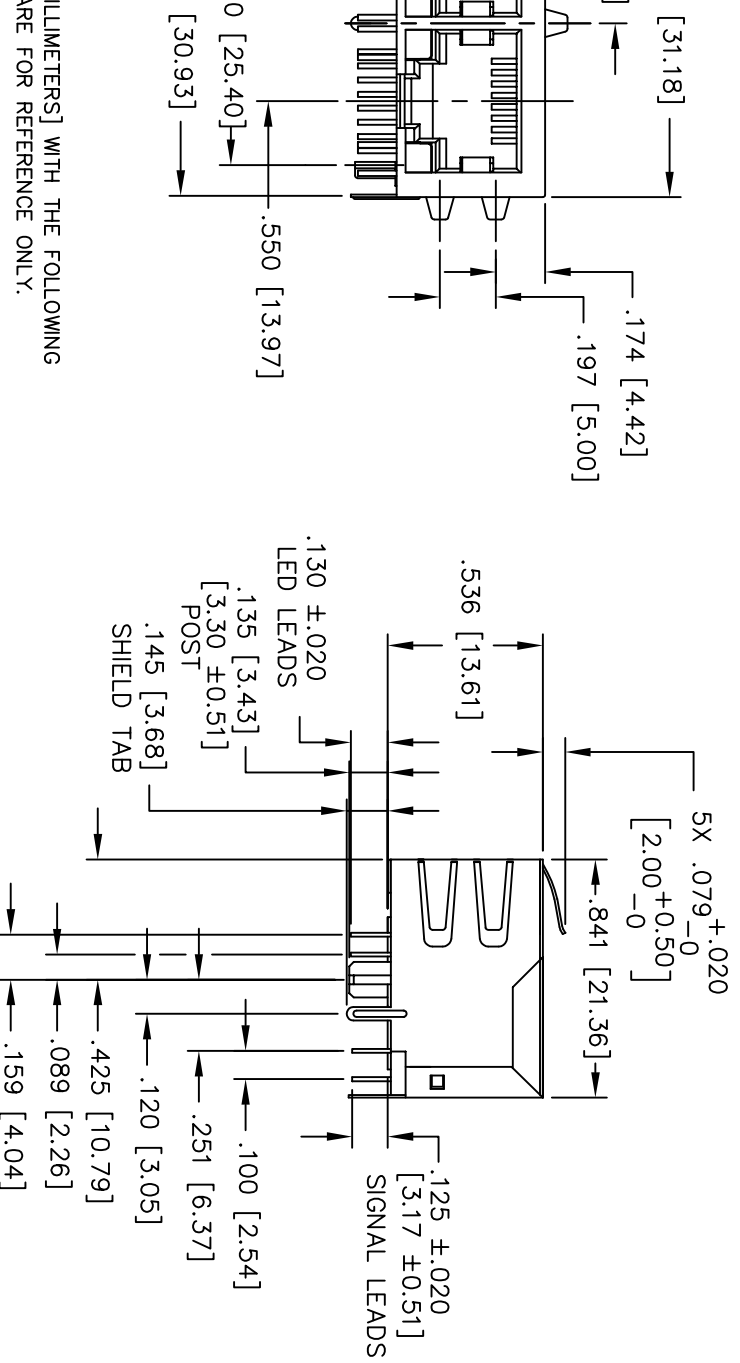
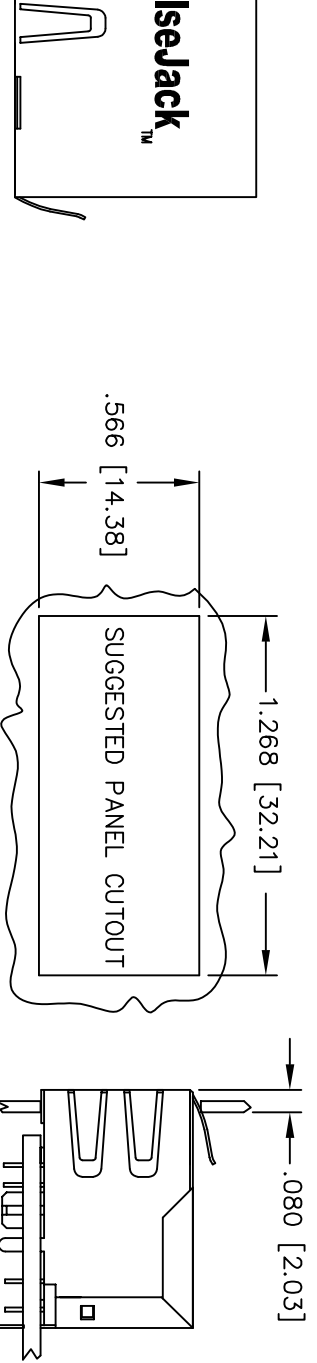
NOTE: PER VENDOR'S SPECIFICATIONS



SCHEMATIC

Corp. All rights reserved. Pulse confidential & proprietary. (02/10/2015)

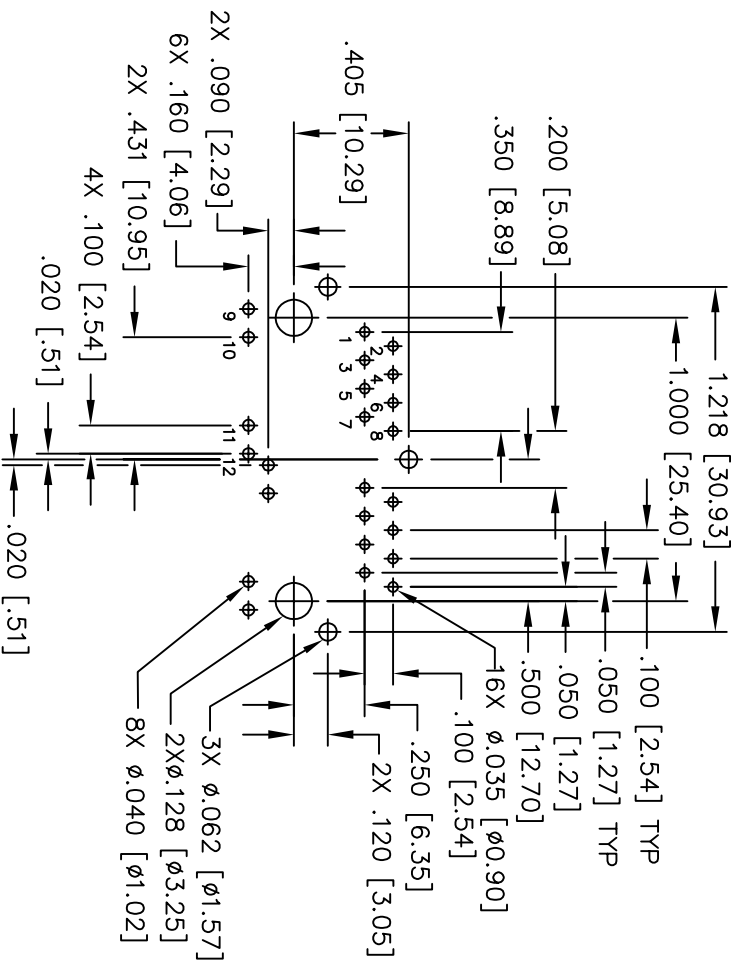
TLA DRAWING	PS DRAWING	SHEET	PART NO.	DATASHEET REV.
JX80-0037NL-11	PS-2063.001-G	2 OF 4	JX80-0037NL	A



DIMENSIONS WITH THE FOLLOWING
 ARE FOR REFERENCE ONLY.

Corp. All rights reserved. Pulse confidential & proprietary. (02/10/2015)

TLA DRAWING	PS DRAWING	SHEET	PART NO.	DATASHEET REV.
JX80-0037NL-11	PS-2063.001-G	3 OF 4	JX80-0037NL	A



SUGGESTED PRINTED CIRCUIT BOARD LAYOUT
VIEWED FROM COMPONENT SIDE
UNLESS OTHERWISE SPECIFIED PCB DIMENSION ARE \pm .003

Corp. All rights reserved. Pulse confidential & proprietary. (02/10/2015)

TLA DRAWING	PS DRAWING	SHEET	PART NO.	DATASHEET REV.
JX80-0037NL-11	PS-2063.001-G	4 OF 4	JX80-0037NL	A

Looking for pricing, stock, or lifecycle information?

Click below to explore more details on WIN SOURCE:

 [View JX80-0037NL on WIN SOURCE](#)

 [Pulse Information](#)

Optimize Your Supply Chain with WIN SOURCE Solutions

-  Global Sourcing Solution
-  Obsolete Management
-  Cost Control Management
-  Shortage Management
-  Alternative Solution
-  Excess Inventory Management