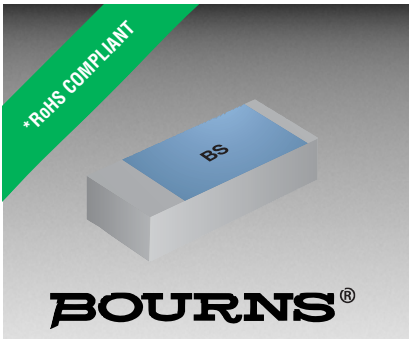




**THE DATASHEET OF  
CHF2010CNP500LXE**





## Features

- DC to 2 GHz
- Terminals for PCB placement
- Low VSWR
- Aluminum Nitride ceramic



This series is  $\text{Sd M}\&\text{R}\&\text{U}$  not recommended for new designs.

## CHF2010CNP Series 10 W Power RF Chip Termination

### General Specifications

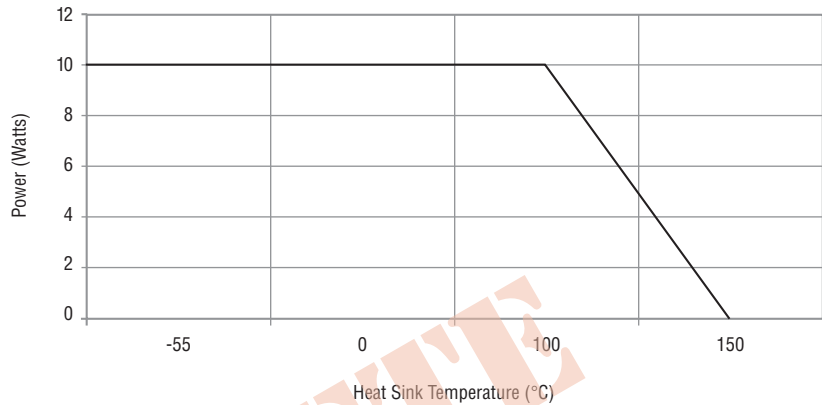
Substrate ..... ALN  
 Resistive Film ..... Thick-Film  
 Terminals ..... PtAg\*  
 Resistance ..... 50  $\Omega$   
 Tolerance .....  $\pm 5\%$   
 Packaging  
 Tape & Reel ..... 2000 pcs./7" reel  
 Bulk ..... 100 pcs./bag

### Absolute Ratings

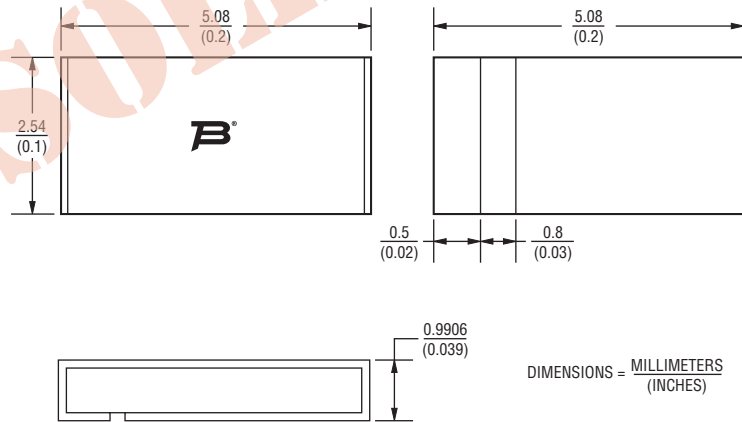
Power ..... 10 W  
 Frequency ..... 2 GHz  
 VSWR ..... 1.2 Maximum

\*Default, other finish options available (see How to Order section).

### Characteristic Curve



### Product Dimensions



### How to Order

**CHF 2010 C N P 500 L Y E**

Model \_\_\_\_\_  
 Size \_\_\_\_\_  
 Version \_\_\_\_\_  
 Substrate \_\_\_\_\_  
 Mount \_\_\_\_\_  
 P = Printed Circuit Board  
 Value \_\_\_\_\_  
 500 = 50 Ohm  
 Function \_\_\_\_\_  
 L = Termination  
 Finish \_\_\_\_\_  
 Y = Pt Ag (Default)  
 Z = Sn Pb  
 X = Ni Au  
 Packaging \_\_\_\_\_  
 E = Tape & Reel (2,000 pcs./7" reel)  
 \_ = Bulk (100 pcs./bag)

\*RoHS Directive 2002/95/EC Jan. 27, 2003 including annex and RoHS Recast 2011/65/EU June 8, 2011. Specifications are subject to change without notice. The device characteristics and parameters in this data sheet can and do vary in different applications and actual device performance may vary over time. Users should verify actual device performance in their specific applications.

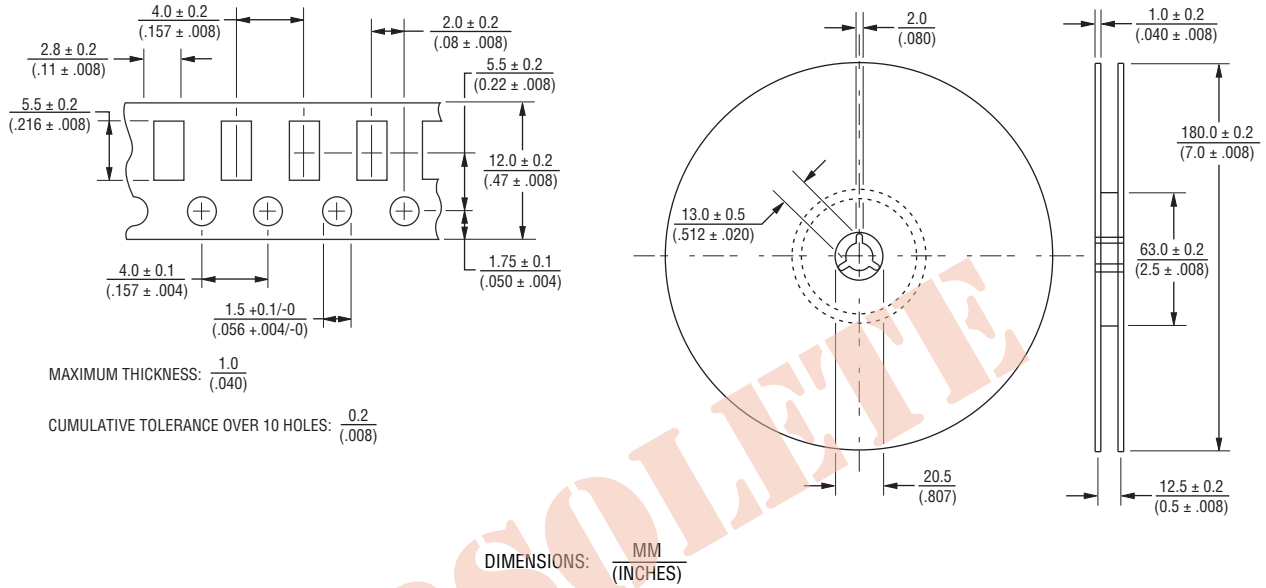
## Applications

- RF amplifiers
- Attenuators
- Antenna feeds

## CHF2010CNP Series 10 W Power RF Chip Termination

**BOURNS®**

### Packaging Dimensions



REV. 12/15

Specifications are subject to change without notice.  
The device characteristics and parameters in this data sheet can and do vary in different applications and actual device performance may vary over time.  
Users should verify actual device performance in their specific applications.

## Looking for pricing, stock, or lifecycle information?

Click below to explore more details on WIN SOURCE:

 [View CHF2010CNP500LXE on WIN SOURCE](#)

 [Bourns Inc. Information](#)

## Optimize Your Supply Chain with WIN SOURCE Solutions

-  Global Sourcing Solution
-  Obsolete Management
-  Cost Control Management
-  Shortage Management
-  Alternative Solution
-  Excess Inventory Management