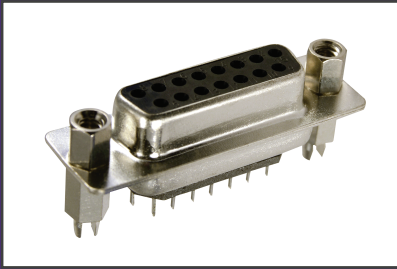




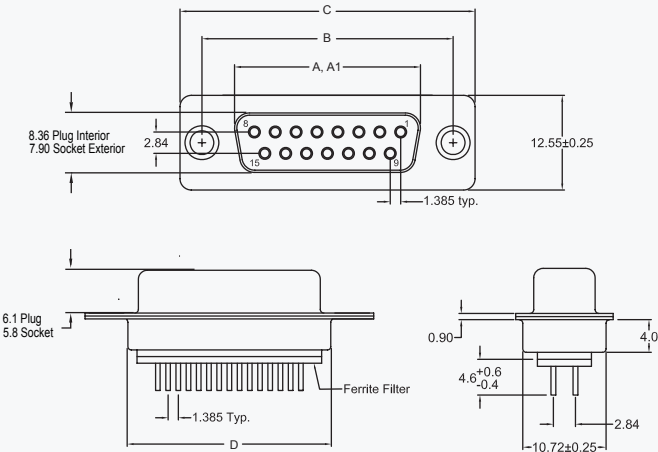
**THE DATASHEET OF  
KF85X-ED-9P-BRJ**





**D-SUBMINIATURE CONNECTORS:**  
**KF85X Series**  
 Vertical PCB Mount Low Profile with Ferrite

**KF85X Series Dimensions**  
 Dimensions in mm



**Ferrite Specifications**

Test Frequency	Edge Hole	Inner Hole
30 Mhz	10-14 Ohms	13-17 Ohms
50 Mhz	12-18 Ohms	15-19 Ohms
100 Mhz	15-20 Ohms	19-24 Ohms

Number of Contacts (Shell Size)	Dimensions (Inch/mm)				
	A	A1	B	C	D
9 (E)	.643	.666	.984	1.213	.755
	16.33	16.92	24.99	30.81	19.18
15 (A)	.971	.994	1.312	1.541	1.083
	24.66	25.25	33.32	39.14	27.51
25 (B)	1.511	1.534	1.852	2.088	1.614
	38.38	38.96	47.04	53.04	41.00
37 (C)	2.159	2.182	2.500	2.729	2.272
	54.84	55.42	63.50	69.32	57.30

A = Exterior of Female Shell (S)  
 A1 = Interior of Male Shell (P)

2D Drawing	IGES	STEP	3D PDF
Solder Profile	CofC RoHS Compliant	CofC REACH Compliant	UL Plastic File
Certificate of Origin	Check Stock	Request a Sample	Send Us An Email

Generated Part Number

Part Number Builder

Series - Shell Type - Pin Type - Contact Option - Contact Type - Mounting Option - Plating Option

**Series**

**KF85X** - D-Subminiature Connector Vertical PCB Termination, High Profile with Ferrite

**Contact Shell Size**

- E - 9 Contacts
- A - 15 Contacts
- B - 25 Contacts
- C - 37 Contacts

**Contact Construction, Pin Type**

- D - Precision Formed

**Contact Type**

- P - Pin Contact (Plug)
- S - Socket Contact (Receptacle)

**Mounting Option**

- Blank - Through Hole
- BR - With #4-40 Tin Plated 11.00mm Long Boardlocks
- BRJ - With #4-40 Tin Plated 11.00mm Long Boardlocks and #4-40 Jackscrews
- K - With #4-40 Bushings
- KJ - With #4-40 Bushings and #4-40 Jackscrews

**Plating Option**

- Blank - Gold Flash
- 30 - 30µ" Gold

Contact Kycon for Other Options

## Looking for pricing, stock, or lifecycle information?

Click below to explore more details on WIN SOURCE:

 [View KF85X-ED-9P-BRJ on WIN SOURCE](#)

 [Kycon, Inc. Information](#)

## Optimize Your Supply Chain with WIN SOURCE Solutions

-  Global Sourcing Solution
-  Obsolete Management
-  Cost Control Management
-  Shortage Management
-  Alternative Solution
-  Excess Inventory Management