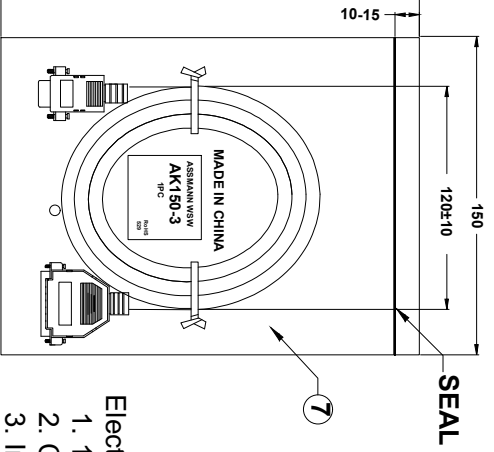
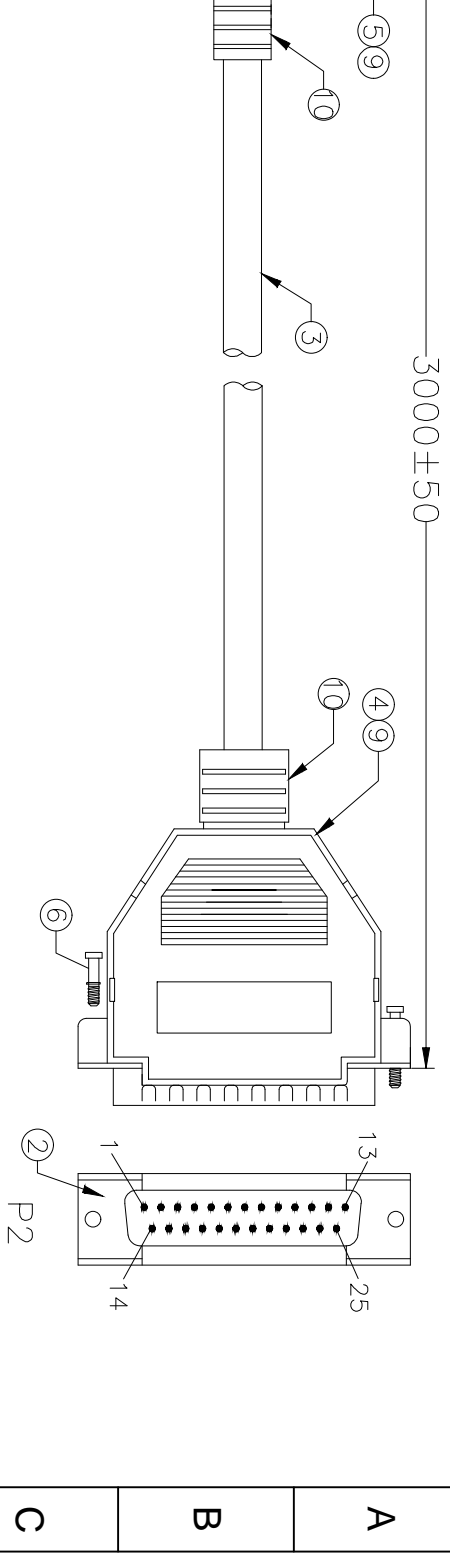




# THE DATASHEET OF AK150-3



3	4	5	6	7
---	---	---	---	---



- Electrical test:**
1. 100% short ,open, miswire test
  2. Conduct resistance: 2Ω max.
  3. Insulation resistance: 5MΩ min.
  4. Hi-Pot: 300V DC



⑩	S/R	5.5g	BEIGE 4SP PVC
⑨	TUBE	50mm	HEAT SHRINK TUBE BLACK OD 1.5MM
⑧	PE BAG	1/10	CLEAR SIZE: 360*380*0.05mm, PRINT BLACK/MADE IN CHINA*+10PC*
⑦	PE BAG	1	CLEAR SIZE: 150*280*0.05mm, PRINT BLACK/MADE IN CHINA*+1PC*
⑥	SCREW	4	SCREW/#4-40UNC. L:12.5mm,nickel plated
⑤	DKN	1	DB9P DKN W/O NUT BEIGE
④	DKN	1	DB25P DKN W/O NUT BEIGE
③	CABLE	1	NOUL 28AWG*7C+D W+AL/MV, BEIGE, OD:5.0mm
②	CONN	1	DB 25PIN MALE PIN G/F SHELL-NIKEL SOLDER TYPE INSULATION COLOR BLUE
①	CONN	1	DB 9PIN FEMALE PIN G/F SHELL-NIKEL SOLDER TYPE INSULATION COLOR BLUE
No.	NAME	QTY	DESCRIPTION

FREE								
ERANCE								
TOL								
TOL								
TOL								
TOL								
Id.	① Drawn	17.11.2014	Joanna			Drawing-No. ASS 7238 CA	rev00	
Modification								
Date				Customer-No.				
Name				ASSMANN WSW-No.				
				AK150-3				
				Drawing-No.				
				ASS 7238 CA				
				Replace				
				Sheet				
3	4	5	6	7				

H	G	F	E	D	C	B	A
---	---	---	---	---	---	---	---

## Looking for pricing, stock, or lifecycle information?

Click below to explore more details on WIN SOURCE:

-  [View AK150-3 on WIN SOURCE](#)
-  [Assmann WSW Components](#) Information

## Optimize Your Supply Chain with WIN SOURCE Solutions

-  Global Sourcing Solution
-  Obsolete Management
-  Cost Control Management
-  Shortage Management
-  Alternative Solution
-  Excess Inventory Management