



**THE DATASHEET OF  
PV2-10RX-XY**

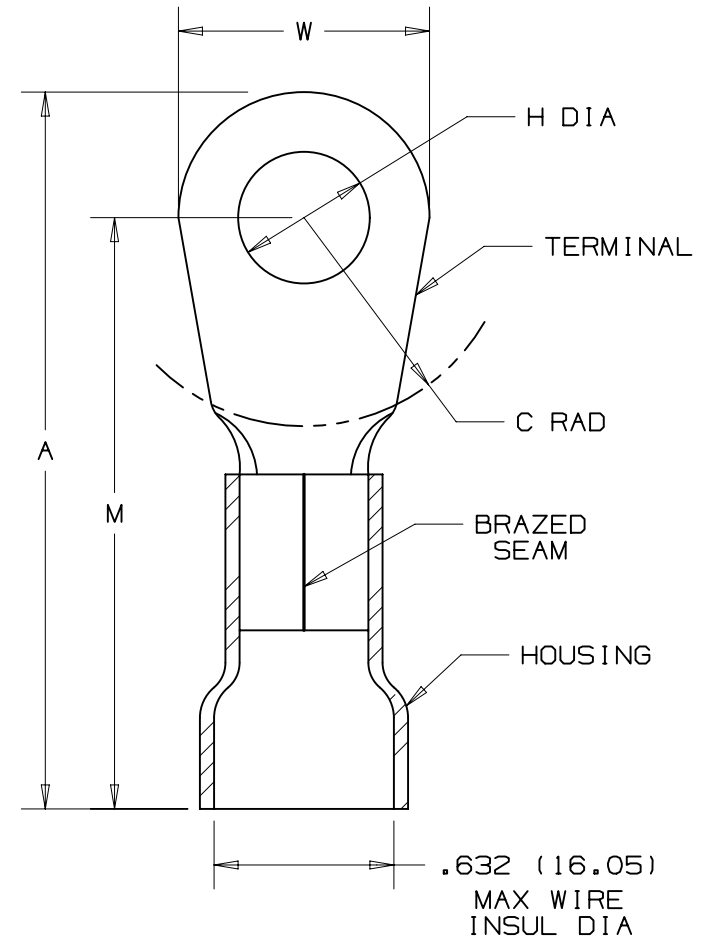


THIS COPY IS PROVIDED ON A RESTRICTED BASIS AND IS NOT TO BE USED IN ANY WAY DETRIMENTAL TO THE INTERESTS OF PANDUIT CORP.

PANDUIT PART NUMBER	STUD SIZE	DIMENSIONS - in.					TOOLS
		A ± .020	W ± .010	C ± .015	M ± .020	H ± .010	
PV2-10RX	#10	1.94 (49.28)	.68 (17.27)	.58 (14.73)	1.60 (40.64)	.20 (5.08)	CT-720 (CD-720PV8-2)
PV2-14RX	1/4"	1.94 (49.28)	.68 (17.27)	.58 (14.73)	1.60 (40.64)	.27 (6.86)	
PV2-56RX	5/16"	1.94 (49.28)	.68 (17.27)	.58 (14.73)	1.60 (40.64)	.33 (8.38)	
PV2-38RX	3/8"	1.94 (49.28)	.68 (17.27)	.58 (14.73)	1.60 (40.64)	.39 (9.91)	CT-2600 (CD-2600-PV2)
PV2-12RX	1/2"	2.03 (51.56)	.86 (21.84)	.58 (14.73)	1.60 (40.64)	.52 (13.21)	

NOTES:

- cULus LISTED FOR:
  - A. 600V MAX VOLTAGE RATING
  - B. 221° F (105° C) MAX TEMP RATING
  - C. #2 AWG STRANDED COPPER WIRE
- SEE WWW.PANDUIT.COM FOR PACKAGE QUANTITIES
- MATERIAL:
  - A. STAMPING - .060" (1.52) THK, COPPER TIN PLATED
  - B. HOUSING - VINYL, RED
- DIMENSIONS IN BRACKETS ARE IN MILLIMETERS
- WIRE STRIP LENGTH: 1/2 + 1/32 [ 12.7 + .8 ]  
- 0 - 0



TITLE #2 BARREL VINYL INSULATED RING TONGUE .632 (16.05) MAX. WIRE INSUL. DIAMETER		CUSTOMER DRAWING	
ITEM REVISION NAME N41220BA_A41220/07		<b>PANDUIT</b>	
DATASET FILE NAME N41220BA_A41220/07			
UNLESS OTHERWISE SPECIFIED, DIMENSIONAL TOLERANCES ARE: IN [ mm ]		MATERIAL: SEE NOTE 3	
.X ± .XX ±		.XXX ± ANGLES ±	
THIRD ANGLE PROJECTION		DRAWING NUMBER: A41220	
DRAWN BY DAW	DATE	CHK	SCALE NONE
SHT 1 OF 1		SIZE A	

REV	DATE	BY	CHK	APR	DESCRIPTION	ECN
07	06/14	MBY	JHNU	RGB	REVISED UL LOGO TO cULus LOGO, REVISED NOTES, MOVED TOOLS TO TABLE, UPDATED BORDER	N41220-A41220

D101000A/16

## Looking for pricing, stock, or lifecycle information?

Click below to explore more details on WIN SOURCE:

 [View PV2-10RX-XY on WIN SOURCE](#)

 [Panduit Corp Information](#)

## Optimize Your Supply Chain with WIN SOURCE Solutions

-  Global Sourcing Solution
-  Obsolete Management
-  Cost Control Management
-  Shortage Management
-  Alternative Solution
-  Excess Inventory Management