

Product Specifications

Part Numbers Information

Electrical Specifications

Voltage Rating (100mA -10A): 250VAC

Standards

1A-15A
 Tested to UL 248-14 Standard. File E197390
 Tested to CSA C22.2 No.248.14 Standard. File E197390

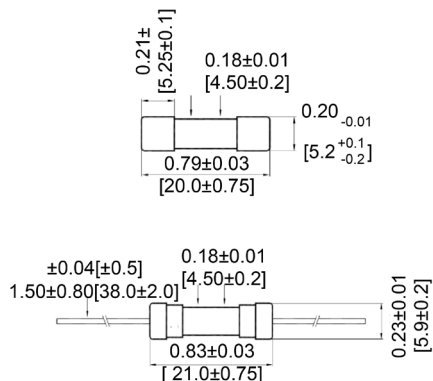
Interrupting Rating

10kA @125VAC (1A-15A)
 35A @250VAC (1A)
 100A @250VAC (1.25A-3.5A)
 200A @250VAC (3.75A-10A)
 750A @250VAC (10.1A-15A)
 200A @250VAC (15.1A-20A)

Material Specifications

Body Material: Ceramic

Mechanical Dimensions: Inches [mm]

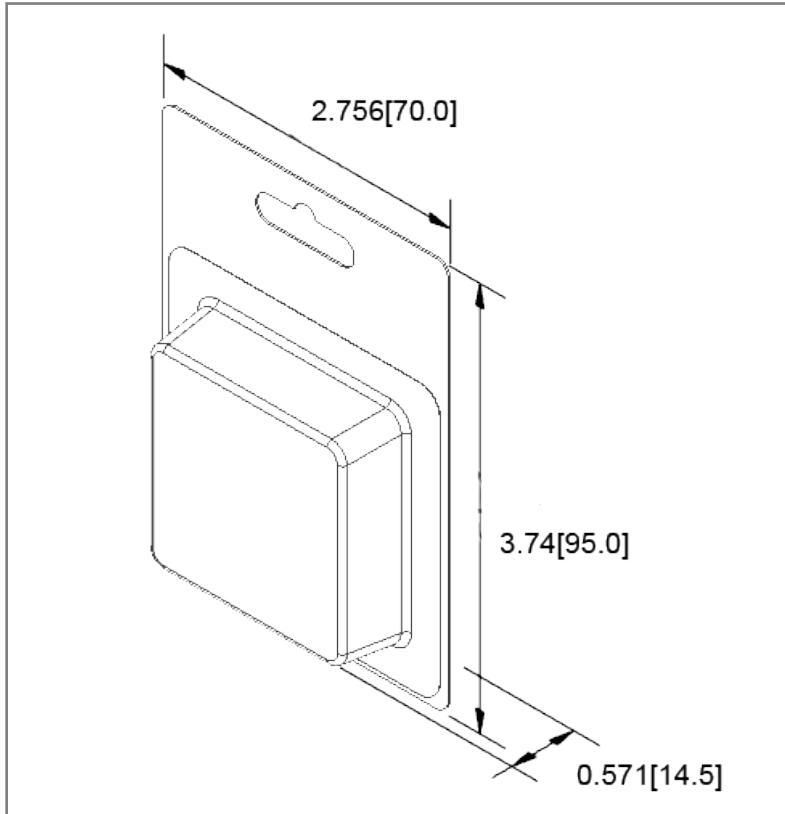


Cartridge P/N	Axial Lead P/N	Ampere Rating	I ² T Reference (A ² Sec)
TCC-1A	TCC-P-1A	1A	1.152
TCC-1.25A	TCC-P-1.25A	1.25A	2.325
TCC-1.5A	TCC-P-1.5A	1.5A	4.4384
TCC-1.6A	TCC-P-1.6A	1.6A	5.2838
TCC-2A	TCC-P-2A	2A	10.656
TCC-2.5A	TCC-P-2.5A	2.5A	5.1183
TCC-3A	TCC-P-3A	3A	9.837
TCC-3.15A	TCC-P-3.15A	3.15A	12.145
TCC-4A	TCC-P-4A	4A	24.023
TCC-5A	TCC-P-5A	5A	35.087
TCC-6A	TCC-P-6A	6A	48.413
TCC-6.3A	TCC-P-6.3A	6.3A	52.411
TCC-7A	TCC-P-7A	7A	61.74
TCC-8A	TCC-P-8A	8A	75.422
TCC-10A	TCC-P-10A	10A	174.02
TCC-12A	TCC-P-12A	12A	274.65
TCC-15A	TCC-P-15A	15A	534.24
TCC-20A	TCC-P-20A	20A	959.4

Time vs Percent of Rated Current

% of Rated Current	Current Rating	Min Hold Time	Max Hold Time
100%	1A-20A	4 Hrs	-
135%	1A-20A	-	1Hr
200%	1A-20A	2 sec	120 sec

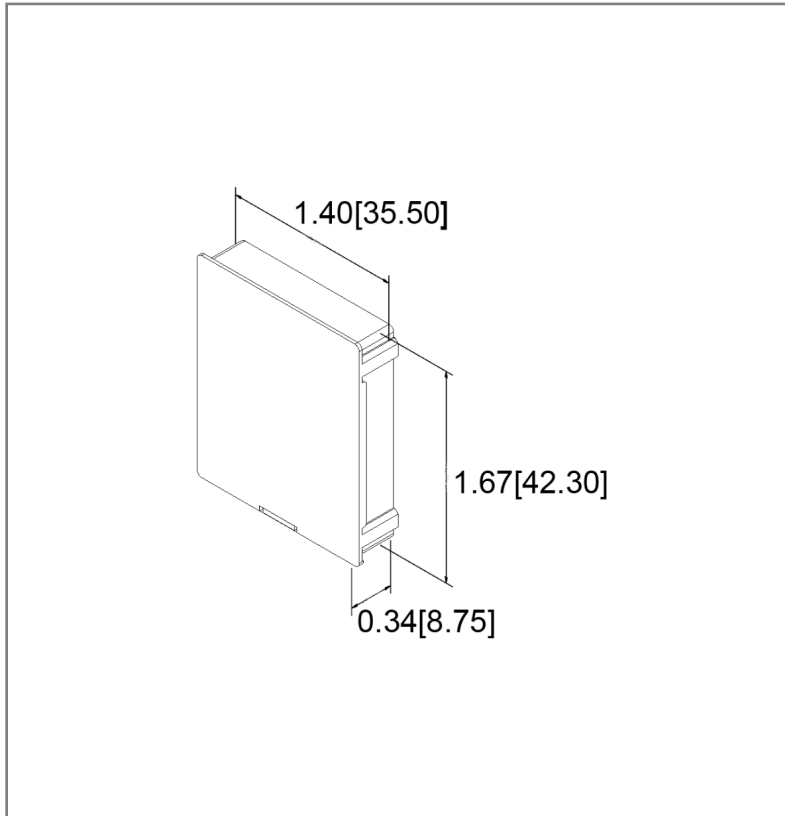
Blister Pack: Inches [mm]



Retail Pack Part Number Information

Ampere Rating	Retail Pack # Blister Card (5PCS)	Retail Pack # Pill Box (5PCS)
1A	TCC-1A-BP	TCC-1A-BX
1.5A	TCC-1.5A-BP	TCC-1.5A-BX
1.6A	TCC-1.6A-BP	TCC-1.6A-BX
2A	TCC-2A-BP	TCC-2A-BX
2.5A	TCC-2.5A-BP	TCC-2.5A-BX
3.15A	TCC-3.15A-BP	TCC-3.15A-BX
4A	TCC-4A-BP	TCC-4A-BX
6.3A	TCC-6.3A-BP	TCC-6.3A-BX
7A	TCC-7A-BP	TCC-7A-BX
8A	TCC-8A-BP	TCC-8A-BX
10A	TCC-10A-BP	TCC-10A-BX
12A	TCC-12A-BP	TCC-12A-BX
15A	TCC-15A-BP	TCC-15A-BX
20A	TCC-20A-BP	TCC-20A-BX

Pill Box: Inches [mm]



* Retail packs are for cartridge style fuses only

Rev Date of issue Revision Notes

Designed Approved

E	03-07-2024	Initial Drawing	RC	OF
---	------------	-----------------	----	----

Looking for pricing, stock, or lifecycle information?

Click below to explore more details on WIN SOURCE:

 [View TCC-20A on WIN SOURCE](#)

 [OptiFuse Information](#)

Optimize Your Supply Chain with WIN SOURCE Solutions

-  Global Sourcing Solution
-  Obsolete Management
-  Cost Control Management
-  Shortage Management
-  Alternative Solution
-  Excess Inventory Management