

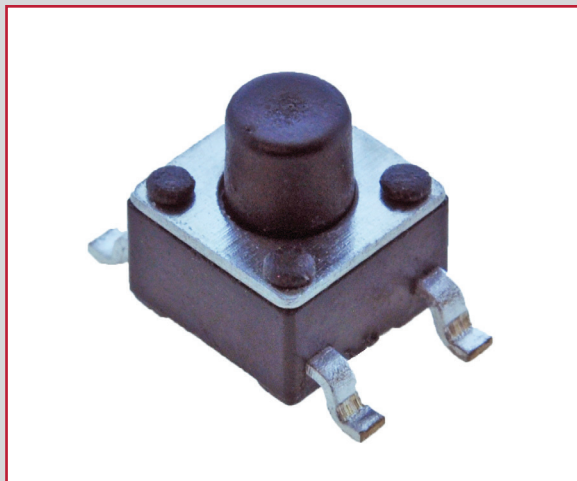


**THE DATASHEET OF
TL3305AF160QG**



TL3305 SERIES TACT SWITCH

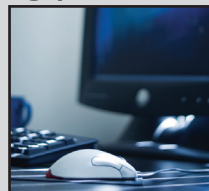
ANTI-VANDAL SWITCHES
 DETECTOR SWITCHES
 DIP SWITCHES
 KEYLOCK SWITCHES
 NAVIGATION SWITCHES
 PUSHBUTTON SWITCHES
 ROCKER SWITCHES
 ROTARY SWITCHES
 SLIDE SWITCHES
 SNAP ACTION SWITCHES
TACTILE SWITCHES
 TOGGLE SWITCHES
 CAP OPTIONS



APPLICATIONS / MARKETS



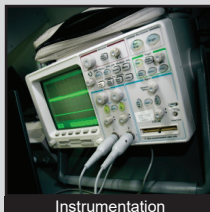
Wearable Technology



Computer Peripherals



Consumer Electronics



Instrumentation



Telecommunication



Medical Equipment

RoHS

SPECIFICATIONS

Electrical Rating: 50mA @ 12VDC
Electrical Life:
 160 gf = 500,000 Cycles
 260 gf = 200,000 Cycles
Contact Resistance: 100mΩ Max
Insulation Resistance: 100MΩ Min. at 100VDC
Dielectric Strength: 250VAC for 1 min.
Operating Temperature: -20°C to 70°C
Storage Temperature: -30°C to 80°C
Operating Force: 160 gf, 260 gf
Travel: 0.20mm
Contact Arrangement: SPST, normally open

FEATURES & BENEFITS

- Ultra-miniature 4.5 x 4.5mm
- Multiple actuator options
- Surface mount
- Multiple operating force options

PART NUMBER CONFIGURATOR

Series	Model	Actuator Option	Actuation Force	Contact Material	Termination
<input type="text" value="TL"/>	<input type="text" value="3305"/>	<input type="text" value="A"/>	<input type="text" value="F160"/> <input type="text" value="F260"/>	<input type="text" value="Q"/>	<input type="text" value="G"/>
		A - 3.8mm B - 5.0mm C - 7.0mm	F160 - 160 gf F260 - 260 gf	Q - Silver	G - Gullwing

Specifications subject to change without notice 9.28.2022



E-SWITCH®

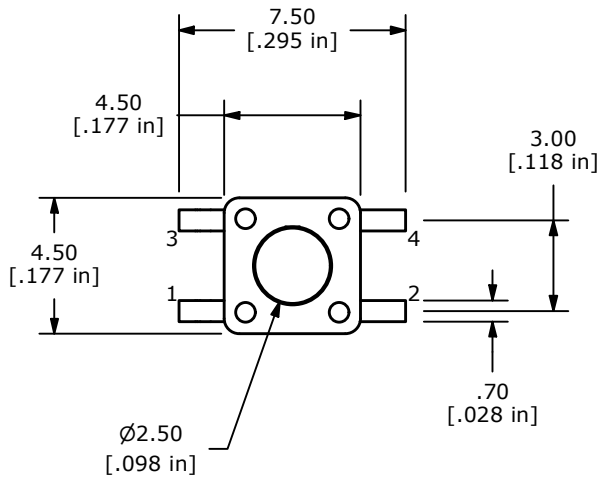
www.e-switch.com

800.867.2717

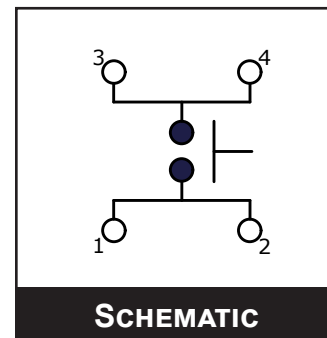
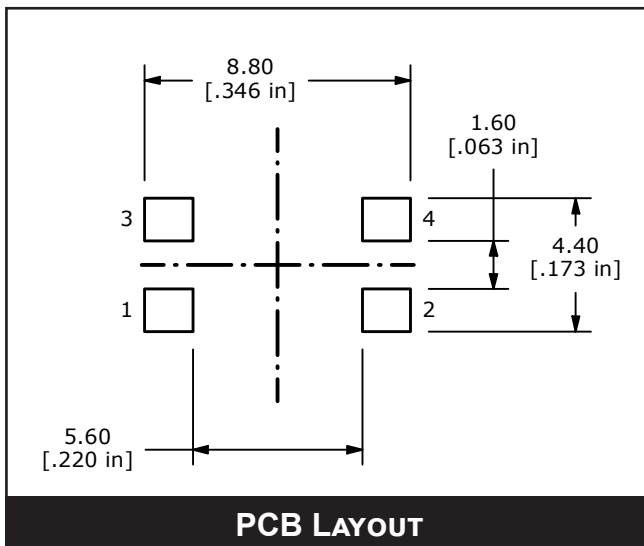
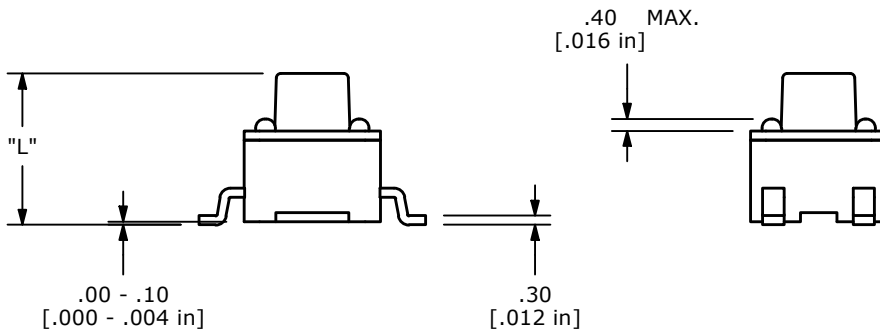
1

TL3305 SERIES TACT SWITCH

BODY DIMENSIONS



ACTUATOR OPTION	"L" DIMENSION
A	3.80
B	5.00
C	7.00



ANTI-VANDAL SWITCHES
 DETECTOR SWITCHES
 DIP SWITCHES
 KEYLOCK SWITCHES
 NAVIGATION SWITCHES
 PUSHBUTTON SWITCHES
 ROCKER SWITCHES
 ROTARY SWITCHES
 SLIDE SWITCHES
 SNAP ACTION SWITCHES
TACTILE SWITCHES
 TOGGLE SWITCHES
 CAP OPTIONS



Looking for pricing, stock, or lifecycle information?

Click below to explore more details on WIN SOURCE:

 [View TL3305AF160QG on WIN SOURCE](#)

 [E-Switch Information](#)

Optimize Your Supply Chain with WIN SOURCE Solutions

-  Global Sourcing Solution
-  Obsolete Management
-  Cost Control Management
-  Shortage Management
-  Alternative Solution
-  Excess Inventory Management