

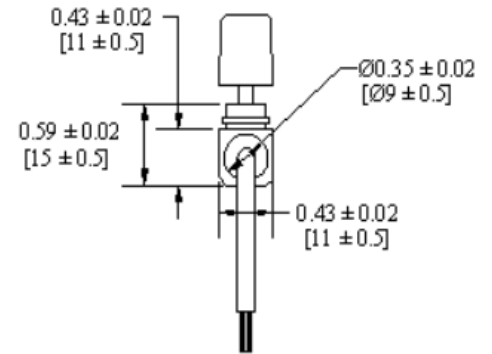
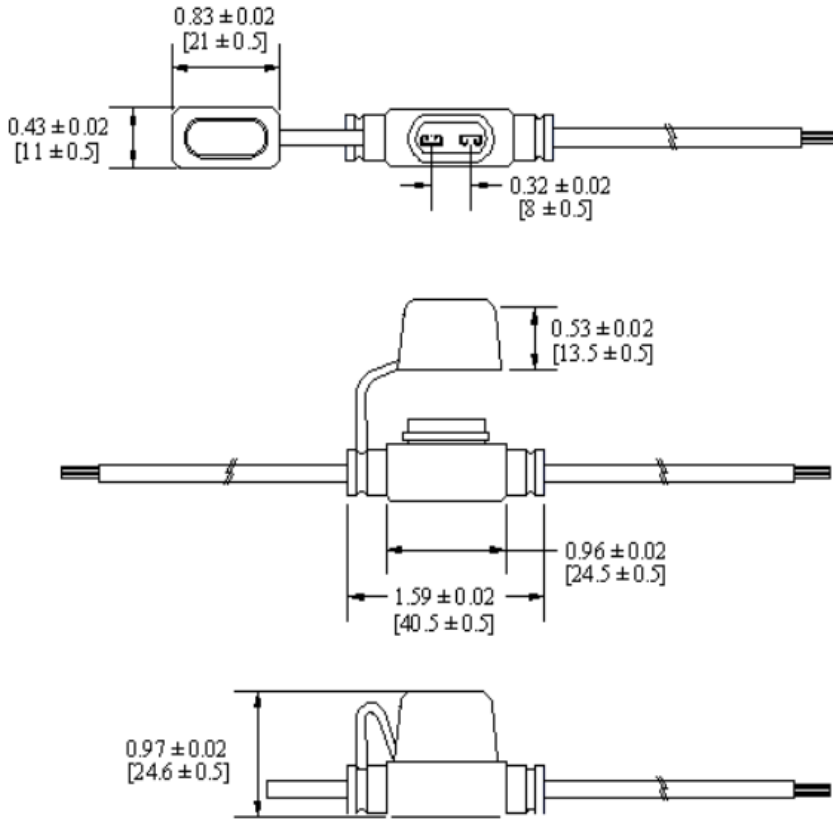


**THE DATASHEET OF
LPM-01B-18B**

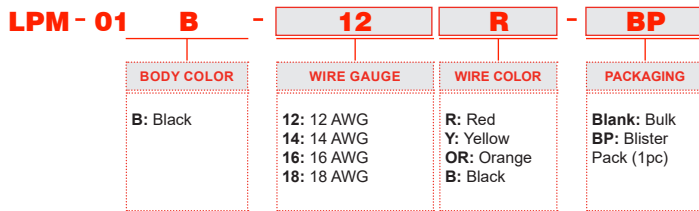


Mechanical Dimensions: Inches [mm]

Tolerances ± 0.012 [0.3] Unless Otherwise Specified



Part Numbers Information



Wire Gauge	Max Amp.
12 AWG	30A
14 AWG	20A
16 AWG	15A
18 AWG	10A

Electrical Specifications

Voltage Rating	125VDC
Temperature Rating	-40° C to 85° C

Material Specifications

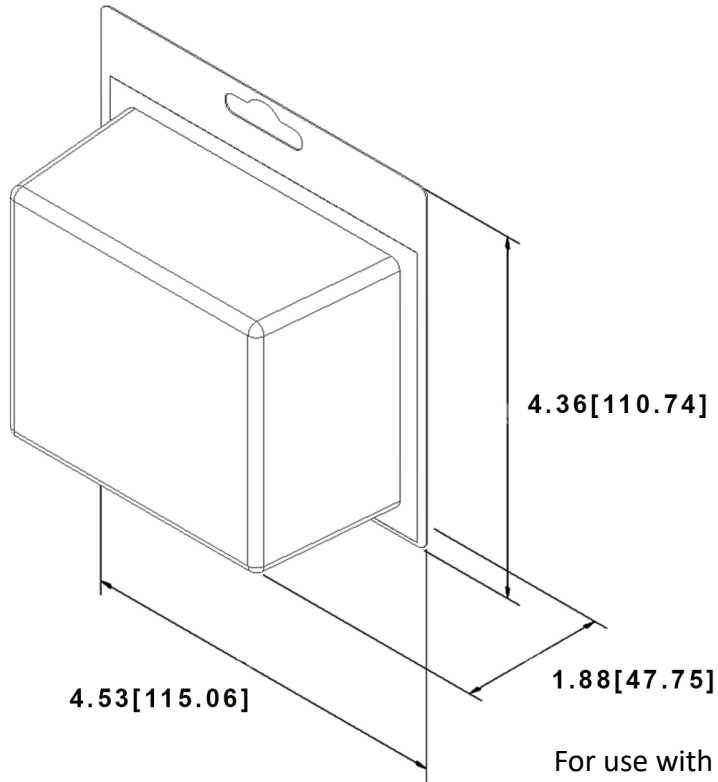
For use with ANM and APM (Miniature) Blade Fuses

For custom inquiries please contact the factory

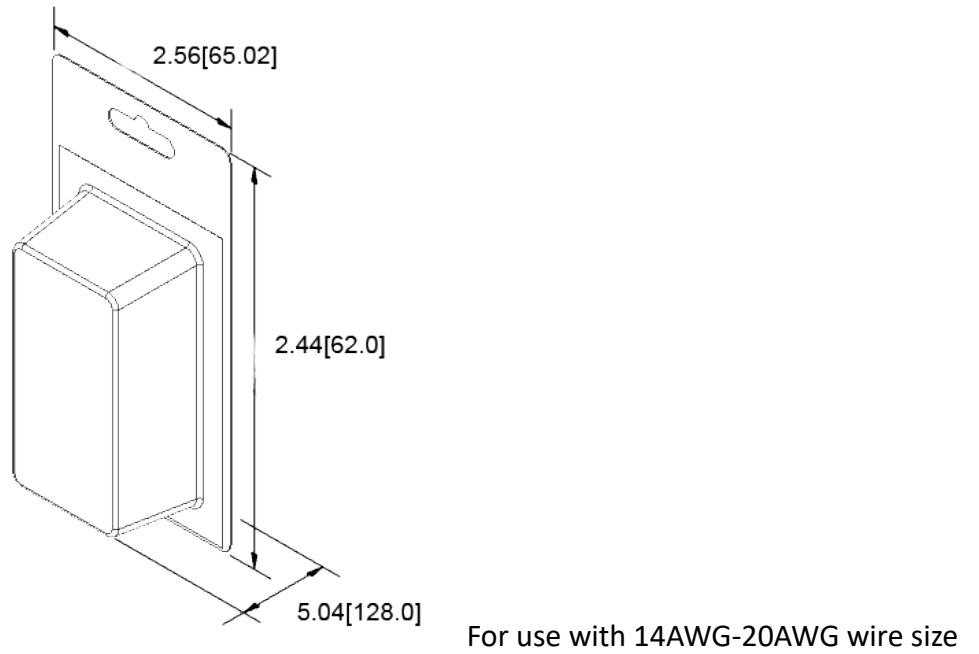
Body Material	PVC (UL94V-0)
Contact Material	Brass
Wire Type	UL1015 rated to FT1 (VW1) – Stranded
Wire Length	4 inches
Ingress Protection	IP65

Retail Pack: Inches [mm]

Retail Pack #



Retail Pack: Inches [mm]



Rev	Date of issue	Revision Notes	Designed	Approved
D	07-11-2024	Updated Voltage Rating	RC	OF

Looking for pricing, stock, or lifecycle information?

Click below to explore more details on WIN SOURCE:

 [View LPM-01B-18B on WIN SOURCE](#)

 [OptiFuse Information](#)

Optimize Your Supply Chain with WIN SOURCE Solutions

-  Global Sourcing Solution
-  Obsolete Management
-  Cost Control Management
-  Shortage Management
-  Alternative Solution
-  Excess Inventory Management