



**THE DATASHEET OF  
ADUM6020-3BRIZ-RL**



## Low Emission, 5 kV Isolated DC-to-DC Converters

### FEATURES

- ▶ isoPower integrated, isolated dc-to-dc converter
- ▶ 100 mA output current for ADuM6020
- ▶ 60 mA output current for ADuM6028
- ▶ AEC-Q100 qualified for automotive applications
- ▶ Meets CISPR22 Class B emissions limits at full load on a 2-layer PCB
- ▶ 16-lead SOIC\_IC package with 8.3 mm minimum creepage
- ▶ 8-lead SOIC\_IC package with 8.3 mm minimum creepage
- ▶ High temperature operation: 125°C maximum
- ▶ Safety and regulatory approvals
  - ▶ UL recognition: 5000 V rms for 1 minute per UL 1577
  - ▶ CSA certification per IEC 62368-1, IEC 61010-1, and IEC 60601-1
  - ▶ TÜV SÜD certification per EN IEC 62368-1
  - ▶ VDE certificate of conformity
    - ▶ VDE V 0884-10
    - ▶  $V_{IORM} = 565$  V peak
  - ▶ CQC certification per GB4943.1-2011

### APPLICATIONS

- ▶ RS-485/RS-422/CAN transceiver power
- ▶ Power supply start-up bias and gate drives
- ▶ Isolated sensor interfaces
- ▶ Automotive on-board charger (OBC) and dc to dc
- ▶ Industrial PLCs

### GENERAL DESCRIPTION

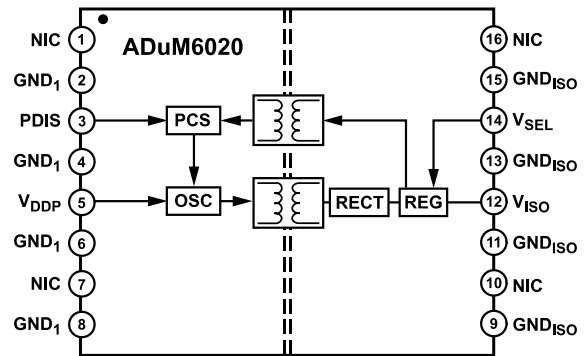
The ADuM6020/ADuM6028<sup>1</sup> are isoPower®, integrated, isolated dc-to-dc converters. Based on the Analog Devices, Inc., iCoupler® technology, these dc-to-dc converters provide regulated, isolated power that is below CISPR22 Class B limits at full load on a 2-layer printed circuit board (PCB) with ferrites. Common voltage combinations and the associated current output levels are shown in Table 1 through Table 4.

The ADuM6020/ADuM6028 eliminate the need to design and build isolated dc-to-dc converters in applications up to 500 mW. The iCoupler chip scale transformer technology is used for the magnetic components of the dc-to-dc converter. The result is a small form factor, isolated solution.

The ADuM6020/ADuM6028 isolated dc-to-dc converters provide two different package variants: the ADuM6020 in a wide-body, 16-lead SOIC\_IC package, and the ADuM6028 in the space-saving, 8-lead, wide-body SOIC\_IC package. For 5 V input operations,

<sup>1</sup> Protected by U.S. Patents 5,952,849; 6,873,065; 6,903,578; and 7,075,329. Other patents are pending.

### FUNCTIONAL BLOCK DIAGRAMS



NIC = NO INTERNAL CONNECTION. LEAVE THIS PIN FLOATING.

Figure 1. ADuM6020 Functional Block Diagram

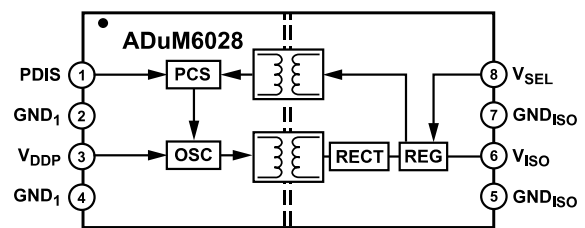


Figure 2. ADuM6028 Functional Block Diagram

use the ADuM6020-5BRIZ and the ADuM6028-5BRIZ. For 3.3 V input to 3.3 V output operations, use the ADuM6020-3BRIZ and the ADuM6028-3BRIZ. See the Pin Configuration and Function Descriptions section and the Ordering Guide for more information.

**TABLE OF CONTENTS**

Features.....	1	Recommended Operating Conditions.....	10
Applications.....	1	Absolute Maximum Ratings.....	11
Functional Block Diagrams.....	1	ESD Caution.....	11
General Description.....	1	Pin Configuration and Function Descriptions.....	12
Specifications.....	3	Truth Table.....	12
Electrical Characteristics—5 V Primary		Typical Performance Characteristics.....	13
Input Supply/5 V Secondary Isolated		Theory of Operation.....	16
Supply.....	3	Applications Information.....	17
Electrical Characteristics—5 V Primary		PCB Layout.....	17
Input Supply/3.3 V Secondary Isolated		Thermal Analysis.....	18
Supply.....	4	EMI Considerations.....	18
Electrical Characteristics—3.3 V Primary		Insulation Lifetime.....	18
Input Supply/3.3 V Secondary Isolated		Start-Up Behavior and Power Sequencing.....	19
Supply.....	5	Outline Dimensions.....	21
Regulatory Approvals.....	7	Ordering Guide.....	21
Insulation and Safety Related Specifications.....	7	Evaluation Boards.....	22
Package Characteristics.....	8	Automotive Products.....	22
DIN V VDE V 0884-10 (VDE V 0884-10)			
Insulation Characteristics.....	8		

**REVISION HISTORY****11/2023—Rev. D to Rev. E**

Changes to Features Section.....	1
Changes to Table 7.....	7
Updated Outline Dimensions.....	21

**12/2022—Rev. C to Rev. D**

Changes to Ordering Guide.....	21
Changes to Automotive Products Section.....	22

**3/2022—Rev. B to Rev. C**

Changes to Features Section.....	1
Changes to Applications Section.....	1
Changes to General Description Section.....	1
Added Undervoltage Lockout Parameter, Table 1 and Table 2.....	3
Added Undervoltage Lockout Parameter, Table 3 and Table 4.....	4
Added Undervoltage Lockout Parameter, Table 5 and Table 6.....	5
Changes to Table 7.....	7
Changes to Table 14.....	10
Change to Note 2, Table 15.....	11
Changes to Table 17 and Table 18.....	12
Changes to Theory of Operation Section.....	16
Changes to Figure 23, Figure 24, Table 20, Figure 25, and Figure 26.....	17
Added Start-Up Behavior and Power Sequencing Section.....	19
Changes to Ordering Guide.....	21
Added Automotive Products Section.....	22

## SPECIFICATIONS

## ELECTRICAL CHARACTERISTICS—5 V PRIMARY INPUT SUPPLY/5 V SECONDARY ISOLATED SUPPLY

All typical specifications are at  $T_A = 25^\circ\text{C}$ ,  $V_{DDP} = V_{ISO} = 5\text{ V}$ . Minimum and maximum specifications apply over the entire recommended operation range, which is  $4.5\text{ V} \leq V_{DDP} \leq 5.5\text{ V}$ ,  $4.5\text{ V} \leq V_{ISO} \leq 5.5\text{ V}$ , and  $-40^\circ\text{C} \leq T_A \leq +125^\circ\text{C}$ , unless otherwise noted.

Table 1. ADuM6020-5BRIZ DC-to-DC Converter Static Specifications

Parameter	Symbol	Min	Typ	Max	Unit	Test Conditions/Comments
DC-TO-DC CONVERTER SUPPLY						
Setpoint	$V_{ISO}$	4.75	5.0	5.25	V	$V_{ISO}$ output current ( $I_{ISO}$ ) = 10 mA
Line Regulation	$V_{ISO}$ (LINE)		2		mV/V	$I_{ISO} = 50\text{ mA}$ , $V_{DDP} = 4.5\text{ V}$ to $5.5\text{ V}$
Load Regulation <sup>1</sup>	$V_{ISO}$ (LOAD)		1	5	%	$I_{ISO} = 10\text{ mA}$ to $90\text{ mA}$
Output Ripple <sup>1</sup>	$V_{ISO}$ (RIP)		75		mV p-p	20 MHz bandwidth, bypass output capacitance ( $C_{BO}$ ) = $0.1\ \mu\text{F}$    $10\ \mu\text{F}$ , $I_{ISO} = 90\text{ mA}$
Output Noise <sup>1</sup>	$V_{ISO}$ (NOISE)		200		mV p-p	$C_{BO} = 0.1\ \mu\text{F}$    $10\ \mu\text{F}$ , $I_{ISO} = 90\text{ mA}$
Switching Frequency	$f_{OSC}$		180		MHz	
Pulse-Width Modulation (PWM) Frequency	$f_{PWM}$		625		kHz	
Output Supply Current <sup>1</sup>	$I_{ISO}$ (MAX)	50			mA	$4.75\text{ V} < V_{ISO} < 5.25\text{ V}$
		100			mA	$4.5\text{ V} < V_{ISO} < 5.25\text{ V}$
Efficiency at $I_{ISO}$ (MAX)			33		%	$I_{ISO} = 100\text{ mA}$ , $T_A = 25^\circ\text{C}$
$V_{DDP}$ Supply Current						
No $V_{ISO}$ Load	$I_{DDP}$ (Q)		8	25	mA	
Full $V_{ISO}$ Load	$I_{DDP}$ (MAX)		310		mA	
Undervoltage Lockout						
$V_{DDP}$						
Rising Threshold		3.6	4.1	4.4	V	
Falling Threshold		2.8	3.3	4.2	V	
$V_{ISO}$						
Rising Threshold			5.1		V	
Falling Threshold			2.48		V	
Thermal Shutdown						
Shutdown Temperature			154		$^\circ\text{C}$	
Thermal Hysteresis			10		$^\circ\text{C}$	

<sup>1</sup> Maximum  $V_{ISO}$  output current is derated by  $1.75\text{ mA}/^\circ\text{C}$  for  $T_A > 85^\circ\text{C}$ .

Table 2. ADuM6028-5BRIZ DC-to-DC Converter Static Specifications

Parameter	Symbol	Min	Typ	Max	Unit	Test Conditions/Comments
DC-TO-DC CONVERTER SUPPLY						
Setpoint	$V_{ISO}$	4.75	5.0	5.25	V	$I_{ISO} = 10\text{ mA}$
Line Regulation	$V_{ISO}$ (LINE)		2		mV/V	$I_{ISO} = 30\text{ mA}$ , $V_{DDP} = 4.5\text{ V}$ to $5.5\text{ V}$
Load Regulation <sup>1</sup>	$V_{ISO}$ (LOAD)		1	5	%	$I_{ISO} = 6\text{ mA}$ to $54\text{ mA}$
Output Ripple <sup>1</sup>	$V_{ISO}$ (RIP)		75		mV p-p	20 MHz bandwidth, $C_{BO} = 0.1\ \mu\text{F}$    $10\ \mu\text{F}$ , $I_{ISO} = 54\text{ mA}$
Output Noise <sup>1</sup>	$V_{ISO}$ (NOISE)		200		mV p-p	$C_{BO} = 0.1\ \mu\text{F}$    $10\ \mu\text{F}$ , $I_{ISO} = 54\text{ mA}$
Switching Frequency	$f_{OSC}$		180		MHz	
PWM Frequency	$f_{PWM}$		625		kHz	
Output Supply Current <sup>1</sup>	$I_{ISO}$ (MAX)	60			mA	$4.75\text{ V} < V_{ISO} < 5.25\text{ V}$
Efficiency at $I_{ISO}$ (MAX)			33		%	$I_{ISO} = 60\text{ mA}$ , $T_A = 25^\circ\text{C}$
$V_{DDP}$ Supply Current						
No $V_{ISO}$ Load	$I_{DDP}$ (Q)		8	25	mA	

## SPECIFICATIONS

Table 2. ADuM6028-5BRIZ DC-to-DC Converter Static Specifications (Continued)

Parameter	Symbol	Min	Typ	Max	Unit	Test Conditions/Comments
Full $V_{ISO}$ Load	$I_{DDP (MAX)}$		190		mA	
Undervoltage Lockout						
$V_{DDP}$						
Rising Threshold		3.6	4.1	4.4	V	
Falling Threshold		2.8	3.3	4.2	V	
$V_{ISO}$						
Rising Threshold			5.1		V	
Falling Threshold			2.48		V	
Thermal Shutdown						
Shutdown Temperature			154		°C	
Thermal Hysteresis			10		°C	

<sup>1</sup> Maximum  $V_{ISO}$  output current is derated by 1 mA/°C for  $T_A > 85^\circ\text{C}$ .

## ELECTRICAL CHARACTERISTICS—5 V PRIMARY INPUT SUPPLY/3.3 V SECONDARY ISOLATED SUPPLY

All typical specifications are at  $T_A = 25^\circ\text{C}$ ,  $V_{DDP} = 5.0\text{ V}$ ,  $V_{ISO} = 3.3\text{ V}$ . Minimum and maximum specifications apply over the entire recommended operation range, which is  $4.5\text{ V} \leq V_{DDP} \leq 5.5\text{ V}$ ,  $3.0\text{ V} \leq V_{ISO} \leq 3.6\text{ V}$ , and  $-40^\circ\text{C} \leq T_A \leq +125^\circ\text{C}$ , unless otherwise noted.

Table 3. ADuM6020-5BRIZ DC-to-DC Converter Static Specifications

Parameter	Symbol	Min	Typ	Max	Unit	Test Conditions/Comments
DC-TO-DC CONVERTER SUPPLY						
Setpoint	$V_{ISO}$	3.135	3.3	3.465	V	$I_{ISO} = 10\text{ mA}$
Line Regulation	$V_{ISO (LINE)}$		2		mV/V	$I_{ISO} = 50\text{ mA}$ , $V_{DDP} = 3.0\text{ V to } 3.6\text{ V}$
Load Regulation <sup>1</sup>	$V_{ISO (LOAD)}$		1	5	%	$I_{ISO} = 10\text{ mA to } 90\text{ mA}$
Output Ripple <sup>1</sup>	$V_{ISO (RIP)}$		50		mV p-p	20 MHz bandwidth, $C_{BO} = 0.1\ \mu\text{F}  10\ \mu\text{F}$ , $I_{ISO} = 90\text{ mA}$
Output Noise <sup>1</sup>	$V_{ISO (NOISE)}$		130		mV p-p	$C_{BO} = 0.1\ \mu\text{F}  10\ \mu\text{F}$ , $I_{ISO} = 90\text{ mA}$
Switching Frequency	$f_{OSC}$		180		MHz	
PWM Frequency	$f_{PWM}$		625		kHz	
Output Supply Current <sup>1</sup>	$I_{ISO (MAX)}$	50			mA	$3.135\text{ V} < V_{ISO} < 3.465\text{ V}$
		100			mA	$3.0\text{ V} < V_{ISO} < 3.465\text{ V}$
Efficiency at $I_{ISO (MAX)}$			27		%	$I_{ISO} = 100\text{ mA}$ , $T_A = 25^\circ\text{C}$
$V_{DDP}$ Supply Current						
No $V_{ISO}$ Load	$I_{DDP (Q)}$		5	18	mA	
Full $V_{ISO}$ Load	$I_{DDP (MAX)}$		250		mA	
Undervoltage Lockout						
$V_{DDP}$						
Rising Threshold		3.6	4.1	4.4	V	
Falling Threshold		2.8	3.3	4.2	V	
$V_{ISO}$						
Rising Threshold			3.28		V	
Falling Threshold			2.45		V	
Thermal Shutdown						
Shutdown Temperature			154		°C	
Thermal Hysteresis			10		°C	

<sup>1</sup> Maximum  $V_{ISO}$  output current is derated by 1.75 mA/°C for  $T_A > 85^\circ\text{C}$ .

## SPECIFICATIONS

Table 4. ADuM6028-5BRIZ DC-to-DC Converter Static Specifications

Parameter	Symbol	Min	Typ	Max	Unit	Test Conditions/Comments
DC-TO-DC CONVERTER SUPPLY						
Setpoint	$V_{ISO}$	3.135	3.3	3.465	V	$I_{ISO} = 10$ mA
Line Regulation	$V_{ISO}$ (LINE)		2		mV/V	$I_{ISO} = 30$ mA, $V_{DDP} = 3.0$ V to 3.6 V
Load Regulation <sup>1</sup>	$V_{ISO}$ (LOAD)		1	5	%	$I_{ISO} = 6$ mA to 54 mA
Output Ripple <sup>1</sup>	$V_{ISO}$ (RIP)		50		mV p-p	20 MHz bandwidth, $C_{BO} = 0.1$ $\mu$ F  10 $\mu$ F, $I_{ISO} = 54$ mA
Output Noise <sup>1</sup>	$V_{ISO}$ (NOISE)		130		mV p-p	$C_{BO} = 0.1$ $\mu$ F  10 $\mu$ F, $I_{ISO} = 54$ mA
Switching Frequency	$f_{OSC}$		180		MHz	
PWM Frequency	$f_{PWM}$		625		kHz	
Output Supply Current <sup>1</sup>	$I_{ISO}$ (MAX)	30			mA	$3.135$ V < $V_{ISO}$ < $3.465$ V
		60			mA	$3.0$ V < $V_{ISO}$ < $3.465$ V
Efficiency at $I_{ISO}$ (MAX)			27		%	$I_{ISO} = 60$ mA, $T_A = 25^\circ$ C
$V_{DDP}$ Supply Current						
No $V_{ISO}$ Load	$I_{DDP}$ (Q)		5	18	mA	
Full $V_{ISO}$ Load	$I_{DDP}$ (MAX)		150		mA	
Undervoltage Lockout						
$V_{DDP}$						
Rising Threshold		3.6	4.1	4.4	V	
Falling Threshold		2.8	3.3	4.2	V	
$V_{ISO}$						
Rising Threshold			3.28		V	
Falling Threshold			2.45		V	
Thermal Shutdown						
Shutdown Temperature			154		$^\circ$ C	
Thermal Hysteresis			10		$^\circ$ C	

<sup>1</sup> Maximum  $V_{ISO}$  output current is derated by 1 mA/ $^\circ$ C for  $T_A > 85^\circ$ C.

## ELECTRICAL CHARACTERISTICS—3.3 V PRIMARY INPUT SUPPLY/3.3 V SECONDARY ISOLATED SUPPLY

All typical specifications are at  $T_A = 25^\circ$ C,  $V_{DDP} = 3.3$  V,  $V_{ISO} = 3.3$  V. Minimum and maximum specifications apply over the entire recommended operation range, which is  $3.0$  V  $\leq V_{DDP} \leq 3.6$  V,  $3.0$  V  $\leq V_{ISO} \leq 3.6$  V, and  $-40^\circ$ C  $\leq T_A \leq +125^\circ$ C, unless otherwise noted.

Table 5. ADuM6020-3BRIZ DC-to-DC Converter Static Specifications

Parameter	Symbol	Min	Typ	Max	Unit	Test Conditions/Comments
DC-TO-DC CONVERTER SUPPLY						
Setpoint	$V_{ISO}$	3.135	3.3	3.465	V	$I_{ISO} = 10$ mA
Line Regulation	$V_{ISO}$ (LINE)		2		mV/V	$I_{ISO} = 50$ mA, $V_{DDP} = 3.0$ V to 3.6 V
Load Regulation <sup>1</sup>	$V_{ISO}$ (LOAD)		1	5	%	$I_{ISO} = 7$ mA to 63 mA
Output Ripple <sup>1</sup>	$V_{ISO}$ (RIP)		50		mV p-p	20 MHz bandwidth, $C_{BO} = 0.1$ $\mu$ F  10 $\mu$ F, $I_{ISO} = 90$ mA
Output Noise <sup>1</sup>	$V_{ISO}$ (NOISE)		130		mV p-p	$C_{BO} = 0.1$ $\mu$ F  10 $\mu$ F, $I_{ISO} = 90$ mA
Switching Frequency	$f_{OSC}$		180		MHz	
PWM Frequency	$f_{PWM}$		625		kHz	
Output Supply Current <sup>1</sup>	$I_{ISO}$ (MAX)	35			mA	$3.135$ V < $V_{ISO}$ < $3.465$ V
		70			mA	$3.0$ V < $V_{ISO}$ < $3.465$ V
Efficiency at $I_{ISO}$ (MAX)			33		%	$I_{ISO} = 70$ mA, $T_A = 25^\circ$ C
$V_{DDP}$ Supply Current						
No $V_{ISO}$ Load	$I_{DDP}$ (Q)		5	15	mA	
Full $V_{ISO}$ Load	$I_{DDP}$ (MAX)		225		mA	

## SPECIFICATIONS

Table 5. ADuM6020-3BRIZ DC-to-DC Converter Static Specifications (Continued)

Parameter	Symbol	Min	Typ	Max	Unit	Test Conditions/Comments
Undervoltage Lockout						
$V_{DDP}$						
Rising Threshold		2.6	2.9	3.0	V	
Falling Threshold		2.1	2.5	2.95	V	
$V_{ISO}$						
Rising Threshold			3.28		V	
Falling Threshold			2.45		V	
Thermal Shutdown						
Shutdown Temperature			154		°C	
Thermal Hysteresis			10		°C	

<sup>1</sup> Maximum  $V_{ISO}$  output current is derated by 2 mA/°C for  $T_A > 105^\circ\text{C}$ .

Table 6. ADuM6028-3BRIZ DC-to-DC Converter Static Specifications

Parameter	Symbol	Min	Typ	Max	Unit	Test Conditions/Comments
DC-TO-DC CONVERTER SUPPLY						
Setpoint	$V_{ISO}$	3.135	3.3	3.465	V	$I_{ISO} = 10\text{ mA}$
Line Regulation	$V_{ISO}(\text{LINE})$		2		mV/V	$I_{ISO} = 30\text{ mA}$ , $V_{DDP} = 3.0\text{ V to }3.6\text{ V}$
Load Regulation <sup>1</sup>	$V_{ISO}(\text{LOAD})$		1	5	%	$I_{ISO} = 6\text{ mA to }54\text{ mA}$
Output Ripple <sup>1</sup>	$V_{ISO}(\text{RIP})$		50		mV p-p	20 MHz bandwidth, $C_{BO} = 0.1\ \mu\text{F}  10\ \mu\text{F}$ , $I_{ISO} = 54\text{ mA}$
Output Noise <sup>1</sup>	$V_{ISO}(\text{NOISE})$		130		mV p-p	$C_{BO} = 0.1\ \mu\text{F}  10\ \mu\text{F}$ , $I_{ISO} = 54\text{ mA}$
Switching Frequency	$f_{OSC}$		180		MHz	
PWM Frequency	$f_{PWM}$		625		kHz	
Output Supply Current <sup>1</sup>	$I_{ISO}(\text{MAX})$	30			mA	$3.135\text{ V} < V_{ISO} < 3.465\text{ V}$
		60			mA	$3.0\text{ V} < V_{ISO} < 3.465\text{ V}$
Efficiency at $I_{ISO}(\text{MAX})$			33		%	$I_{ISO} = 60\text{ mA}$ , $T_A = 25^\circ\text{C}$
$V_{DDP}$ Supply Current						
No $V_{ISO}$ Load	$I_{DDP}(\text{Q})$		5	15	mA	
Full $V_{ISO}$ Load	$I_{DDP}(\text{MAX})$		190		mA	
Undervoltage Lockout						
$V_{DDP}$						
Rising Threshold		2.6	2.9	3.0	V	
Falling Threshold		2.1	2.5	2.95	V	
$V_{ISO}$						
Rising Threshold			3.28		V	
Falling Threshold			2.45		V	
Thermal Shutdown						
Shutdown Temperature			154		°C	
Thermal Hysteresis			10		°C	

<sup>1</sup> Maximum  $V_{ISO}$  output current is derated by 2 mA/°C for  $T_A > 105^\circ\text{C}$ .

## SPECIFICATIONS

## REGULATORY APPROVALS

Table 7.

Regulatory Agency	Standard Certification/Approval	File
UL <sup>1</sup>	Recognized under 1577 component recognition program Single protection, 5000 V rms isolation voltage	File E214100
CSA	Approved under CSA Component Acceptance CSA 62368-1:19, UPD1:2021, IEC 62368-1:2018 Edition 3, and EN 62368-1:2020+A11:2020: Basic insulation at 830 V rms (1173 V peak) Reinforced insulation at 415 V rms (586 V peak) CSA 61010-1-12+A1 and IEC 61010-1 Edition 3+A1: Basic insulation at 600 V rms Reinforced insulation at 300 V rms CSA 60601-1:14 (R2018) and IEC 60601-1 Edition 3+A1+A2: Basic insulation (1 means of patient protection (1 MOPP)), 590 V rms (834 V peak) Reinforced insulation (2 means of patient protection (2 MOPP)), 50 V rms (71 V peak)	File 205078
TÜV SÜD	Certified as component level device EN IEC 62368-1:2020/A11:2022	File B0562320022
VDE <sup>2</sup>	DIN V VDE V 0884-10 (VDE V 0884-10):2006-12 Reinforced insulation 565 V peak, surge isolation voltage ( $V_{IOSM}$ ) = 6250 V peak Transient voltage ( $V_{IOTM}$ ) = 8000 V peak	File 2471900-4880-0001
CQC	Certified under CQC11-471543-2015  GB4943.1-2011: basic insulation at 830 V rms (1174 V peak) Reinforced insulation at 415 V rms (587 V peak)	File CQC21001283892 (ADuM6028) File (Pending) (ADuM6020)

<sup>1</sup> In accordance with UL 1577, each ADuM6020 and ADuM6028 are proof tested by applying an insulation test voltage  $\geq 6000$  V rms for 1 second.

<sup>2</sup> In accordance with DIN V VDE V 0884-10, each ADuM6020 and ADuM6028 are proof tested by applying an insulation test voltage  $\geq 1059$  V peak for 1 sec (partial discharge detection limit = 5 pC). The \* marking branded on the component designates DIN V VDE V 0884-10 approval.

## INSULATION AND SAFETY RELATED SPECIFICATIONS

For additional information, see [www.analog.com/icouplersafety](http://www.analog.com/icouplersafety).

Table 8. ADuM6020 Insulation and Safety

Parameter	Symbol	Value	Unit	Test Conditions/Comments
Rated Dielectric Insulation Voltage		5000	V rms	1-minute duration
Minimum External Air Gap (Clearance)	L (I01)	8.3	mm min	Measured from input terminals to output terminals, shortest distance through air
Minimum External Tracking (Creepage)	L (I02)	8.3	mm min	Measured from input terminals to output terminals, shortest distance path along body
Minimum Clearance in the Plane of the Printed Circuit Board (PCB Clearance)	L (PCB)	8.3	mm min	Measured from input terminals to output terminals, shortest distance through air, line of sight, in the PCB mounting plane
Minimum Internal Gap (Internal Clearance)		25.5	$\mu\text{m}$ min	Insulation distance through insulation
Tracking Resistance (Comparative Tracking Index)	CTI	>600	V	DIN IEC 112/VDE 0303 Part 1
Material Group		I		Material Group (DIN VDE 0110, 1/89, Table 1)

## SPECIFICATIONS

Table 9. ADuM6028 Insulation and Safety

Parameter	Symbol	Value	Unit	Test Conditions/Comments
Rated Dielectric Insulation Voltage		5000	V rms	1-minute duration
Minimum External Air Gap (Clearance)	L (I01)	8.3	mm min	Measured from input terminals to output terminals, shortest distance through air
Minimum External Tracking (Creepage)	L (I02)	8.3	mm min	Measured from input terminals to output terminals, shortest distance path along body
Minimum Clearance in the Plane of the Printed Circuit Board (PCB Clearance)	L (PCB)	8.3	mm min	Measured from input terminals to output terminals, shortest distance through air, line of sight, in the PCB mounting plane
Minimum Internal Gap (Internal Clearance)		25.5	µm min	Insulation distance through insulation
Tracking Resistance (Comparative Tracking Index)	CTI	>600	V	DIN IEC 112/VDE 0303 Part 1
Material Group		I		Material Group (DIN VDE 0110, 1/89, Table 1)

## PACKAGE CHARACTERISTICS

Table 10. ADuM6020 Package Characteristics

Parameter	Symbol	Min	Typ	Max	Unit	Test Conditions/Comments
Resistance (Input to Output) <sup>1</sup>	R <sub>I-O</sub>		10 <sup>13</sup>		Ω	
Capacitance (Input to Output) <sup>1</sup>	C <sub>I-O</sub>		2.2		pF	f = 1 MHz
Input Capacitance <sup>2</sup>	C <sub>I</sub>		4.0		pF	
IC Junction to Ambient Thermal Resistance	θ <sub>JA</sub>		45		°C/W	Thermocouple located at center of package underside <sup>3</sup>

<sup>1</sup> This device is considered a 2-terminal device: Pin 1 through Pin 8 are shorted together, and Pin 9 through Pin 16 are shorted together.

<sup>2</sup> Input capacitance is from any input data pin to ground.

<sup>3</sup> The value of θ<sub>JA</sub> is based on devices mounted on a JEDEC JESD-51 standard 2s2p board and still air.

Table 11. ADuM6028 Package Characteristics

Parameter	Symbol	Min	Typ	Max	Unit	Test Conditions/Comments
Resistance (Input to Output) <sup>1</sup>	R <sub>I-O</sub>		10 <sup>13</sup>		Ω	
Capacitance (Input to Output) <sup>1</sup>	C <sub>I-O</sub>		2.2		pF	f = 1 MHz
Input Capacitance <sup>2</sup>	C <sub>I</sub>		4.0		pF	
IC Junction to Ambient Thermal Resistance	θ <sub>JA</sub>		80		°C/W	Thermocouple located at center of package underside <sup>3</sup>

<sup>1</sup> This device is considered a 2-terminal device: Pin 1 through Pin 4 are shorted together, and Pin 5 through Pin 8 are shorted together.

<sup>2</sup> Input capacitance is from any input data pin to ground.

<sup>3</sup> The value of θ<sub>JA</sub> is based on devices mounted on a JEDEC JESD-51 standard 2s2p board and still air.

## DIN V VDE V 0884-10 (VDE V 0884-10) INSULATION CHARACTERISTICS

These isolators are suitable for reinforced electrical isolation only within the safety limit data. Maintenance of the safety data is ensured by the protective circuits. The asterisk (\*) marking on packages denotes DIN V VDE V 0884-10 approval.

Table 12. ADuM6020 VDE Characteristics

Description	Test Conditions/Comments	Symbol	Characteristic	Unit
Installation Classification per DIN VDE 0110				
For Rated Mains Voltage ≤ 150 V rms			I to IV	
For Rated Mains Voltage ≤ 300 V rms			I to III	
For Rated Mains Voltage ≤ 400 V rms			I to II	
Climatic Classification			40/125/21	
Pollution Degree per DIN VDE 0110, Table 1			2	

## SPECIFICATIONS

Table 12. ADuM6020 VDE Characteristics (Continued)

Description	Test Conditions/Comments	Symbol	Characteristic	Unit
Maximum Working Insulation Voltage		$V_{IORM}$	565	V peak
Input to Output Test Voltage, Method b1	$V_{IORM} \times 1.875 = V_{PR}$ , 100% production test, $t_m = 1$ sec, partial discharge < 5 pC	$V_{PR}$	1059	V peak
Input to Output Test Voltage, Method a				
After Environmental Tests Subgroup 1	$V_{IORM} \times 1.5 = V_{pd(m)}$ , $t_{ini} = 60$ sec, $t_m = 10$ sec, partial discharge < 5 pC	$V_{pd(m)}$	848	V peak
After Input or Safety Test Subgroup 2 and Subgroup 3	$V_{IORM} \times 1.2 = V_{pd(m)}$ , $t_{ini} = 60$ sec, $t_m = 10$ sec, partial discharge < 5 pC	$V_{pd(m)}$	678	V peak
Highest Allowable Overvoltage	Transient overvoltage, $t_{TR} = 10$ sec	$V_{IOTM}$	8000	V peak
Withstand Isolation Voltage	1 minute withstand rating	$V_{ISO}$	5000	V rms
Surge Isolation Voltage Reinforced	$V_{IOSM(TEST)} = 10$ kV; 1.2 $\mu$ s rise time; 50 $\mu$ s, 50% fall time	$V_{IOSM}$	6250	V peak
Safety Limiting Values	Maximum value allowed in the event of a failure (see Figure 3)			
Case Temperature		$T_S$	150	°C
Total Power Dissipation at 25°C		$I_{S1}$	2.78	W
Insulation Resistance at $T_S$	$V_{IO} = 500$ V	$R_S$	>10 <sup>9</sup>	$\Omega$

Table 13. ADuM6028 VDE Characteristics

Description	Test Conditions/Comments	Symbol	Characteristic	Unit
Installation Classification per DIN VDE 0110				
For Rated Mains Voltage $\leq 150$ V rms			I to IV	
For Rated Mains Voltage $\leq 300$ V rms			I to III	
For Rated Mains Voltage $\leq 400$ V rms			I to II	
Climatic Classification			40/125/21	
Pollution Degree per DIN VDE 0110, Table 1			2	
Maximum Working Insulation Voltage		$V_{IORM}$	565	V peak
Input to Output Test Voltage, Method b1	$V_{IORM} \times 1.875 = V_{PR}$ , 100% production test, $t_m = 1$ sec, partial discharge < 5 pC	$V_{PR}$	1059	V peak
Input to Output Test Voltage, Method a				
After Environmental Tests Subgroup 1	$V_{IORM} \times 1.5 = V_{pd(m)}$ , $t_{ini} = 60$ sec, $t_m = 10$ sec, partial discharge < 5 pC	$V_{pd(m)}$	848	V peak
After Input and/or Safety Test Subgroup 2 and Subgroup 3	$V_{IORM} \times 1.2 = V_{pd(m)}$ , $t_{ini} = 60$ sec, $t_m = 10$ sec, partial discharge < 5 pC	$V_{pd(m)}$	678	V peak
Highest Allowable Overvoltage	Transient overvoltage, $t_{TR} = 10$ sec	$V_{IOTM}$	8000	V peak
Withstand Isolation Voltage	1 minute withstand rating	$V_{ISO}$	5000	V rms
Surge Isolation Voltage Reinforced	$V_{IOSM(TEST)} = 10$ kV; 1.2 $\mu$ s rise time; 50 $\mu$ s, 50% fall time	$V_{IOSM}$	6250	V peak
Safety Limiting Values	Maximum value allowed in the event of a failure (see Figure 4)			
Case Temperature		$T_S$	150	°C
Total Power Dissipation at 25°C		$I_{S1}$	1.56	W
Insulation Resistance at $T_S$	$V_{IO} = 500$ V	$R_S$	>10 <sup>9</sup>	$\Omega$

**SPECIFICATIONS**

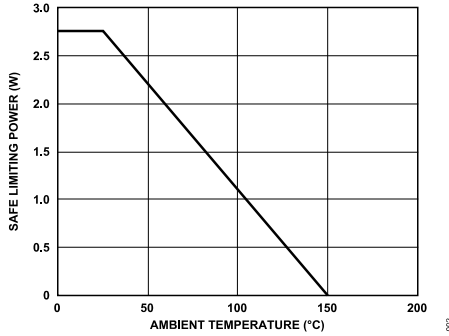


Figure 3. ADuM6020 Thermal Derating Curve, Dependence of Safety Limiting Values with Ambient Temperature, per DIN V VDE V 0884-10

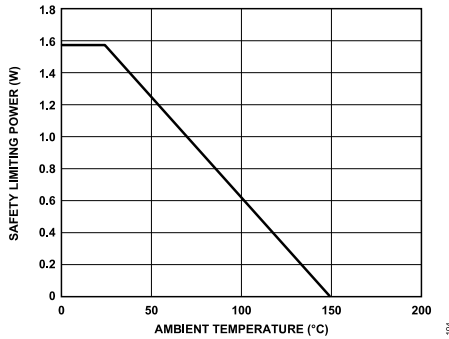


Figure 4. ADuM6028 Thermal Derating Curve, Dependence of Safety Limiting Values with Ambient Temperature per DIN V VDE V 0884-10

**RECOMMENDED OPERATING CONDITIONS**

Table 14.

Parameter	Symbol	Min	Typ	Max	Unit
Operating Temperature <sup>1</sup>	T <sub>A</sub>	-40		+125	°C
Supply Voltages <sup>2</sup>	V <sub>DDP</sub>				
ADuM6020-5BRIZ, ADuM6028-5BRIZ, V <sub>DDP</sub> at V <sub>ISO</sub> = 3.135 V to 3.465 V		4.5		5.5	V
ADuM6020-3BRIZ, ADuM6028-3BRIZ, V <sub>DDP</sub> at V <sub>ISO</sub> = 3.135 V to 3.465 V		3.0		3.6	V
ADuM6020-5BRIZ, ADuM6028-5BRIZ, V <sub>DDP</sub> at V <sub>ISO</sub> = 4.75 V to 5.25 V		4.5		5.5	V

<sup>1</sup> Operation at >85°C requires reduction of the maximum load current.

<sup>2</sup> Each voltage is relative to its respective ground.

## ABSOLUTE MAXIMUM RATINGS

$T_A = 25^\circ\text{C}$ , unless otherwise noted.

**Table 15.**

Parameter	Rating
Storage Temperature ( $T_{ST}$ )	$-55^\circ\text{C}$ to $+150^\circ\text{C}$
Ambient Operating Temperature ( $T_A$ )	$-40^\circ\text{C}$ to $+125^\circ\text{C}$
Supply Voltages ( $V_{DDP}$ , $V_{ISO}$ ) <sup>1</sup>	$-0.5\text{ V}$ to $+7.0\text{ V}$
$V_{ISO}$ Supply Current	
ADuM6020	100 mA
ADuM6028	60 mA
Input Voltage (PDIS, $V_{SEL}$ ) <sup>1,2</sup>	$-0.5\text{ V}$ to $V_{DDP} + 0.5\text{ V}$
Common-Mode Transients <sup>3</sup>	$-200\text{ kV}/\mu\text{s}$ to $+200\text{ kV}/\mu\text{s}$

<sup>1</sup> All voltages are relative to their respective ground.

<sup>2</sup>  $V_{DDP}$  is the input side supply voltage.

<sup>3</sup> Common-mode transients refer to common-mode transients across the isolation barrier. Common-mode transients exceeding the absolute maximum ratings may cause latch-up or permanent damage.

Stresses at or above those listed under Absolute Maximum Ratings may cause permanent damage to the product. This is a stress rating only; functional operation of the product at these or any other conditions above those indicated in the operational section of this specification is not implied. Operation beyond the maximum operating conditions for extended periods may affect product reliability.

**Table 16. Maximum Continuous Working Voltage Supporting 50-Year Minimum Lifetime<sup>1</sup>**

Parameter	Max	Unit	Applicable Certification
AC Voltage			
Bipolar Waveform	560>	V peak	50-year operation
Unipolar Waveform			
Basic Insulation	560	V peak	50-year operation
DC Voltage			
Basic Insulation	1000	V peak	50-year operation
Reinforced Insulation	830	V peak	Limited by creepage

<sup>1</sup> Maximum continuous working voltage refers to the continuous voltage magnitude imposed across the isolation barrier. See the [Insulation Lifetime](#) section for more information.

## ESD CAUTION



**ESD (electrostatic discharge) sensitive device.** Charged devices and circuit boards can discharge without detection. Although this product features patented or proprietary protection circuitry, damage may occur on devices subjected to high energy ESD. Therefore, proper ESD precautions should be taken to avoid performance degradation or loss of functionality.

PIN CONFIGURATION AND FUNCTION DESCRIPTIONS

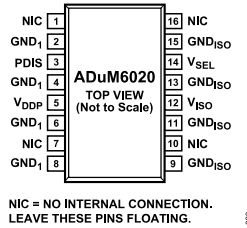


Figure 5. ADuM6020 Pin Configuration

Table 17. ADuM6020 Pin Function Descriptions

Pin No.	Mnemonic	Description
1, 7, 10, 16	NIC	No Internal Connection. Leave these pins floating.
2, 4, 6, 8	GND <sub>1</sub>	Ground 1. Ground reference for the primary. It is recommended that these pins be connected to a common ground.
3	PDIS	Power Disable. When tied to any GND <sub>1</sub> pin, the V <sub>ISO</sub> output voltage is active. When a logic high voltage is applied, the V <sub>ISO</sub> output voltage is shut down. Do not leave this pin floating.
5	V <sub>DDP</sub>	Primary Supply Voltage. The supply range is 4.5 V to 5.5 V for the ADuM6020-5 models and 3.0 V to 3.6 V for the ADuM6020-3 models.
9, 11, 13, 15	GND <sub>ISO</sub>	Ground Reference for V <sub>ISO</sub> on Side 2. It is recommended that these pins be connected to a common ground.
12	V <sub>ISO</sub>	Secondary Supply Voltage Output for External Loads.
14	V <sub>SEL</sub>	Output Voltage Selection. Connect V <sub>SEL</sub> to V <sub>ISO</sub> for 5 V output or connect V <sub>SEL</sub> to GND <sub>ISO</sub> for 3.3 V output. This pin has a weak internal pull-up. Therefore, do not leave this pin floating. It is recommended that the ADuM6020-3BRIZ be used only for 3.3 V input to 3.3 V output operation. Therefore, connect V <sub>SEL</sub> to GND <sub>ISO</sub> .

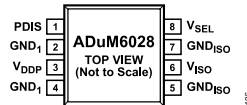


Figure 6. ADuM6028 Pin Configuration

Table 18. ADuM6028 Pin Function Descriptions

Pin No.	Mnemonic	Description
1	PDIS	Power Disable. When tied to any GND <sub>1</sub> pin, the V <sub>ISO</sub> output voltage is active. When a logic high voltage is applied, the V <sub>ISO</sub> output voltage is shut down. Do not leave this pin floating.
2, 4	GND <sub>1</sub>	Ground 1. Ground reference for the primary. It is recommended that these pins be connected to a common ground.
3	V <sub>DDP</sub>	Primary Supply Voltage. The supply range is 4.5 V to 5.5 V for the ADuM6028-5 models and 3.0 V to 3.6 V for the ADuM6028-3 models.
5, 7	GND <sub>ISO</sub>	Ground Reference for V <sub>ISO</sub> on Side 2. It is recommended that these pins be connected together.
6	V <sub>ISO</sub>	Secondary Supply Voltage Output for External Loads.
8	V <sub>SEL</sub>	Output Voltage Selection. Connect V <sub>SEL</sub> to V <sub>ISO</sub> for 5 V output or connect V <sub>SEL</sub> to GND <sub>ISO</sub> for 3.3 V output. This pin has a weak internal pull-up. Therefore, do not leave this pin floating. It is recommended that the ADuM6028-3BRIZ be used only for 3.3 V input to 3.3 V output operation. Therefore, connect V <sub>SEL</sub> to GND <sub>ISO</sub> .

TRUTH TABLE

Table 19. Truth Table (Positive Logic)

V <sub>DDP</sub> (V)	V <sub>SEL</sub> Input	PDIS Input	V <sub>ISO</sub> Output (V)	Notes
5	High	Low	5	
5	Low	Low	3.3	
5	Don't care	High	0	
3.3	Low	Low	3.3	
3.3	High	Low	5	Configuration not recommended
3.3	Don't care	High	0	

TYPICAL PERFORMANCE CHARACTERISTICS

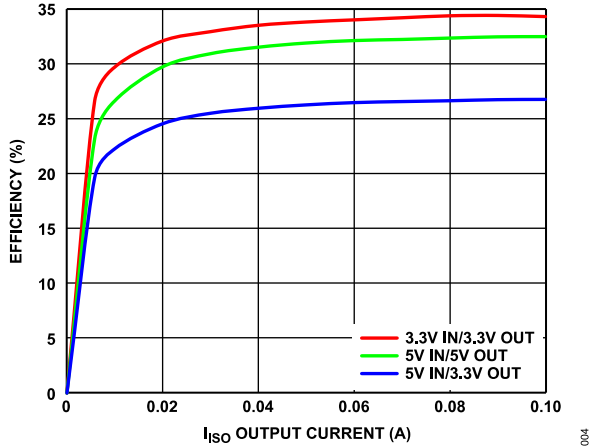


Figure 7. Typical Power Supply Efficiency in Supported Supply Configurations

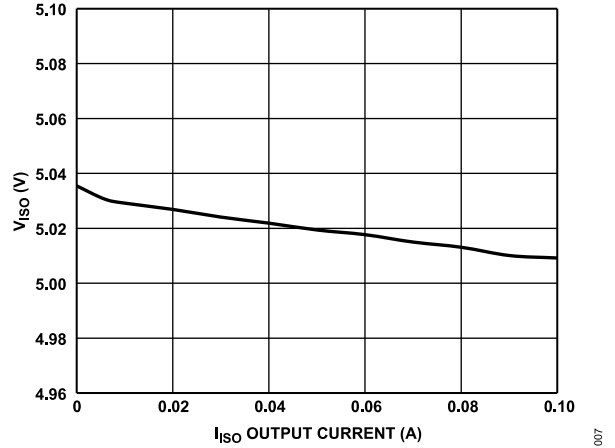


Figure 10.  $V_{ISO}$  vs.  $I_{ISO}$  Output Current, Input = 5 V,  $V_{ISO}$  = 5 V

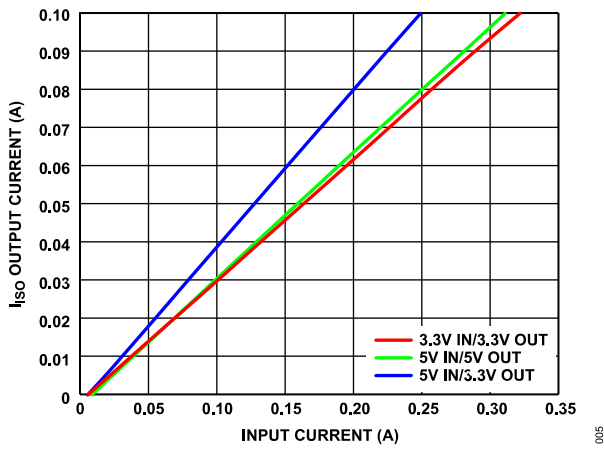


Figure 8.  $I_{ISO}$  Output Current vs. Input Current in Supported Power Configurations

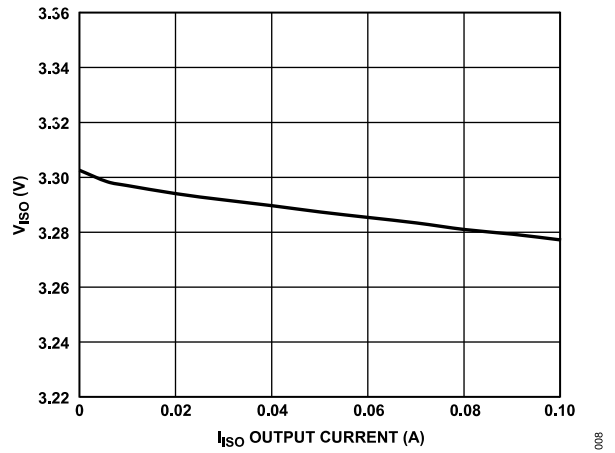


Figure 11.  $V_{ISO}$  vs.  $I_{ISO}$  Output Current, Input = 5 V,  $V_{ISO}$  = 3.3 V

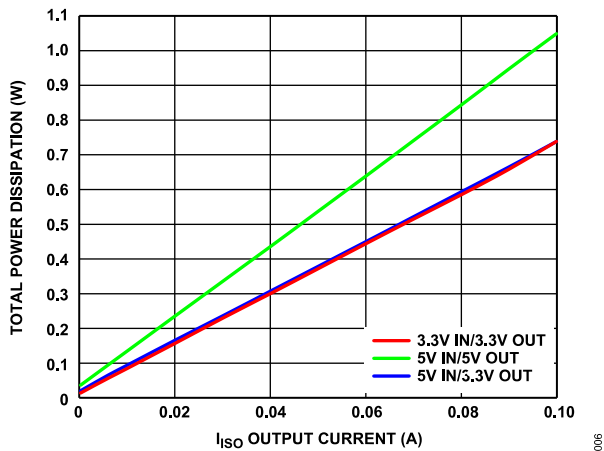


Figure 9. Total Power Dissipation vs.  $I_{ISO}$  Output Current in Supported Power Configurations

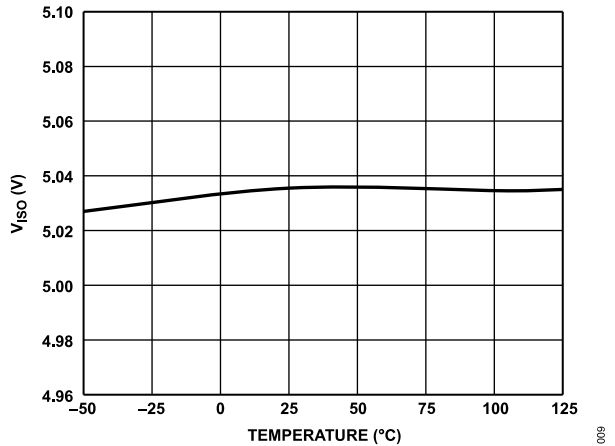


Figure 12.  $V_{ISO}$  vs. Temperature, Input = 5 V,  $V_{ISO}$  Output = 5 V

TYPICAL PERFORMANCE CHARACTERISTICS

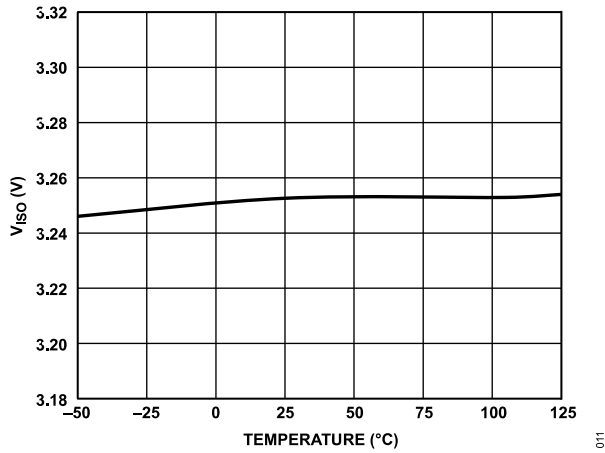


Figure 13.  $V_{ISO}$  vs. Temperature, Input = 3.3 V,  $V_{ISO}$  Output = 3.3 V

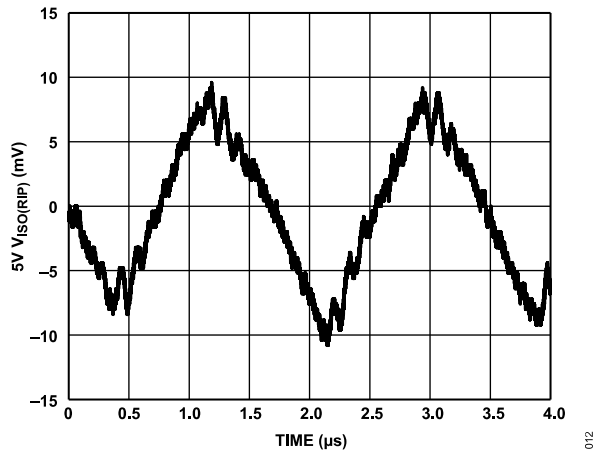


Figure 14.  $V_{ISO}$  Ripple, 5 V Input to 5 V Output at 90% Load, Bandwidth = 20 MHz

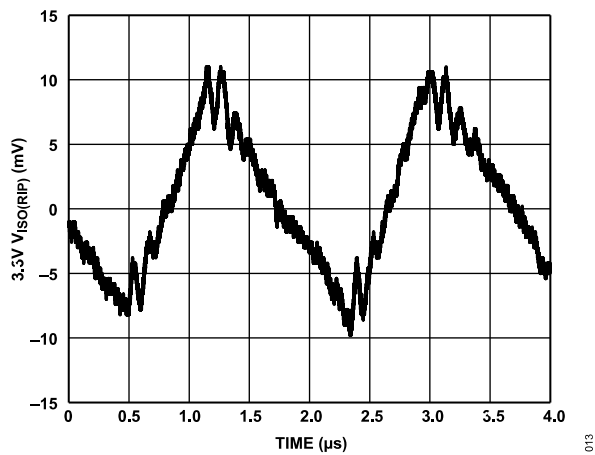


Figure 15.  $V_{ISO}$  Ripple, 5 V Input to 3.3 V Output at 90% Load, Bandwidth = 20 MHz

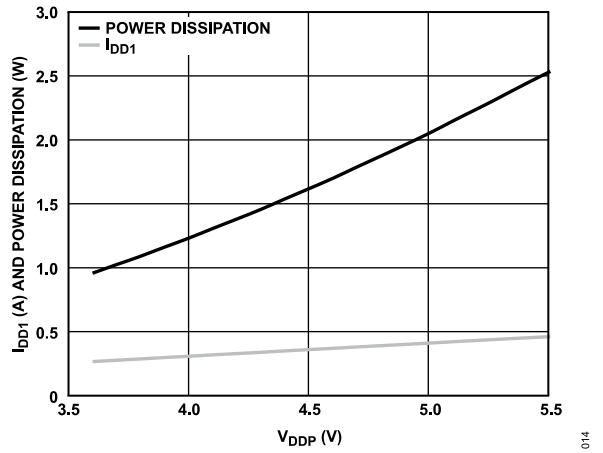


Figure 16. Short-Circuit Input Current ( $I_{DD1}$ ) and Power Dissipation vs.  $V_{DDP}$

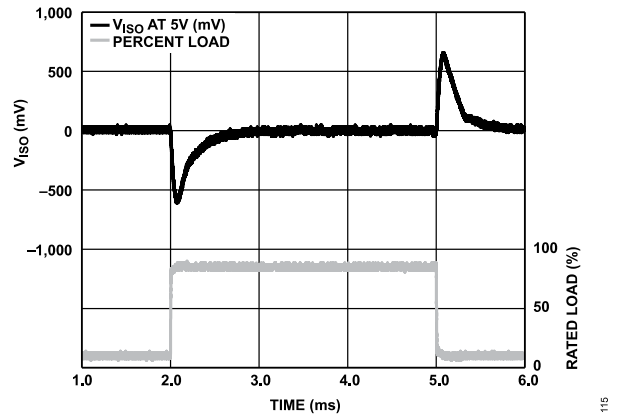


Figure 17.  $V_{ISO}$  Transient Load Response, 5 V Input to 5 V Output, 10% to 90% Load Step

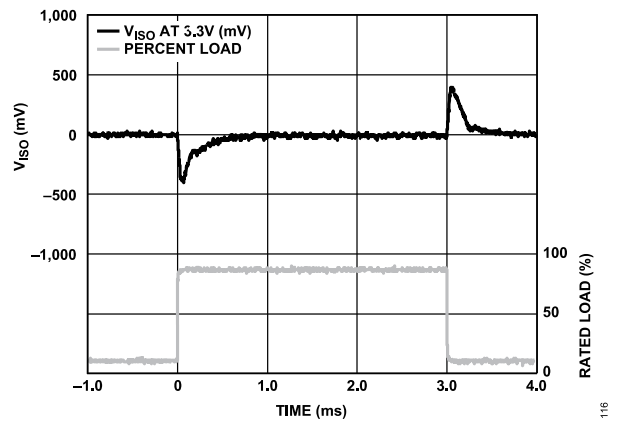


Figure 18.  $V_{ISO}$  Transient Load Response, 5 V Input to 3.3 V Output, 10% to 90% Load Step

TYPICAL PERFORMANCE CHARACTERISTICS

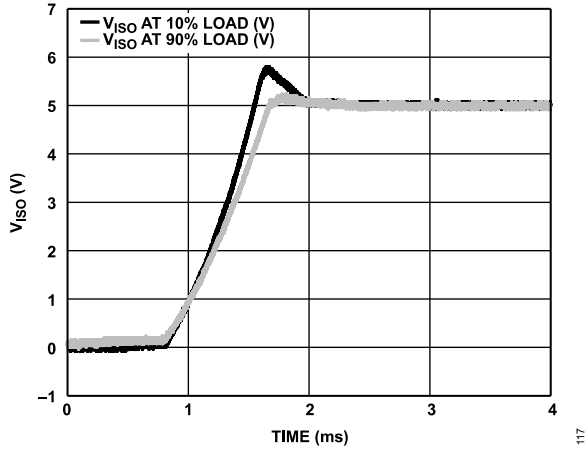


Figure 19. 5 V Input to 5 V Output V<sub>ISO</sub> Start-Up Transient at 10% and 90% Load

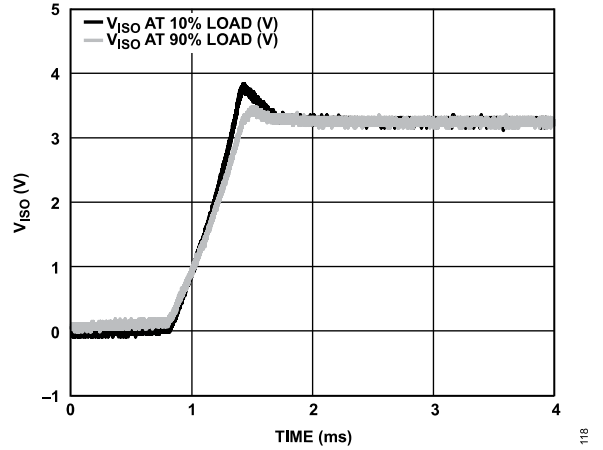


Figure 20. 5 V Input to 3.3 V Output V<sub>ISO</sub> Start-Up Transient at 10% and 90% Load

## THEORY OF OPERATION

The ADuM6020/ADuM6028 dc-to-dc converters work on principles that are common to most standard power supplies. The converters have a split controller architecture with isolated PWM feedback.  $V_{DDP}$  power is supplied to an oscillating circuit that switches current into a chip scale air core transformer. Power transferred to the secondary side is rectified and regulated to 3.3 V or 5.0 V, depending on the setting of the  $V_{SEL}$  pin. Note that the ADuM6020-3BRIZ and the ADuM6028-3BRIZ can only be used for 3.3 V input to 3.3 V output applications, and the ADuM6020-5BRIZ and the ADuM6028-5BRIZ operate best for 5 V input applications. The secondary ( $V_{ISO}$ ) side controller regulates the output by creating a PWM

control signal that is sent to the primary ( $V_{DDP}$ ) side by a dedicated iCoupler data channel. The PWM modulates the oscillator circuit to control the power being sent to the secondary side. Feedback allows significantly higher power and efficiency.

The ADuM6020/ADuM6028 implement undervoltage lockout (UVLO) with hysteresis on the primary and secondary side input and output pins. The UVLO feature ensures that the converters do not go into oscillation due to noisy input power or slow power-on ramp rates.

APPLICATIONS INFORMATION

PCB LAYOUT

The ADuM6020/ADuM6028 *isoPower* integrated dc-to-dc converters require power supply bypassing at the input and output supply pins (see Figure 21 and Figure 22). Low effective series resistance (ESR) 0.1  $\mu\text{F}$  bypass capacitors are required between the  $V_{\text{DDP}}$  pin and  $\text{GND}_1$  pin, as close to the chip pads as possible. Low ESR 0.1  $\mu\text{F}$  or 0.22  $\mu\text{F}$  capacitors are required between the  $V_{\text{ISO}}$  pin and  $\text{GND}_{\text{ISO}}$  pin, as close to the chip pads as possible (see the  $C_{\text{ISO}}$  note in Figure 23 and Figure 24 for more information). The *isoPower* inputs require multiple passive components to bypass the power effectively, as well as set the output voltage and bypass the core voltage regulator (see Figure 21 through Figure 26).

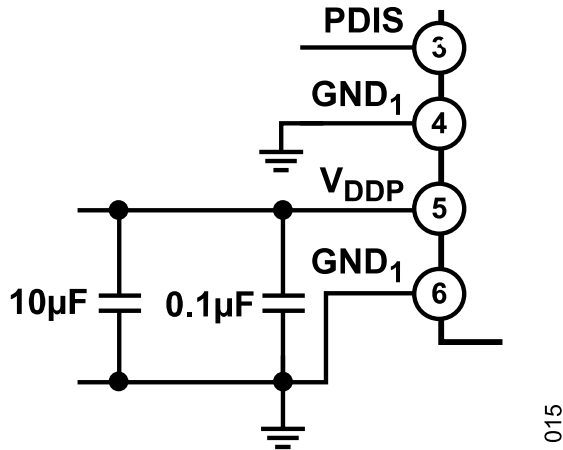


Figure 21. ADuM6020  $V_{\text{DDP}}$  Bias and Bypass Components

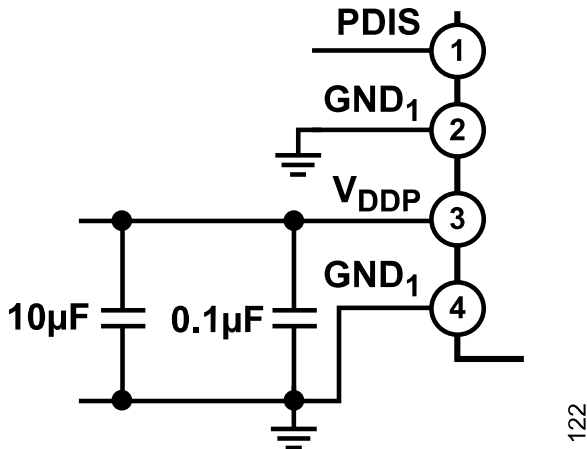
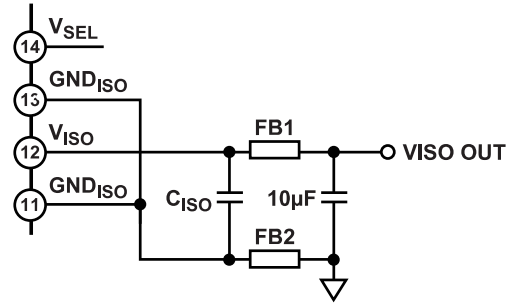
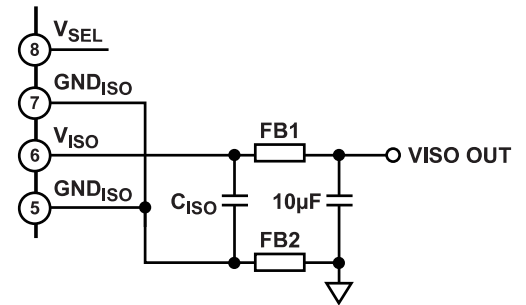


Figure 22. ADuM6028  $V_{\text{DDP}}$  Bias and Bypass Components



$C_{\text{ISO}} = 0.1\mu\text{F}$  FOR  $V_{\text{DDP}} = 5\text{V}$  AND  $V_{\text{ISO}} = 5\text{V}$ ,  
 $C_{\text{ISO}} = 0.22\mu\text{F}$  FOR  $V_{\text{DDP}} = 3.3\text{V}$  OR  $5\text{V}$  AND  $V_{\text{ISO}} = 3.3\text{V}$

Figure 23. ADuM6020  $V_{\text{ISO}}$  Bias and Bypass Components



$C_{\text{ISO}} = 0.1\mu\text{F}$  FOR  $V_{\text{DDP}} = 5\text{V}$  AND  $V_{\text{ISO}} = 5\text{V}$ ,  
 $C_{\text{ISO}} = 0.22\mu\text{F}$  FOR  $V_{\text{DDP}} = 3.3\text{V}$  OR  $5\text{V}$  AND  $V_{\text{ISO}} = 3.3\text{V}$

Figure 24. ADuM6028  $V_{\text{ISO}}$  Bias and Bypass Components

The power supply section of the ADuM6020/ADuM6028 uses a 180 MHz oscillator frequency to efficiently pass power through its chip scale transformers. Bypass capacitors are required for several operating frequencies. Noise suppression requires a low inductance, high frequency capacitor, whereas ripple suppression and proper regulation require a large value capacitor. These capacitors are most conveniently connected between the  $V_{\text{DDP}}$  pin and  $\text{GND}_1$  pin, and between the  $V_{\text{ISO}}$  pin and  $\text{GND}_{\text{ISO}}$  pin. To suppress noise and reduce ripple, a parallel combination of at least two capacitors is required. The recommended capacitor values are 0.1  $\mu\text{F}$  and 10  $\mu\text{F}$  for  $V_{\text{DDP}}$ . The smaller capacitor must have a low ESR. For example, use of a ceramic capacitor is advised. The total lead length between the ends of the 0.1  $\mu\text{F}$  low ESR capacitors, and the power supply pins must not exceed 2 mm.

To reduce the level of electromagnetic radiation, the impedance to high frequency currents between the  $V_{\text{ISO}}$  and  $\text{GND}_{\text{ISO}}$  pins and the PCB trace connections can be increased. Using this method of electromagnetic interference (EMI) suppression controls the radiating signal at its source by placing surface-mount ferrite beads in series with the  $V_{\text{ISO}}$  and  $\text{GND}_{\text{ISO}}$  pins, as shown in Figure 25 and Figure 26. The impedance of the ferrite bead is chosen to be about 1.8 k $\Omega$  between the 100 MHz and 1 GHz frequency range to reduce the emissions at the 180 MHz primary switching frequency and the 360 MHz secondary side rectifying frequency and harmonics. See Table 20 for examples of appropriate surface-mount ferrite beads.



## APPLICATIONS INFORMATION

The ratings in certification documents are usually based on a 60 Hz sinusoidal waveform because this stress reflects isolation from line voltage. However, many practical applications have combinations of 60 Hz ac and dc across the barrier as shown in Equation 1. Because only the ac portion of the stress causes wear out, the equation can be rearranged to solve for the ac rms voltage, as shown in Equation 2. For insulation wear out with the polyimide materials used in these products, the ac rms voltage determines the product lifetime.

$$V_{RMS} = \sqrt{V_{AC\ RMS}^2 + V_{DC}^2} \quad (1)$$

or

$$V_{AC\ RMS} = \sqrt{V_{RMS}^2 - V_{DC}^2} \quad (2)$$

where:

$V_{RMS}$  is the total rms working voltage.

$V_{AC\ RMS}$  is the time varying portion of the working voltage.

$V_{DC}$  is the dc offset of the working voltage.

### Calculation and Use of Parameters Example

The following example frequently arises in power conversion applications. Assume that the line voltage on one side of the isolation is 240 V ac rms and a 400 V dc bus voltage is present on the other side of the isolation barrier. The isolator material is polyimide. To establish the critical voltages in determining the creepage, clearance, and lifetime of a device, see Figure 27 and the following equations.

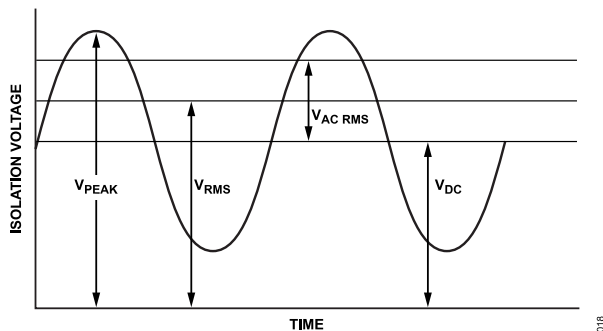


Figure 27. Critical Voltage Example

The working voltage across the barrier from Equation 1 is

$$V_{RMS} = \sqrt{V_{AC\ RMS}^2 + V_{DC}^2}$$

$$V_{RMS} = \sqrt{240^2 + 400^2}$$

$$V_{RMS} = 466\text{ V}$$

This  $V_{RMS}$  value is the working voltage used together with the material group and pollution degree when looking up the creepage required by a system standard.

To determine if the lifetime is adequate, obtain the time varying portion of the working voltage. To obtain the ac rms voltage, use Equation 2.

$$V_{AC\ RMS} = \sqrt{V_{RMS}^2 - V_{DC}^2}$$

$$V_{AC\ RMS} = \sqrt{466^2 - 400^2}$$

$$V_{AC\ RMS} = 240\text{ V rms}$$

In this case, the ac rms voltage is simply the line voltage of 240 V rms. This calculation is more relevant when the waveform is not sinusoidal. The value is compared to the limits for working voltage in Table 16 for the expected lifetime, which is less than a 60 Hz sine wave, and it is well within the limit for a 50-year service life.

Note that the dc working voltage limit is set by the creepage of the package as specified in IEC 60664-1. This value can differ for specific system level standards.

### START-UP BEHAVIOR AND POWER SEQUENCING

The start-up behavior of the isolated dc-to-dc converter is dependent on several external factors, including input voltage ramp rate, source current capability, output voltage level, and output load impedance. In general, the power-on sequence expects the output voltage to be near 0 V and the input voltage to transition from near 0 V to the rated operating voltage with a positive monotonic characteristic.

When the external input voltage rises above the internal UVLO voltage, the primary side of the dc-to-dc converter begins to turn on. Because the output is not powered on at this point and therefore not able to provide any feedback information, the regulator PWM circuit is ramped in a linear fashion from 0% duty cycle toward 100% duty cycle, effectively ramping the output voltage from zero to full open circuit voltage. This ramping is commonly referred to as a slow start, a technique used in power conversion circuits where insufficient information is available to the regulator to properly control the start-up process. This technique has the secondary benefit of limiting the input transient (inrush) current caused by capacitive loading.

As the output voltage rises, the secondary side UVLO threshold is crossed, enabling the feedback circuits. When the output voltage reaches its setpoint, 3.3 V or 5 V, the secondary side feedback synchronizes with the primary side PWM and takes over control to regulate the output voltage. The synchronization process takes a finite amount of time, which results in the output voltage overshooting the programmed voltage. The amount of overshoot is dependent on the load. At light loads, the overshoot tends to be higher than at the rated load and generally does not exceed the expected voltage by more than 10% to 20%. This behavior can be observed in Figure 19 and Figure 20.

## APPLICATIONS INFORMATION

Several conditions can cause the start-up process to not proceed as previously described, potentially resulting in excessive output voltage overshoot. The two most common conditions to avoid are multiple transitions of the input supply voltage above and below the input UVLO threshold during the slow start time and the output voltage starting above the secondary side UVLO point when the turn-on process is initiated.

A nonmonotonic input voltage during turn-on can be caused by several reasons. It can be an intentional, repeated turn-on and turn-off of the input voltage or toggling of the PDIS pin, or it can be due to insufficient input decoupling capacitance or high source impedance, causing the input voltage to droop during the time the output capacitance is being charged. The input current can be much higher than the steady state operation during the turn-on of the converter due to the load capacitance and must be considered at the system level.

An output voltage higher than the secondary UVLO point during turn-on can also be an issue. This issue is commonly caused by excessive output decoupling capacitance that is unable to discharge below the UVLO point between power-down and power-up cycles. This issue can also be caused by an output voltage being externally forced during turn-on to be higher than the secondary UVLO point. It is recommended that the output decoupling capacitance be kept to  $\leq 33 \mu\text{F}$  and to allow sufficient time for the output voltage to decay to near zero before reapplying the input voltage.

If these operating conditions for proper turn-on cannot be met due to system constraints or otherwise, it is recommended to observe the output voltage during startup in the application for all operating conditions. If voltage overshoot that exceeds approximately 6 V is observed, it is recommended to add a 6.2 V Zener diode from  $V_{\text{ISO}}$  to  $\text{GND}_{\text{ISO}}$ .

OUTLINE DIMENSIONS

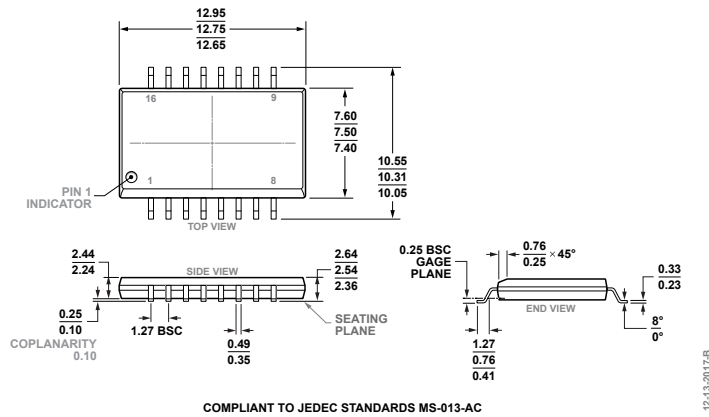


Figure 28. 16-Lead Standard Small Outline Package, with Increased Creepage [SOIC\_IC] Wide Body (RI-16-2) Dimensions shown in millimeters

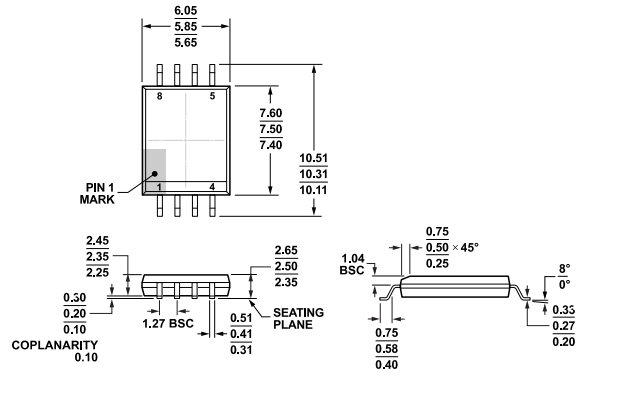


Figure 29. 8-Lead Standard Small Outline Package, with Increased Creepage [SOIC\_IC] Wide Body (RI-8-1) Dimensions shown in millimeters

Updated: October 27, 2023

ORDERING GUIDE

Model <sup>1,2</sup>	Temperature Range	Package Description	Packing Quantity	Package Option
ADUM6020-3BRIZ	-40°C to +125°C	16-Lead SOIC (Increased Creepage)		RI-16-2
ADUM6020-3BRIZ-RL	-40°C to +125°C	16-Lead SOIC (Increased Creepage)	Reel, 1000	RI-16-2
ADUM6020-3WBRIZ	-40°C to +125°C	16-Lead SOIC (Increased Creepage)		RI-16-2
ADUM6020-3WBRIZ-RL	-40°C to +125°C	16-Lead SOIC (Increased Creepage)	Reel, 1000	RI-16-2
ADUM6020-5BRIZ	-40°C to +125°C	16-Lead SOIC (Increased Creepage)		RI-16-2
ADUM6020-5BRIZ-RL	-40°C to +125°C	16-Lead SOIC (Increased Creepage)	Reel, 1000	RI-16-2
ADUM6020-5WBRIZ	-40°C to +125°C	16-Lead SOIC (Increased Creepage)		RI-16-2
ADUM6020-5WBRIZ-RL	-40°C to +125°C	16-Lead SOIC (Increased Creepage)	Reel, 1000	RI-16-2
ADUM6028-3BRIZ	-40°C to +125°C	8-Lead SOIC (Increased Creepage)		RI-8-1
ADUM6028-3BRIZ-RL	-40°C to +125°C	8-Lead SOIC (Increased Creepage)	Reel, 1500	RI-8-1
ADUM6028-3WBRIZ	-40°C to +125°C	8-Lead SOIC (Increased Creepage)		RI-8-1
ADUM6028-3WBRIZ-RL	-40°C to +125°C	8-Lead SOIC (Increased Creepage)	Reel, 1500	RI-8-1

## OUTLINE DIMENSIONS

Model <sup>1,2</sup>	Temperature Range	Package Description	Packing Quantity	Package Option
ADUM6028-5BRIZ	-40°C to +125°C	8-Lead SOIC (Increased Creepage)		RI-8-1
ADUM6028-5BRIZ-RL	-40°C to +125°C	8-Lead SOIC (Increased Creepage)	Reel, 1500	RI-8-1
ADUM6028-5WBRIZ	-40°C to +125°C	8-Lead SOIC (Increased Creepage)		RI-8-1
ADUM6028-5WBRIZ-RL	-40°C to +125°C	8-Lead SOIC (Increased Creepage)	Reel, 1500	RI-8-1

<sup>1</sup> Z = RoHS Compliant Part.

<sup>2</sup> W = Qualified for Automotive Applications.

## EVALUATION BOARDS

Model <sup>1,2,3</sup>	Description
EVAL-ADuM5020EBZ	ADuM5020 Evaluation Board
EVAL-ADuM5028EBZ	ADuM5028 Evaluation Board

<sup>1</sup> Z = RoHS Compliant Part.

<sup>2</sup> The [EVAL-ADuM5020EBZ](#) is packaged with the [ADuM5020-5BRWZ](#) installed and can be used for evaluating the ADuM6020.

<sup>3</sup> The [EVAL-ADuM5028EBZ](#) is packaged with the [ADuM5028-5BRIZ](#) installed and can be used for evaluating the ADuM6028.

## AUTOMOTIVE PRODUCTS

The ADuM6020-3W, ADuM6020-5W, ADuM6028-3W, and ADuM6028-5W models are available with controlled manufacturing to support the quality and reliability requirements of automotive applications. Note that the automotive models may have specifications that differ from the commercial models; therefore, designers should review the [Specifications](#) section of this data sheet carefully. Only the automotive grade products shown are available for use in automotive applications. Contact your local Analog Devices account representative for specific product ordering information and to obtain the specific Automotive Reliability reports for these models.

## Looking for pricing, stock, or lifecycle information?

Click below to explore more details on WIN SOURCE:

- ⊖ [View ADUM6020-3BRIZ-RL on WIN SOURCE](#)
- ⊖ [Analog Devices Inc. Information](#)

## Optimize Your Supply Chain with WIN SOURCE Solutions

- ✓ Global Sourcing Solution
- ✓ Obsolete Management
- ✓ Cost Control Management
- ✓ Shortage Management
- ✓ Alternative Solution
- ✓ Excess Inventory Management