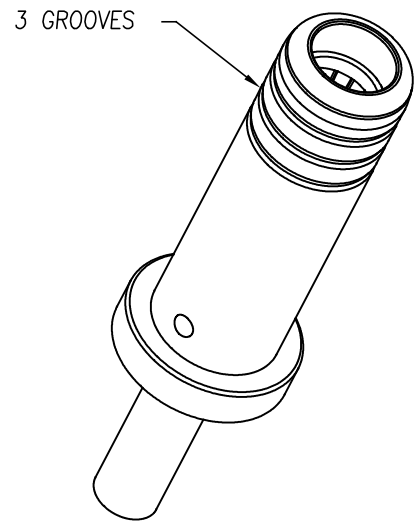
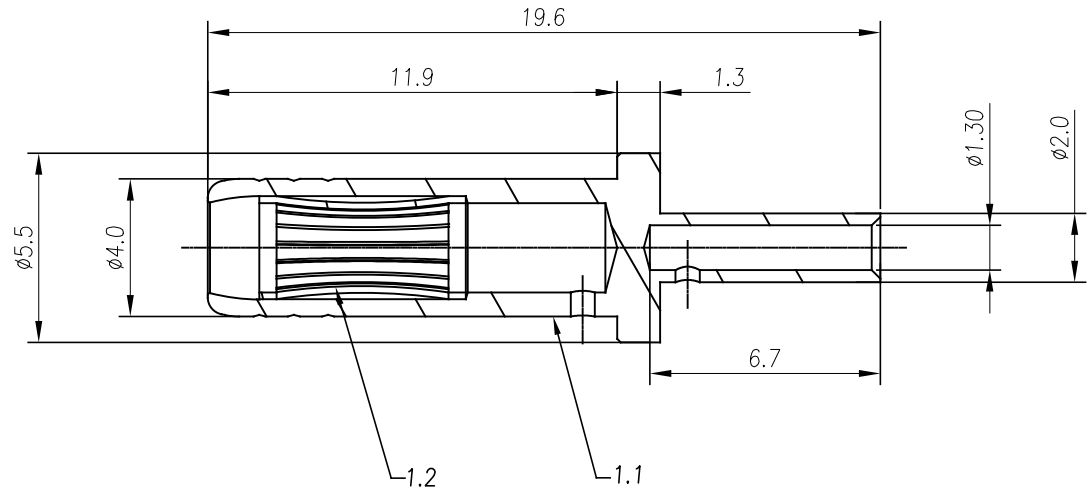




**THE DATASHEET OF
SC000706**



REVISIONS					
REV	ECO	DESCRIPTION	DATE	BY	APPR
A1	-	RELEASED DRAWING	APR-16-2020	BLINK	TOMMY



NOTES: (UNLESS OTHERWISE SPECIFIED)



1. MATERIAL:
 - 1.1 CONTACT BODY: COPPER ALLOY, SILVER PLATED.
 - 1.2 CROWN SRPRING CONTACT: COPPER ALLOY, GOLD FLASH.
2. SPECIFICATIONS:
 - 2.1 CURRENT RATING: 12A(MAX).
 - 2.2 TERMINATION TYPE: CRIMPING.
 - 2.3 WIRE RANGE: 18~20AWG .
3. SUITABLE SOCKET TYPE: SC000611&SC000565.
4. RoHS COMPLIANT.
5. ALL DIMENSIONS ARE FOR REFERENCE USE ONLY.

TITLE: 2.4MM FEMALE SURESOCKET™
 DWG NO: SC000706
 REV: A1
 SH: 1
 OF: 1

QUANTITY	PART NUMBER	DESCRIPTION	ITEM
MATERIALS LIST			
UNLESS OTHERWISE SPECIFIED 1) All dimensions are in metric(mm). 2) Tolerances are as follows: 1 PL DEC ±0.30 Fractions ±1/64 2 PL DEC ±0.15 Angles ±1° 3 PL DEC ±0.08 3) Note reference =		SIGNATURES DATE DRAWN: BLINK APR-15-2020 CHECKED: ORION APR-17-2020 ENGINEER: APPROVAL: TOMMY APR-20-2020 CUSTOMER:	
MATERIAL SPECIFICATIONS: PROCESS SPECIFICATIONS: NEXT ASSY:		Amphenol Sine Systems - www.amphenol-sine.com 44724 Morley Drive Clinton Township, MI 48036 2.4MM, FEMALE SURESOCKET™ MACHINED SOCKET, 18-20AWG THIS DRAWING IS SUPPLIED FOR INFORMATION ONLY. DESIGN FEATURES, SPECIFICATIONS AND PERFORMANCE DATA SHOWN HEREON ARE THE PROPERTY OF THE AMPHENOL CORPORATION. NO RIGHTS OF REPRODUCTION ARE IMPLIED. ALL DIMENSIONS ARE SUBJECT TO NORMAL MANUFACTURING VARIATIONS. SIZE: B TYPE: C- DWG NO: SC000706 REVISION: A1 SCALE: NONE SHEET 1 OF 1	

Looking for pricing, stock, or lifecycle information?

Click below to explore more details on WIN SOURCE:

-  [View SC000706 on WIN SOURCE](#)
-  [Amphenol Sine Systems Corp Information](#)

Optimize Your Supply Chain with WIN SOURCE Solutions

-  Global Sourcing Solution
-  Obsolete Management
-  Cost Control Management
-  Shortage Management
-  Alternative Solution
-  Excess Inventory Management