

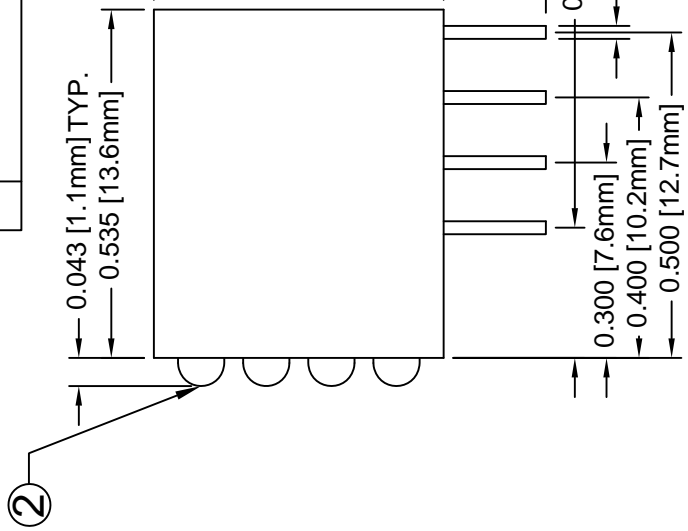
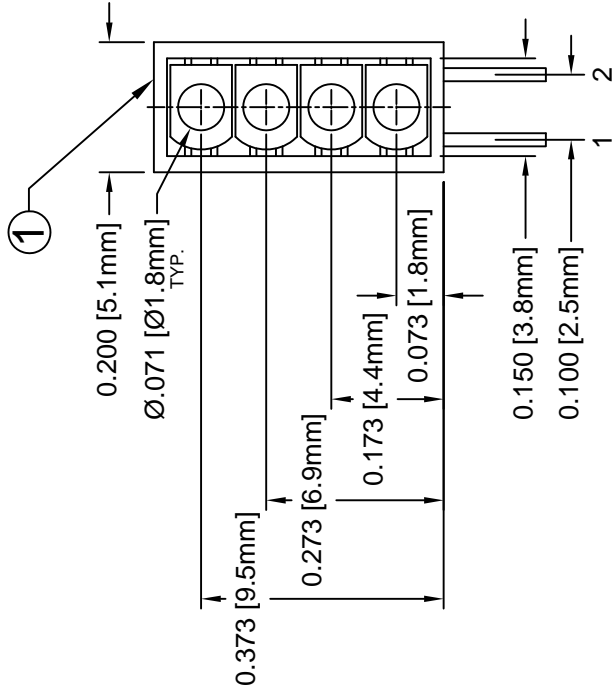


# THE DATASHEET OF H485CGDL

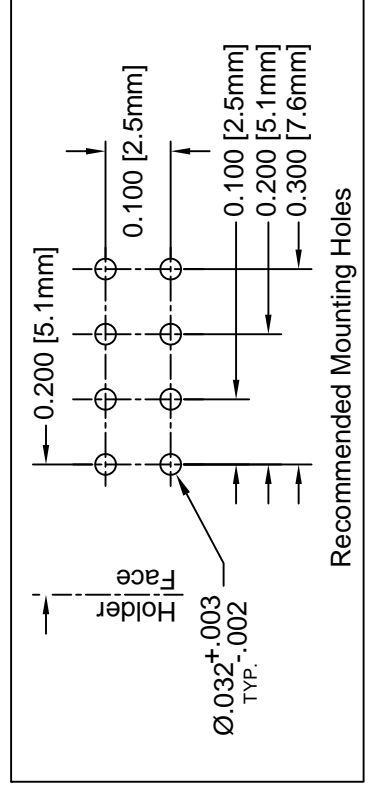
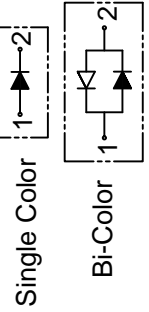


ITEM	QTY	PART NUMBER	PART DESCRIPTION
1	1	H-485C	Quad-Level Sub-Miniature (1.8mm) LED 90° Holder
2	4	1.8XXX	Sub-Miniature (1.8mm) Radial LED, See Page 2

REV.	DESCRIPTION
A	Engineering Update
B	Added P/N Configur
C	Added H485CBC & H



BI-COLOR POLARITY	
LED P/N	(1) CATHODE (2) CATHODE
1.8BC	GREEN HE RED
1.8BC-Y/G	GREEN YELLOW



**NOTE: P/N CONFIGURATION**  
**H485CXXXDXD**

H-485C  
 Holder Series

Color of top LED  
 - "X" if blank

Color of 2nd from top LED  
 - "X" if blank

Color of 3rd from top LED  
 - "X" if blank

e.g. **H485CRYGXD**

Series \_\_\_\_\_

Diffused Lens Appearance  
 No LED  
 Green, 3rd from top  
 Yellow, 2nd from top  
 Red, top LED

### ABSOLUTE MAXIMUM RATINGS (Ta=25° C)

REVERSE VOLTAGE \_\_\_\_\_ 5V

REVERSE CURRENT \_\_\_\_\_ 100uA

OPERATING TEMPERATURE RANGE \_\_\_\_\_ -25° C - 85° C

STORAGE TEMPERATURE \_\_\_\_\_ -30° C - 100° C

LEAD SOLDERING TEMPERATURE (1/16" FROM BODY) \_\_\_\_\_ 260° C FOR 5 SECONDS

STANDARD TOLERANCES (UNLESS OTHERWISE SPECIFIED)	
DECIMALS	ANGULAR
.X	°
.XX	± .1
.XXX	± .02
	± .010

DESIGNED:	<b>T. Yin</b>
CHECKED:	<b>D. Green</b>
DATE:	<b>03/0/03</b>
DATE:	<b>03/0/03</b>

LED Assy. No.	Peak Wave Length $\lambda_p$ (nm)	Emitted Color	Lens Appearance	Electro-Optical Data			
				If (mA)	Vf (V)	Iv (mcd)	
				TYP	TYP	MAX	TYP
<b>STANDARD</b>							
<b>Data @ 20m A</b>							
H485CAD	605	AMBER	DIFFUSED	20	2.0	2.8	20
H485CBWD	430	BLUE	DIFFUSED	20	4.0	4.5	10
H485CGD	568	GREEN	DIFFUSED	20	2.1	2.8	20
H485CHD	625	HE RED	DIFFUSED	20	2.0	2.8	20
H485CRD	700	RED	DIFFUSED	20	2.1	2.8	2
H485CYD	590	YELLOW	DIFFUSED	20	2.0	2.8	10
H485CBC	635	HE RED	WHITE DIFFUSED	20	2.0	2.6	4.2
	568	GREEN		20	2.2	2.6	6.5
H485CBC-Y/G	590	YELLOW	WHITE DIFFUSED	20	2.0	2.8	3.5
	568	GREEN		20	2.1	2.8	4.5
<b>LOW CURRENT</b>							
<b>Data @ 2m A</b>							
H485CADL	605	AMBER	DIFFUSED	2	2.0	2.6	2
H485CBWDL	430	BLUE	DIFFUSED	2	3.8	4.2	1
H485CGDL	568	GREEN	DIFFUSED	2	2.1	2.6	2
H485CHDL	625	HE RED	DIFFUSED	2	2.0	2.6	2
H485CYDL	590	YELLOW	DIFFUSED	2	2.0	2.6	1

STANDARD TOLERANCES  
( UNLESS OTHERWISE SPECIFIED )  
±10% ALL VALUES



DESIGNED: **T. Yin** DATE: **03/0**  
CHECKED: **D. Green** DATE: **03/0**

## Looking for pricing, stock, or lifecycle information?

Click below to explore more details on WIN SOURCE:

 [View H485CGDL on WIN SOURCE](#)

 [Bivar Inc. Information](#)

## Optimize Your Supply Chain with WIN SOURCE Solutions

-  Global Sourcing Solution
-  Obsolete Management
-  Cost Control Management
-  Shortage Management
-  Alternative Solution
-  Excess Inventory Management