



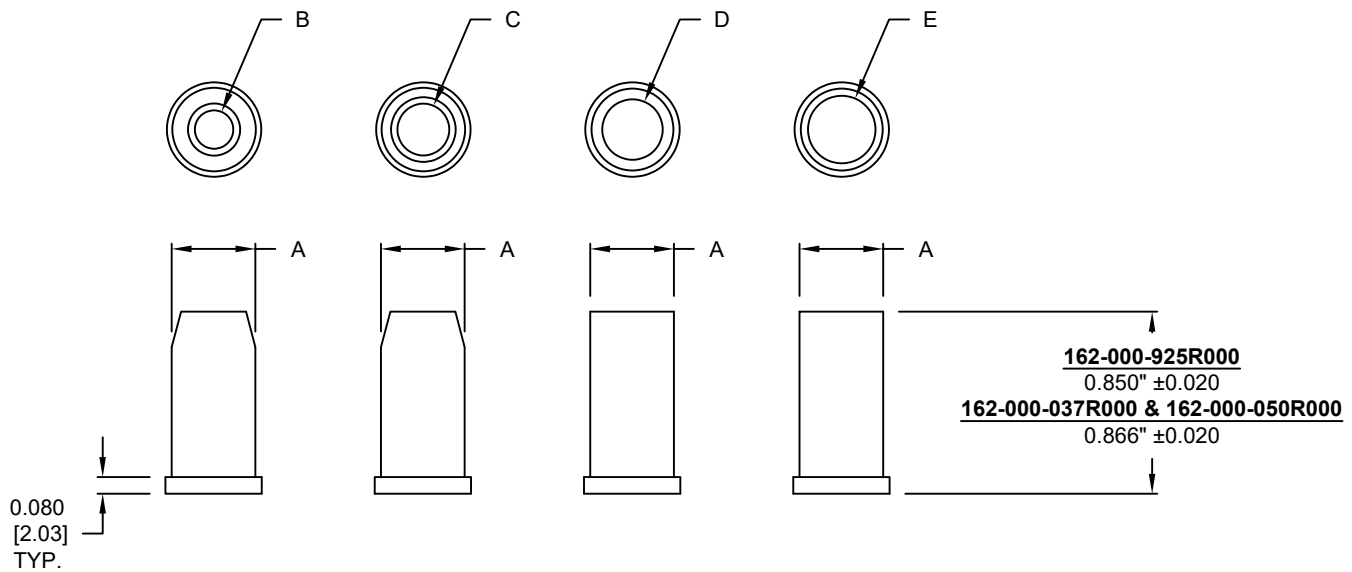
THE DATASHEET OF
162-000-037R000



DESCRIPTION: GROMMETS

MATERIAL: NON-CONDUCTIVE BLACK PVC

PART NUMBERS	OUTSIDE DIAMETER	MAX. CABLE DIAMETER			
	A	B	C	D	E
162-000-925R000	0.400	0.185	0.248	0.290	0.324
162-000-037R000	0.620	0.300	0.400	0.490	X
162-000-050R000	0.720	0.320	0.410	0.490	0.650



Only (3x) grommets included with part number 162-000-037R000.

Not designed to work with NorComp 981 Series // Please test within your application to ensure form, fit, and function if using with NorComp 981 Series.

UNITS = inch [mm]

DO NOT SCALE FROM DRAWING

	THESE DRAWINGS AND SPECIFICATIONS ARE THE PROPERTY OF NorComp AND SHALL NOT BE REPRODUCED, COPIED OR USED AS THE BASIS FOR THE MANUFACTURE OF SALE OF APPARATUS WITHOUT WRITTEN PERMISSION.		DRAWN: PAM JENKINS	DATE: 03-12-05
	<h1>NorComp</h1>		SCALE: NTS	SHEET OF REV 1 1 7
DWG NO. 162-000-YYR000				

RoHS COMPLIANT

Looking for pricing, stock, or lifecycle information?

Click below to explore more details on WIN SOURCE:

 [View 162-000-037R000 on WIN SOURCE](#)

 [NorComp Inc. Information](#)

Optimize Your Supply Chain with WIN SOURCE Solutions

-  Global Sourcing Solution
-  Obsolete Management
-  Cost Control Management
-  Shortage Management
-  Alternative Solution
-  Excess Inventory Management