



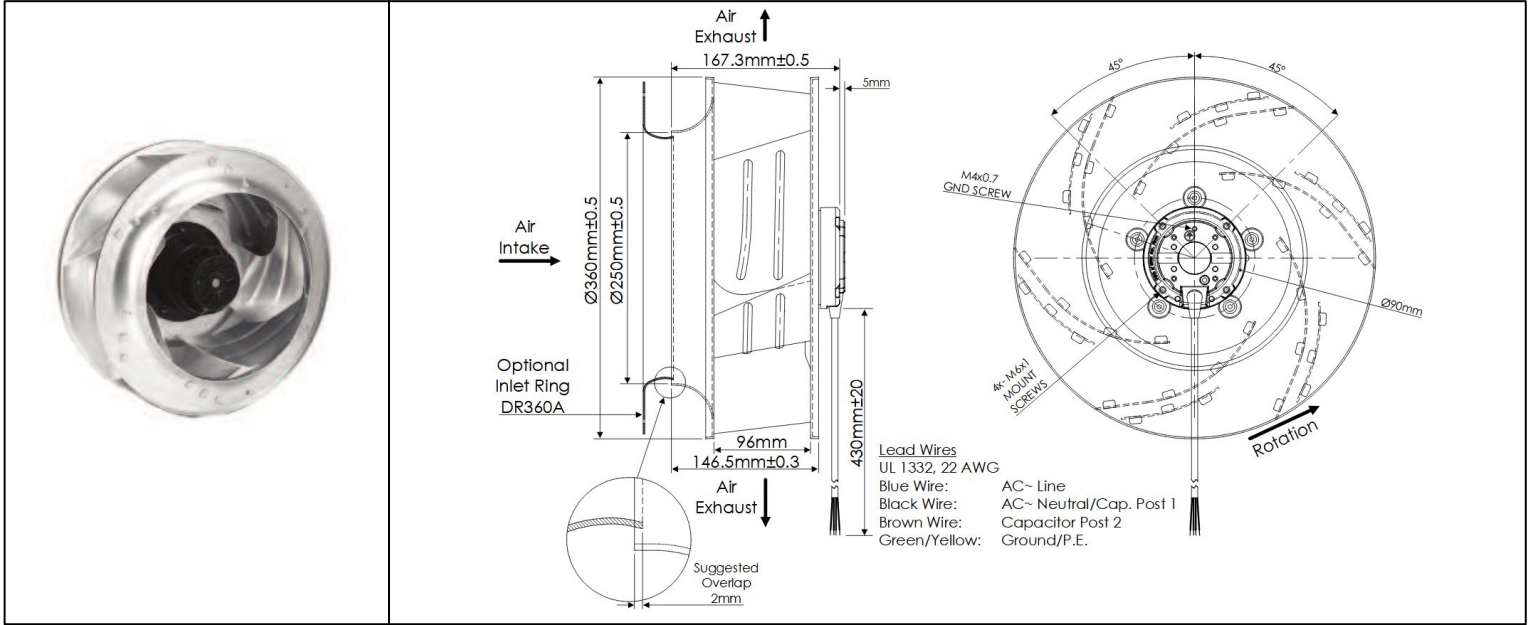
**THE DATASHEET OF  
OAB360-22-1**



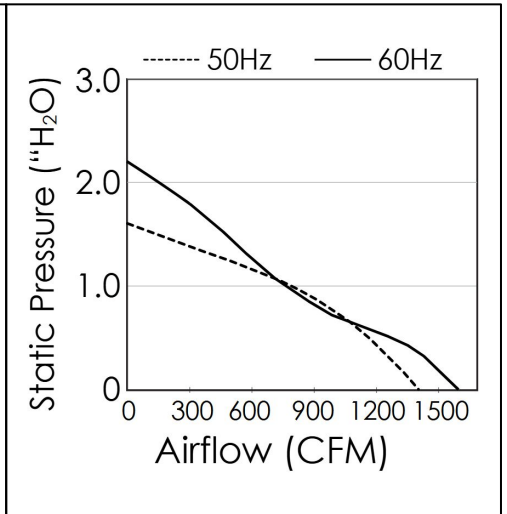
# OAB360 Series



AC Centrifugal Fans - 115, 230V  
360mm x 167mm (14.2" x 6.57")

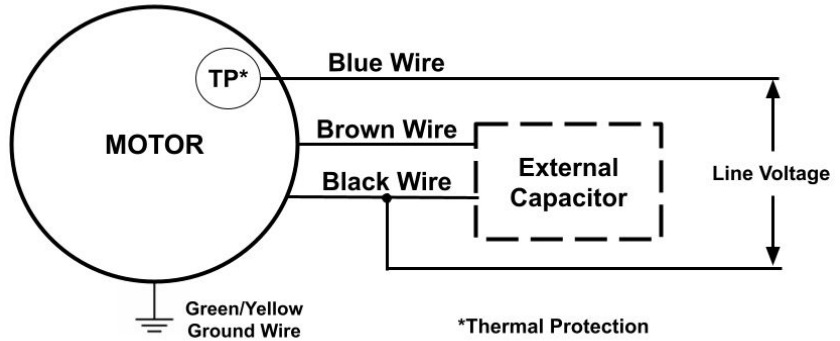


Motor Housing	Die Cast Aluminum	<b>Operating Temperature</b> -40°C ~ +50°C
Impeller	Aluminum Alloy	<b>Storage Temperature</b> -40°C ~ +80°C
Connection	4x Lead Wires, UL 2157 AWM	<b>Life Expectancy</b> 40,000 Hours (L10 at 40°C)
Motor	AC, Capacitor Induction, Thermally Protected, Class B Insulation, IP55	<b>Included Capacitors</b> 24uF/250V (-11-1 Model) 6uF/450V (-22-1 Model)
Bearing System	Ball Bearings	<b>Optional Accessories</b> DR360A Inlet Duct Ring
Dielectric Strength	1500VAC/min, <0.5mA	Weight: 11.5 lbs.
Insulation Resistance	≥10MΩ @ 500 VDC	



Part Number	Rated Voltage (Volts AC)	Voltage Range (Volts AC)	Frequency (Hertz)	Input Power (Watts)	Locked Current (Amps)	Rated Current (Amps)	Rated Speed (RPM)	Max Airflow (CFM)	Noise Level (dBA)	Max Static Pressure (H <sub>2</sub> O)
OAB360-11-1	115	100 ~ 125	50 / 60	190 / 270	3.51 / 3.26	1.70 / 2.30	1400 / 1600	1410 / 1640	68 / 73	1.6 / 2.2
OAB360-22-1	230	200 ~ 250	50 / 60	190 / 265	2.00 / 1.90	0.90 / 1.20	1400 / 1600	1410 / 1640	68 / 73	1.6 / 2.2

Motor Wiring Diagram



## Looking for pricing, stock, or lifecycle information?

Click below to explore more details on WIN SOURCE:

 [View OAB360-22-1 on WIN SOURCE](#)

 [Orion Fans Information](#)

## Optimize Your Supply Chain with WIN SOURCE Solutions

-  Global Sourcing Solution
-  Obsolete Management
-  Cost Control Management
-  Shortage Management
-  Alternative Solution
-  Excess Inventory Management