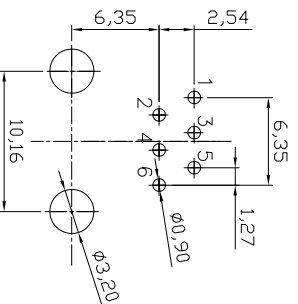
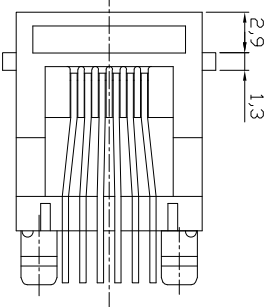
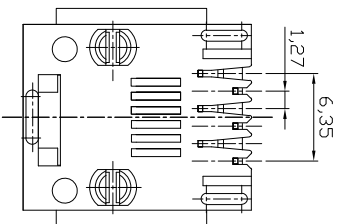
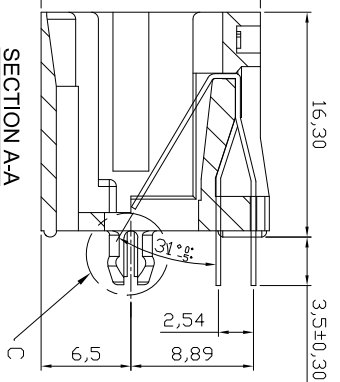




**THE DATASHEET OF  
A-2014-1-2**



3	4	5	6	7
---	---	---	---	---



**NOTES:**

Mechanical:  
1. Housing material : Glass Filled Polyester UL94V-0 ,

2. Contact material: Phosphor Bronze  $t=0.35\text{mm}$

3. Contact plating: Contact area--Selective gold plating

Tails---Tin plating all over 50u" Nickel

4. Operating Life: 750 Cycles min.

5. PCB Retention Pre-solder: 1 LB min.

6. PCB Retention Post-solder: 10 LBS min.

**Electrical:**

1. Voltage Rating: 125VAC.

2. Current Rating: 1.5AMP.

3. Contact Resistance: 30m $\Omega$  max.

4. Insulation Resistance: 1000M $\Omega$  min. @ 500 VDC

5. Dielectric Strength: 750 VAC 50Hz, 1 min.

**Environmental:**

1. Storage: -40°C To +85°C

2. Operation: -40°C~+85°C

3. Wave Soldering Temp: 200~220°C(5~10S)

Packing: 100pcs/Tray, 3200pcs/Carton

Order code: A-2014-1-X

**Contact plating:**

1: selective 15u" gold

2: selective 30u" gold

3: selective 50u" gold

PC Board Layout  
Component Side Shown

Free									
RANGE									
±0.20			Drawn	27.05.2013	Amy				
±0.15			Approved	27.05.2013	Amy				
±0.10									
TOL									

ASSMANN components

ASS 5703 CO rev00



ASSMANN components

A-2014-1-X SHEET

±5°	Id.	Modification	Date	Name					
3	3	4	5	6	7				

## Looking for pricing, stock, or lifecycle information?

Click below to explore more details on WIN SOURCE:

-  [View A-2014-1-2 on WIN SOURCE](#)
-  [Assmann WSW Components](#) Information

## Optimize Your Supply Chain with WIN SOURCE Solutions

-  Global Sourcing Solution
-  Obsolete Management
-  Cost Control Management
-  Shortage Management
-  Alternative Solution
-  Excess Inventory Management