



THE DATASHEET OF
R95-191

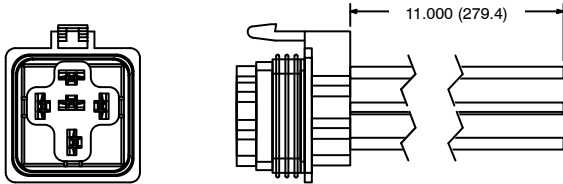


Accessories

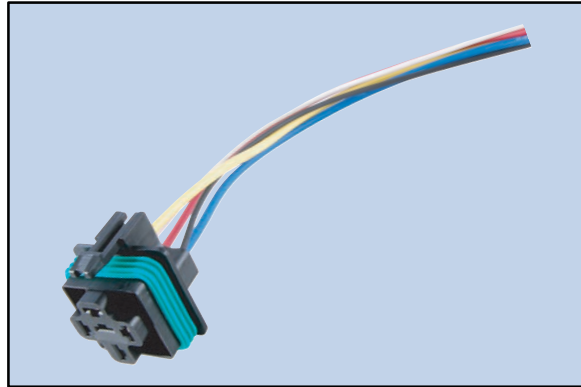
R95-191

Features

- For Weatherproof R51 Series Relays
- 18 AWG Coil and 14 AWG Contacts
- 11 Inch Wire Leads



5-Pin Weatherproof Automotive Socket w/Wire Leads

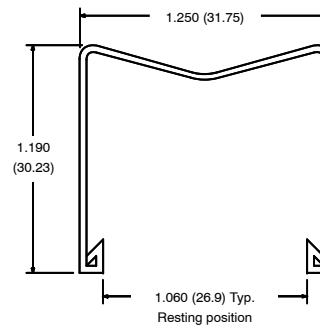


RLY9009

For use with the following sockets:

- R95-132
- R95-133

Hold Down Clip

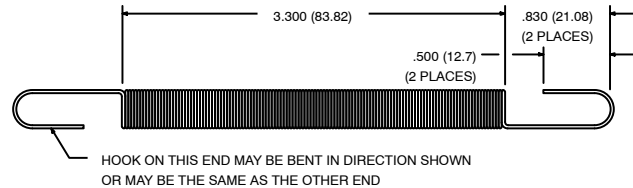


RLY9010

For use with the following sockets:

- R95-101
- R95-102
- R95-104
- R95-113
- R95-114
- R95-115
- R95-116
- R95-117
- R95-118
- R95-119
- R95-123
- R95-124
- R95-156
- R95-159

Hold Down Spring

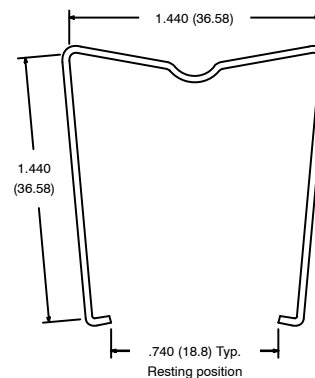


RLY9011

For use with the following sockets:


- RLY9134
- RLY9135


Hold Down Clip



Looking for pricing, stock, or lifecycle information?

Click below to explore more details on WIN SOURCE:

 [View R95-191 on WIN SOURCE](#)

 [NTE Information](#)

Optimize Your Supply Chain with WIN SOURCE Solutions

-  Global Sourcing Solution
-  Obsolete Management
-  Cost Control Management
-  Shortage Management
-  Alternative Solution
-  Excess Inventory Management