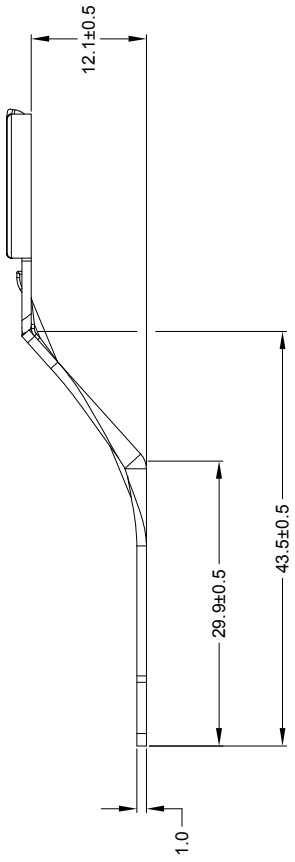
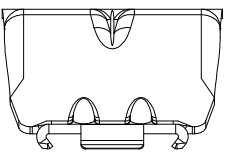
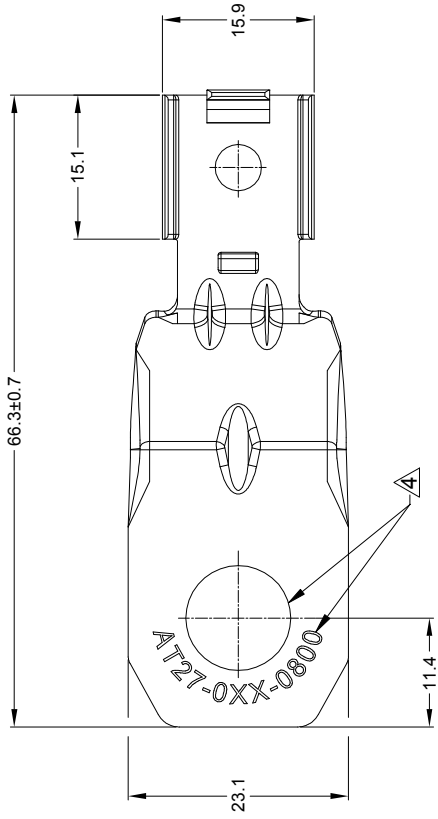




**THE DATASHEET OF  
AT27-014-0800**



REV	EC
A1	-



NOTES: UNLESS OTHERWISE SPECIFIED

- USE WITH CONNECTORS  
A. AT04-08P\* (\* ALL MODIFICATIONS AND/OR COLORS )
- RoHS COMPLIANT
- ALL DIMENSIONS ARE FOR REFERENCE USE ONLY.

△ PART INFORMATION:

PART NUMBER	MATERIAL	HOLE DIAMETER
AT27-001-0800	STAINLESS STEEL	11.0mm
AT27-002-0800	STEEL-ZINC PLATED	13.0mm
AT27-006-0800	STAINLESS STEEL	13.0mm
AT27-014-0800	STEEL-ZINC PLATED	8.2mm

QUANTITY

SEE TABLE

PART NUMBER

UNLESS OTHERWISE SPECIFIED  
TOLERANCES ARE IN MILLIMETERS (mm).

1. PL DEC ±0.30  
2. TOLERANCES ARE AS FOLLOWS:  
3. PL DEC ±0.08

FRACCTIONS ±1/64  
ANGLES ±1°

3) Note reference = △

ENGINEERING

APPROVALS

CUSTOMER

DATE



SPECIFICATIONS

OF THE PART

MANUFACTURED

## Looking for pricing, stock, or lifecycle information?

Click below to explore more details on WIN SOURCE:

-  [View AT27-014-0800 on WIN SOURCE](#)
-  [Amphenol Sine Systems Corp Information](#)

## Optimize Your Supply Chain with WIN SOURCE Solutions

-  Global Sourcing Solution
-  Obsolete Management
-  Cost Control Management
-  Shortage Management
-  Alternative Solution
-  Excess Inventory Management