

CND0209A

Infrared Optocal Module (IrDA)

Infrared data link for cellular phones, peripheral devices

■ Features

- Compliant with IrDA Ver.1.2
- Light emitting function for remote controller
- Corresponding reflow solder (260°C)
- Ultra-small top view package (2.0 mm × 8.2 mm × 1.7 mm)

■ Type

- GaAlAs LED + IC + PIN Photodiode

■ Absolute Maximum Ratings $T_a = 25^\circ\text{C} \pm 3^\circ\text{C}$

Parameter	Symbol	Rating	Unit
Operating supply voltage	V_{CC}	-0.5 to +3.8	V
Output voltage	V_O	-0.5 to +3.8	V
Input voltage	V_I	-0.5 to +3.8	V
Shutdown input voltage	V_{SD}	-0.5 to +3.8	V
LED operating supply voltage	V_{LEDA}	-0.5 to +7.0	V
Pulse forward current *	I_{FP}	300	mA
Low level output current	I_{OL}	10	mA
Operating ambient temperature	T_{opr}	-20 to +70	°C
Storage temperature	T_{stg}	-30 to +85	°C

Note) *: $t_w \leq 90 \mu\text{s}$, Duty $\leq 25\%$

■ Operating Condition

Parameter	Symbol	Conditions	Min	Typ	Max	Unit
Operating supply voltage	V_{CC}		2.4	2.8	3.3	V
LED operating supply voltage	V_{LEDA}		2.8		4.5	V

■ Electrical-Optical Characteristics $V_{CC} = 2.8 \text{ V}$, $T_a = 25^\circ\text{C} \pm 3^\circ\text{C}$

Parameter	Symbol	Conditions	Min	Typ	Max	Unit
High level supply current *1	I_{CCH}	$E_I = 0$, $V_I = 0.5 \text{ V}$, $V_{SD} \leq 0.5 \text{ V}$		90	120	μA
Low level supply current *1	I_{CCL}	$E_I = 3 \text{ mW/cm}^2$, $V_I = 0.5 \text{ V}$, $V_{SD} \leq 0.5 \text{ V}$		150	360	μA
Shut down supply current *1	I_{CCSD}	$V_I = 0.5 \text{ V}$, $V_{CC} \geq V_{SD} \geq V_{CC} \times 0.8$ (SD = High)		10	200	nA
Maximum reception distance *4	L_{max}	$V_{LEDA} = 3.2 \text{ V to } 4.2 \text{ V}$, $V_{SD} \leq 0.5 \text{ V}$, External components	23			cm
Minimum reception distance	L_{min}	$V_{LEDA} = 2.8 \text{ V to } 4.2 \text{ V}$, LED power: 150 mW/sr			0	cm
Data Rates	—		9.6		115.2	kbps
RC maximum reception distance	L_{maxR}	$V_{LEDA} = 3.2 \text{ V}$, $V_{CC} \geq V_{SD} \geq V_{CC} - 0.3 \text{ V}$ RC Receiver sensitivity = 0.0125 $\mu\text{W/cm}^2$	10			m

■ Electrical-Optical Characteristics (Continued) $V_{CC} = 2.8 \text{ V}$, $T_a = 25^\circ\text{C} \pm 3^\circ\text{C}$

Parameter	Symbol	Conditions	Min	Typ	Max	Unit
Transmitter						
Peak emission wavelength *1	λ_p	$V_{SD} \leq 0.5 \text{ V}$ (IrDA mode), $V_{LEDA} = 3.2 \text{ V}$, Duty 3/16	878		888	nm
		$V_{SD} \leq 0.5 \text{ V}$ (IrDA mode), $V_{LEDA} = 3.2 \text{ V}$, Duty 3/16, $T_a = -20^\circ\text{C}$ to $+70^\circ\text{C}$	850		900	nm
		$V_{CC} = 3.0 \text{ V}$, $V_{SD} \leq 0.5 \text{ V}$, (RC mode) $V_{LEDA} = 2.8 \text{ V}$, Duty 25%	878		910	nm
Pulse forward current *1	I_{FP}	$V_{LEDA} = 3.2 \text{ V}$, $V_{SD} \leq 0.5 \text{ V}$, I-TXD Duty 3/16, R-TXD $\leq 0.5 \text{ V}$	40	60	90	mA
		$V_{LEDA} = 4.2 \text{ V}$, $V_{SD} \leq 0.5 \text{ V}$, R-TXD Duty 25%, I-TXD $\leq 0.5 \text{ V}$	220	250	280	mA
		$V_{LEDA} = 3.2 \text{ V}$, $V_{SD} \leq 0.5 \text{ V}$, R-TXD Duty 25%, I-TXD $\leq 0.5 \text{ V}$	170	200	230	mA
Center radiant intensity *1, 2, 9	$\theta_T = 0$	$V_{LEDA} = 3.2 \text{ V}$, $V_{SD} \leq 0.5 \text{ V}$, I-TXD Duty 3/16, R-TXD $\leq 0.5 \text{ V}$ (IrDA mode)	9	20		mW/sr
		$V_{LEDA} = 4.2 \text{ V}$, $V_{SD} \leq 0.5 \text{ V}$, R-TXD Duty 25%, I-TXD $\leq 0.5 \text{ V}$ (RC mode)	40	73		mW/sr
		$V_{LEDA} = 3.2 \text{ V}$, $V_{SD} \leq 0.5 \text{ V}$, R-TXD Duty 25%, I-TXD $\leq 0.5 \text{ V}$ (RC mode)	36	68		mW/sr
	$\theta_T = \pm 15$	$V_{LEDA} = 3.2 \text{ V}$, $V_{SD} \leq 0.5 \text{ V}$, I-TXD Duty 3/16, R-TXD $\leq 0.5 \text{ V}$ (IrDA mode)	6	10		mW/sr
		$V_{LEDA} = 4.2 \text{ V}$, $V_{SD} \leq 0.5 \text{ V}$, R-TXD Duty 25%, I-TXD $\leq 0.5 \text{ V}$ (RC mode)	28	40		mW/sr
		$V_{LEDA} = 3.2 \text{ V}$, $V_{SD} \leq 0.5 \text{ V}$, R-TXD Duty 25%, I-TXD $\leq 0.5 \text{ V}$ (RC mode)	28	38		mW/sr
High level input voltage *1	V_{IH}	I-TXD $V_{CC} = 2.4 \text{ V}$ to 3.3 V , $V_{SD} \leq 0.5 \text{ V}$	$V_{CC} - 0.3$		V_{CC}	V
		R-TXD $V_{CC} = 2.4 \text{ V}$ to 3.3 V , $V_{SD} \leq 0.5 \text{ V}$	1.5	1.8	V_{CC}	V
Low level input voltage *1	V_{IL}	$V_{CC} = 2.4 \text{ V}$ to 3.3 V , $V_{SD} \leq 0.5 \text{ V}$	0		0.7	V
TX half-angle	θ_T		± 15			°
Rise time *1, 3	t_r	$V_{LEDA} = 3.2 \text{ V}$, $t_w = 1.6 \mu\text{s}$, $R_L = 50 \Omega$		0.3	0.6	μs
Fall time *1, 3	t_f	$V_{LEDA} = 3.2 \text{ V}$, $t_w = 1.6 \mu\text{s}$, $R_L = 50 \Omega$		0.3	0.6	μs
TX wake up time *7	t_{Twu}			0.3	1	μs
Intensity delay time *1, 3	I_{DT}	$V_{LEDA} = 3.2 \text{ V}$			400	ns
Maximum pulse width	$T_{wLEDmax}$	I-TXD, R-TXD = Low \rightarrow High	20	50	100	μs
Overshoot	O_S				25	%
Edge jitter	E_J		-40		40	ns

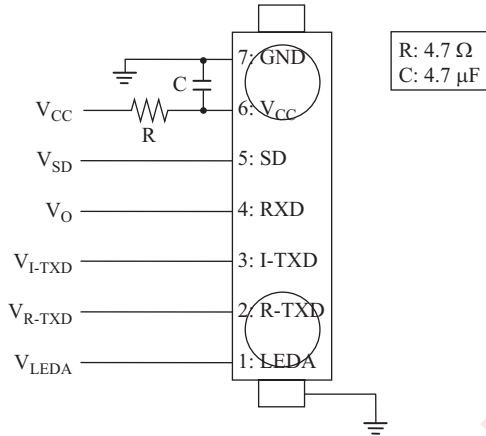
■ Electrical-Optical Characteristics (Continued) $V_{CC} = 2.8 \text{ V}$, $T_a = 25^\circ\text{C} \pm 3^\circ\text{C}$

Parameter	Symbol	Conditions	Min	Typ	Max	Unit
Receiver						
Minimum input irradiance	$E_{I\min}$	$V_{SD} \leq 0.5 \text{ V}$		2.3	6.8	$\mu\text{W}/\text{cm}^2$
Maximum input irradiance	$E_{I\max}$	$V_{SD} \leq 0.5 \text{ V}$	500			mW/cm^2
High level output voltage *5	V_{OH}	Non signal condition $I_{OH} = -200 \mu\text{A}$, $V_{SD} \leq 0.5 \text{ V}$	$V_{CC} - 0.3$		V_{CC}	V
Low level output voltage *6	V_{OL}	$I_{OL} = 500 \mu\text{A}$, $V_{SD} \leq 0.5 \text{ V}$			0.5	V
RX half angle	θ_R		± 15			°
RXD output pulse width	T_{WR}	$C_L = 15 \text{ pF}$, 9.6 kbps to 115.2 kbps	1.3	2.3	4.2	μs
RX wake up time *8	t_{Rwu}	$E_I = 8.1 \mu\text{W}/\text{cm}^2$		250	400	μs
Receiver latency time	t_L	$E_I = 8.1 \mu\text{W}/\text{cm}^2$		100	200	μs
Rise time	t_r	$C_L = 15 \text{ pF}$		100	300	ns
Fall time	t_f	$C_L = 15 \text{ pF}$		100	300	ns

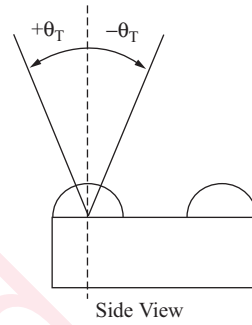
■ Electrical-Optical Characteristics (Continued)

Note) Measuring circuit

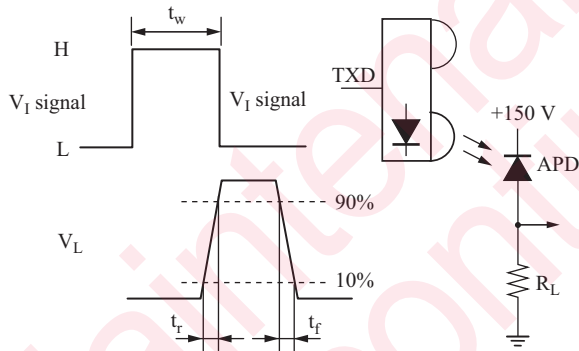
*1:



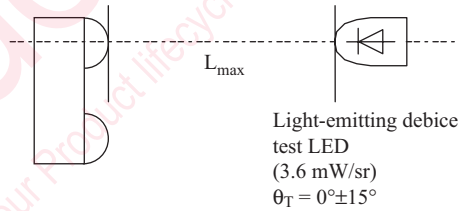
*2:



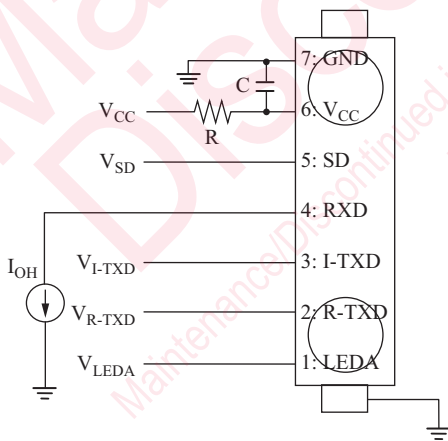
*3:



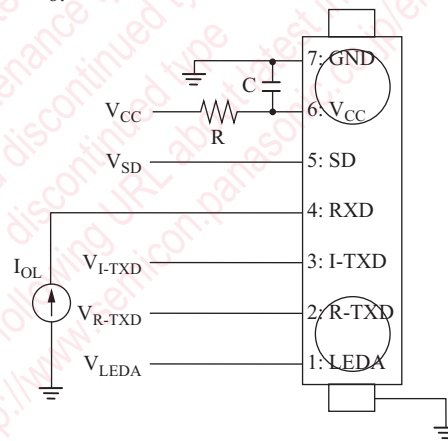
*4:



*5:

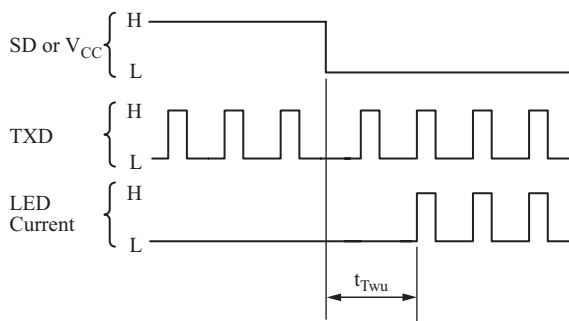


*6:



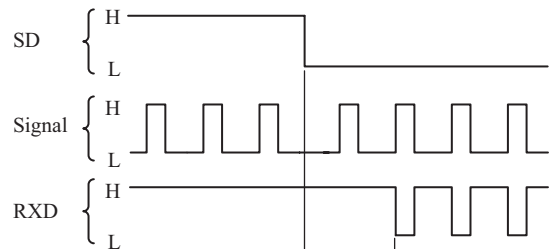
*7:

TX wake up time



*8:

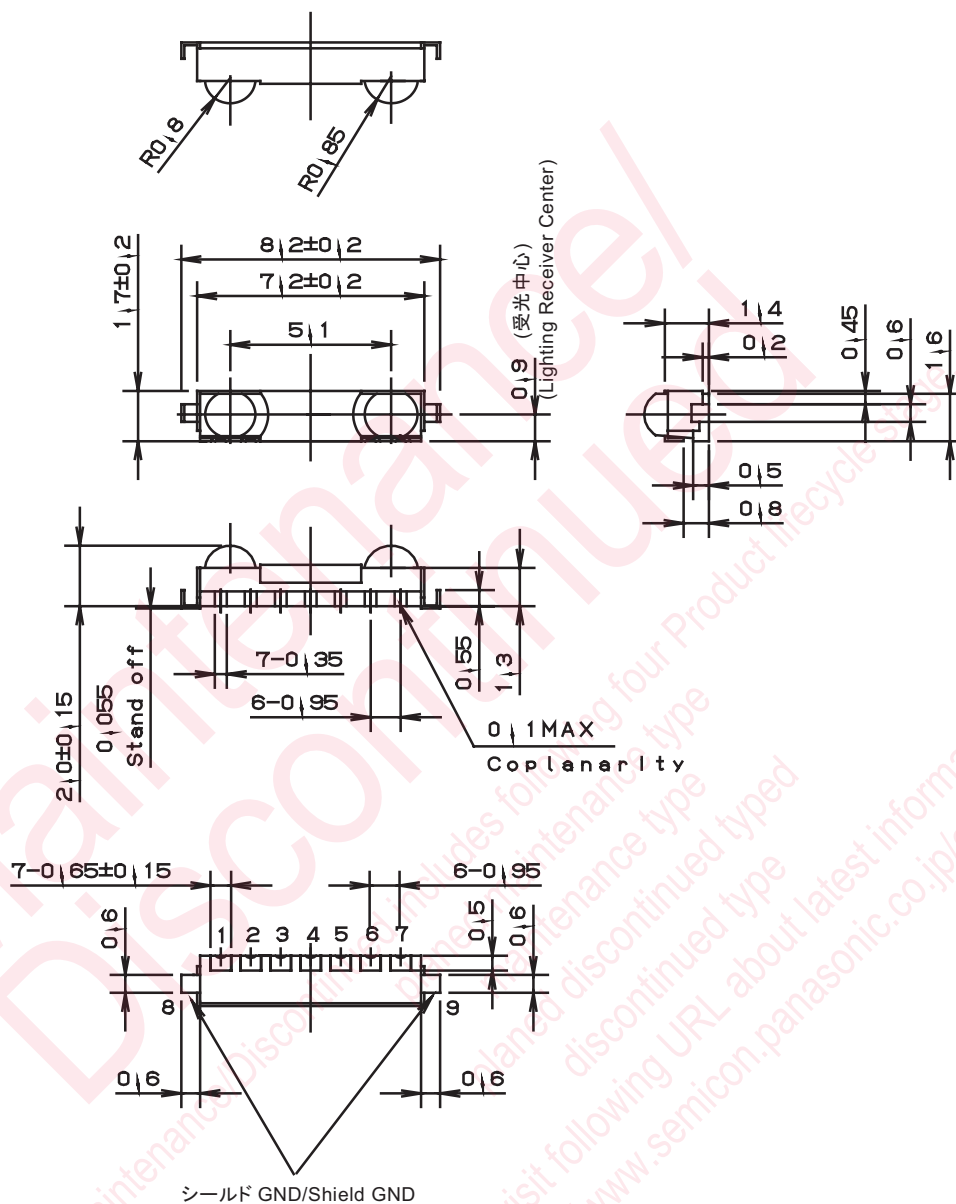
RX wake up time



*9: Eye-Safety IEC60825-1 Class1 Eye safe

■ Package (Unit: mm)

KMTLTM7K0001



• Pin name

- | | |
|----------|---------------|
| 1. LEDA | 6. V_{CC} |
| 2. R-TXD | 7. GND |
| 3. I-TXD | 8. Shield GND |
| 4. RXD | 9. Shield GND |
| 5. SD | |

utions in using the technical information and scribed in this book

book is to be exported or provided to non-residents, the laws and
d to security export control, must be observed.

y to show the main characteristics and application circuit examples
property right or other right owned by Panasonic Corporation or any
company as to the infringement upon any such right owned by any
information described in this book.

standard applications or general electronic equipment (such as office
and household appliances).

g applications:

obiles, traffic control equipment, combustion equipment, life support
reliability are required, or if the failure or malfunction of the prod-

are subject to change without notice for modification and/or im-
se of the products, therefore, ask for the most up-to-date Product
atisfy your requirements.

bsolute maximum rating and the guaranteed operating conditions
) . Especially, please be careful not to exceed the range of absolute
r-off and mode-switching. Otherwise, we will not be liable for any



take into the consideration of incidence of break down and failure
n the systems such as redundant design, arresting the spread of fire
al injury, fire, social damages, for example, by using the products.

own and characteristics change due to external factors (ESD, EOS,
mounting or at customer's process. When using products for which
elf life and the elapsed time since first opening the packages.

partially, without the prior written permission of our company.

Looking for pricing, stock, or lifecycle information?

Click below to explore more details on WIN SOURCE:

-  [View CND0209A on WIN SOURCE](#)
-  [Panasonic Information](#)

Optimize Your Supply Chain with WIN SOURCE Solutions

-  Global Sourcing Solution
-  Obsolete Management
-  Cost Control Management
-  Shortage Management
-  Alternative Solution
-  Excess Inventory Management