



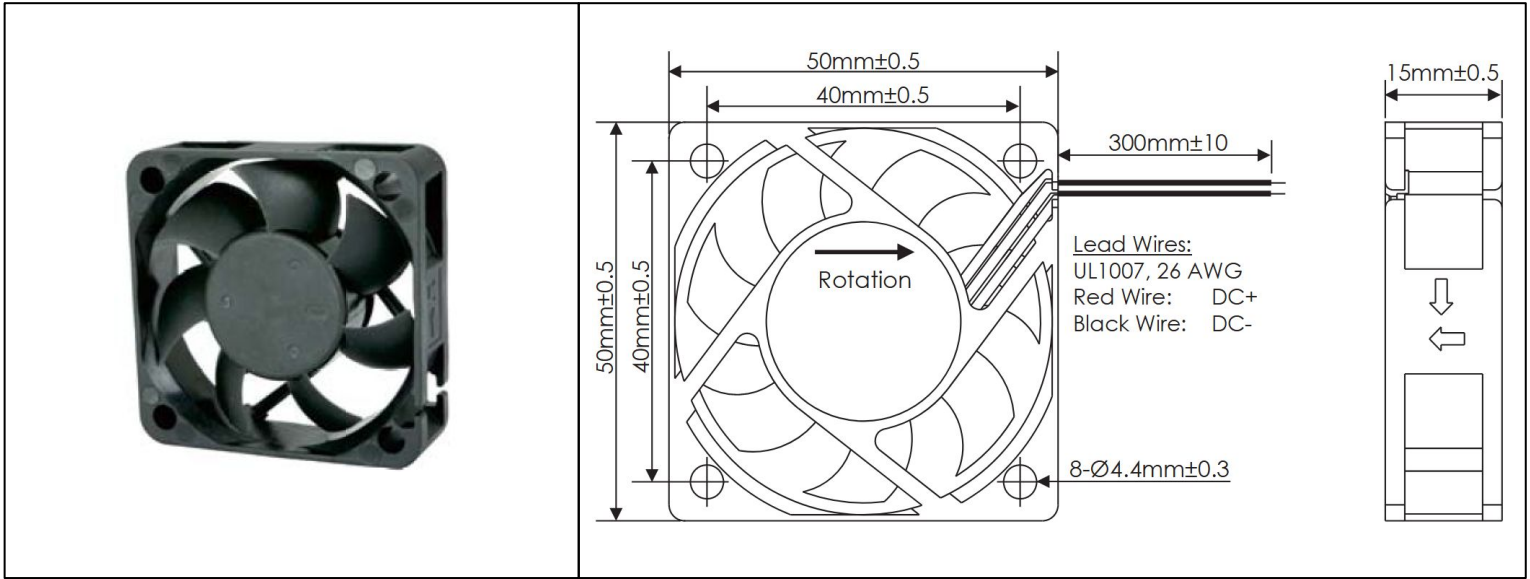
**THE DATASHEET OF
OD5015-12HB**



OD5015 Series



DC Fans - 5, 12, 24V
50mm x 50mm x 15mm
(2.0" x 2.0" x 0.6")



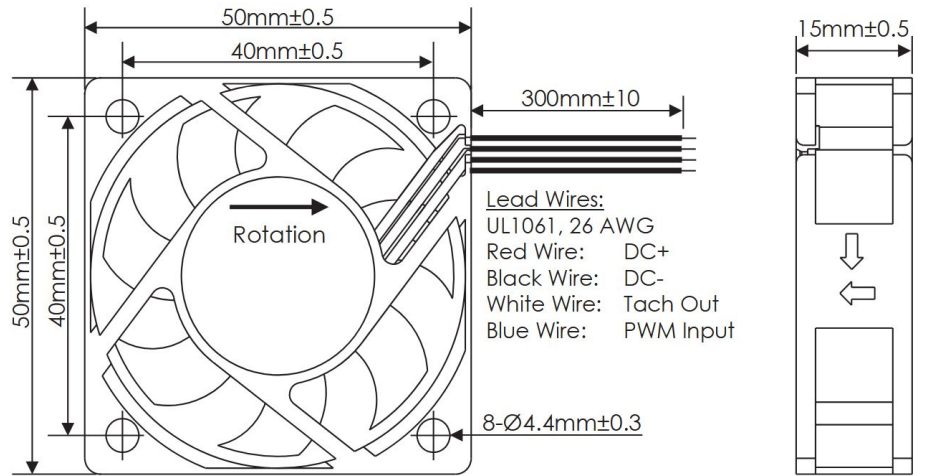
Frame	PBT, UL94 V-0 Plastic	Operating Temperature -20°C ~ +65°C Storage Temperature -20°C ~ +75°C Life Expectancy 70,000 Hours (L10 at 40°C) Available Options PWM Speed Control Input Tachometer Outputs Alarm Outputs IP Ratings 48V Option Weight: 0.08 lbs	
Impeller	PBT, UL94 V-0 Plastic		
Connection	2x Wire Leads, 26 AWG		
Motor	Brushless DC, Auto Cutoff, Auto Restart, Electronically Protected, Polarity Protected		
Bearing System	Ball Bearings		
Dielectric Strength	500VDC/min, <1mA		
Insulation Resistance	≥10MΩ @ 500VDC		

Part Number	Rated Voltage (Volts DC)	Voltage Range (Volts DC)	Input Power (Watts)	Rated Current (Amps)	Rated Speed (RPM)	Max Airflow (CFM)	Noise Level (dBA)	Max Static Pressure (\"H ₂ O)
OD5015-05HB	5	4.5 ~ 5.5	0.8	0.13	5475	14	32.1	0.20
OD5015-05MB	5	4.5 ~ 5.5	0.5	0.08	4180	11	25.2	0.16
OD5015-12HHB	12	9 ~ 13.8	2.4	0.20	6950	17	36.2	0.25
OD5015-12HB	12	9 ~ 13.8	1.1	0.09	5475	14	32.1	0.20
OD5015-12MB	12	9 ~ 13.8	0.8	0.06	4180	11	25.2	0.16
OD5015-24HB	24	16 ~ 26	1.5	0.06	5475	14	32.1	0.20
OD5015-24MB	24	16 ~ 26	1.0	0.04	4180	11	25.2	0.16

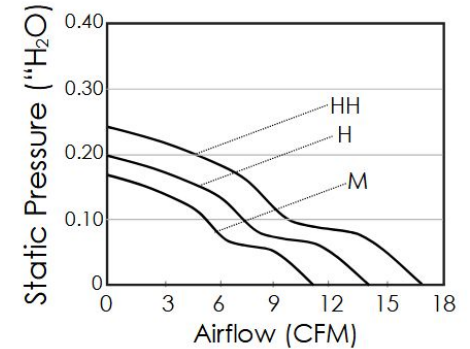
OD5015 Series with PWM and Tachometer



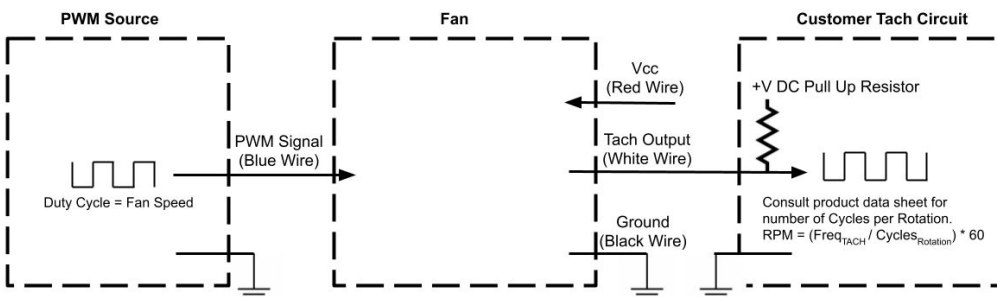
DC Fans - 5, 12, 24V
50mm x 50mm x 15mm
(2.0" x 2.0" x 0.6")



Frame	PBT, UL94 V-0 Plastic	Operating Temperature -20°C ~ +65°C
Impeller	PBT, UL94 V-0 Plastic	
Connection	4x Wire Leads, 26 AWG	Storage Temperature -20°C ~ +75°C
Motor	Brushless DC, Auto Cutoff, Auto Restart, Electronically Protected, Polarity Protected	
Bearing System	Ball Bearings	Life Expectancy 70,000 Hours (L10 at 40°C)
Dielectric Strength	500VDC/min, <1mA	
Insulation Resistance	≥10MΩ @ 500VDC	Installed Options PWM Speed Control Input Open Collector Tach Outputs
		Available Options 5V TTL Tach Output
		Weight: 0.08 lbs



Part Number	Rated Voltage (Volts DC)	Voltage Range (Volts DC)	Input Power (Watts)	Rated Current (Amps)	Rated Speed (RPM)	Max Airflow (CFM)	Noise Level (dBA)	Max Static Pressure ("H ₂ O)
OD5015-05HB10A	5	4.5 ~ 5.5	0.8	0.13	5475	14	32.1	0.20
OD5015-05MB10A	5	4.5 ~ 5.5	0.5	0.08	4180	11	25.2	0.16
OD5015-12HHB10A	12	9 ~ 13.8	2.4	0.20	6950	17	36.2	0.25
OD5015-12HB10A	12	9 ~ 13.8	1.1	0.09	5475	14	32.1	0.20
OD5015-12MB10A	12	9 ~ 13.8	0.8	0.06	4180	11	25.2	0.16
OD5015-24HB10A	24	16 ~ 26	1.5	0.06	5475	14	32.1	0.20
OD5015-24MB10A	24	16 ~ 26	1.0	0.04	4180	11	25.2	0.16

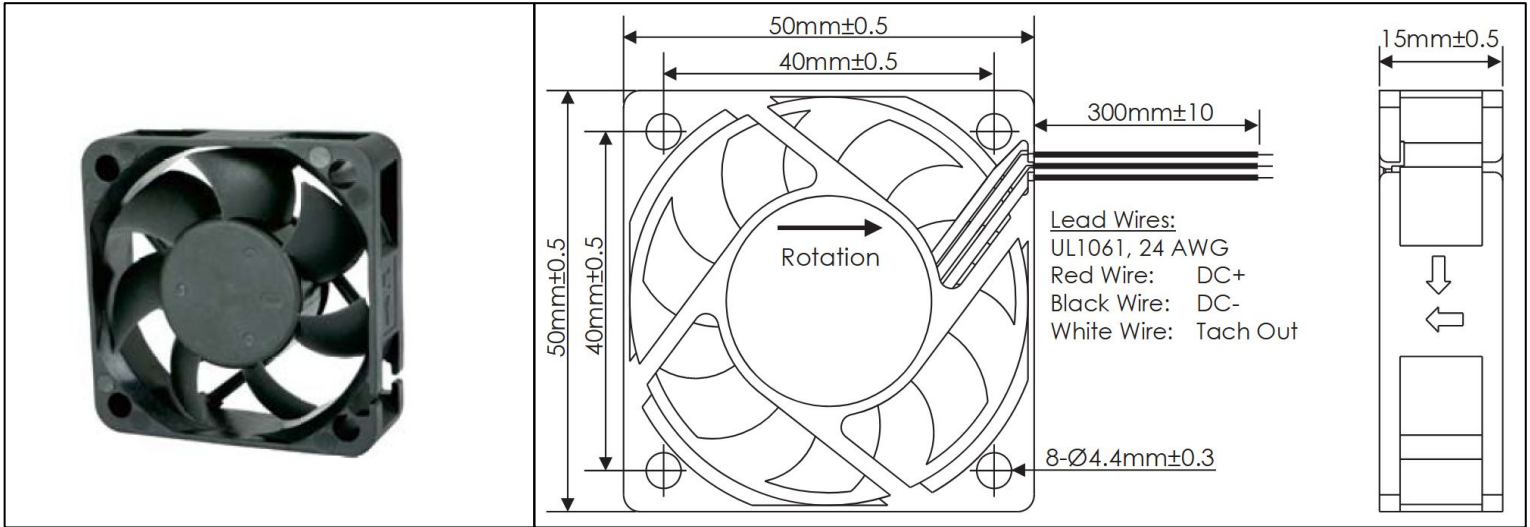


PWM Max High Voltage: 5.5V
 PWM Max Sink Current: 5mA
 PWM Frequency Range: 1KHz-100KHz
 PWM Typical Frequency: 25KHz
 RPM at 0% Duty Cycle: 0 RPM
 RPM will be full speed if PWM input is disconnected.
 RPM will be 0 if PWM input is 0V or grounded.
 Tach Max Pullup Voltage: Fan Vcc
 Tach Max Sink Current: 5mA
 Tach Cycles per Rotation: 2

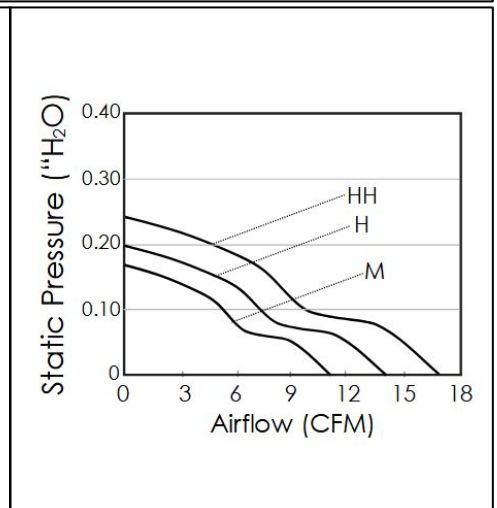
OD5015 Series with Tachometer



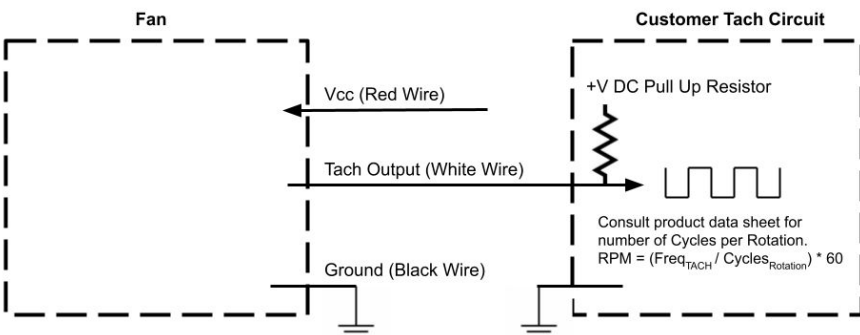
DC Fans - 5, 12, 24V
50mm x 50mm x 15mm
(2.0" x 2.0" x 0.6")



Frame	PBT, UL94 V-0 Plastic	<u>Operating Temperature</u> -20°C ~ +65°C
Impeller	PBT, UL94 V-0 Plastic	
Connection	3x Wire Leads, 24 AWG	<u>Storage Temperature</u> -20°C ~ +75°C
Motor	Brushless DC, Auto Cutoff, Auto Restart, Electronically Protected, Polarity Protected	
Bearing System	Ball Bearings	<u>Life Expectancy</u> 70,000 Hours (L10 at 40°C)
Dielectric Strength	500VDC/min, <1mA	<u>Installed Options</u> Open Collector Tach Outputs
Insulation Resistance	≥10MΩ @ 500VDC	<u>Available Options</u> 5V TTL Tach Output
		Weight: 0.08 lbs



Part Number	Rated Voltage (Volts DC)	Voltage Range (Volts DC)	Input Power (Watts)	Rated Current (Amps)	Rated Speed (RPM)	Max Airflow (CFM)	Noise Level (dBA)	Max Static Pressure (H ₂ O)
OD5015-05HB01A	5	4.5 ~ 5.5	0.8	0.13	5475	14	32.1	0.20
OD5015-05MB01A	5	4.5 ~ 5.5	0.5	0.08	4180	11	25.2	0.16
OD5015-12HHB01A	12	9 ~ 13.8	2.4	0.20	6950	17	36.2	0.25
OD5015-12HB01A	12	9 ~ 13.8	1.1	0.09	5475	14	32.1	0.20
OD5015-12MB01A	12	9 ~ 13.8	0.8	0.06	4180	11	25.2	0.16
OD5015-24HB01A	24	16 ~ 26	1.5	0.06	5475	14	32.1	0.20
OD5015-24MB01A	24	16 ~ 26	1.0	0.04	4180	11	25.2	0.16

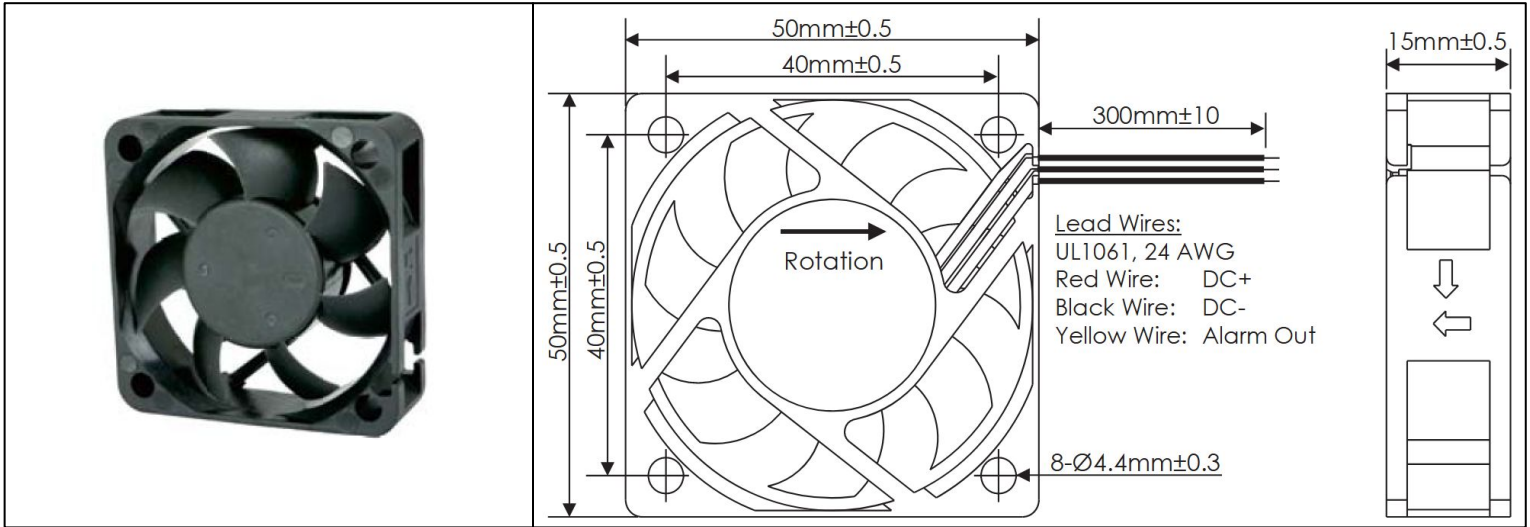


Tach Max Pullup Voltage: Fan Vcc
Tach Max Sink Current: 5mA
Tach Cycles per Rotation: 2

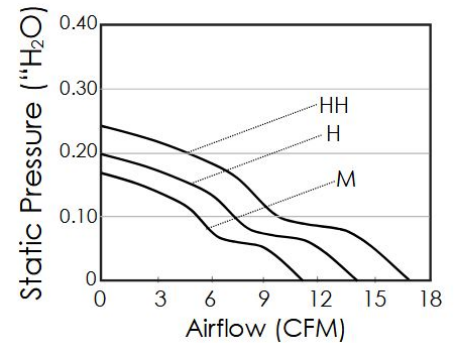
OD5015 Series with Alarm



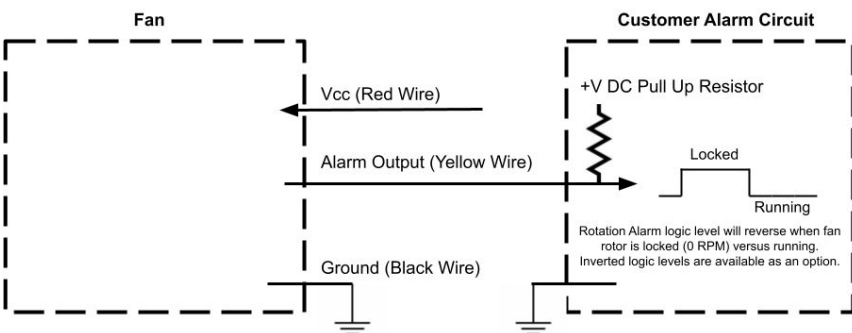
DC Fans - 5, 12, 24V
50mm x 50mm x 15mm
(2.0" x 2.0" x 0.6")



Frame	PBT, UL94 V-0 Plastic	Operating Temperature -20°C ~ +65°C
Impeller	PBT, UL94 V-0 Plastic	
Connection	3x Wire Leads, 24 AWG	Storage Temperature -20°C ~ +75°C
Motor	Brushless DC, Auto Cutoff, Auto Restart, Electronically Protected, Polarity Protected	
Bearing System	Ball Bearings	Life Expectancy 70,000 Hours (L10 at 40°C)
Dielectric Strength	500VDC/min, <1mA	
Insulation Resistance	≥10MΩ @ 500VDC	Installed Options Open Collector Alarm Outputs
		Available Options 5V TTL Alarm Output Inverted Alarm State
		Weight: 0.08 lbs





Part Number	Rated Voltage (Volts DC)	Voltage Range (Volts DC)	Input Power (Watts)	Rated Current (Amps)	Rated Speed (RPM)	Max Airflow (CFM)	Noise Level (dBA)	Max Static Pressure (\"H ₂ O)
OD5015-05HB02A	5	4.5 ~ 5.5	0.8	0.13	5475	14	32.1	0.20
OD5015-05MB02A	5	4.5 ~ 5.5	0.5	0.08	4180	11	25.2	0.16
OD5015-12HHB02A	12	9 ~ 13.8	2.4	0.20	6950	17	36.2	0.25
OD5015-12HB02A	12	9 ~ 13.8	1.1	0.09	5475	14	32.1	0.20
OD5015-12MB02A	12	9 ~ 13.8	0.8	0.06	4180	11	25.2	0.16
OD5015-24HB02A	24	16 ~ 26	1.5	0.06	5475	14	32.1	0.20
OD5015-24MB02A	24	16 ~ 26	1.0	0.04	4180	11	25.2	0.16



Alarm Max Pullup Voltage: Fan Vcc
 Alarm Max Sink Current: 5mA
 Alarm Active State: HIGH

Looking for pricing, stock, or lifecycle information?

Click below to explore more details on WIN SOURCE:

-  [View OD5015-12HB on WIN SOURCE](#)
-  [Orion Fans Information](#)

Optimize Your Supply Chain with WIN SOURCE Solutions

-  Global Sourcing Solution
-  Obsolete Management
-  Cost Control Management
-  Shortage Management
-  Alternative Solution
-  Excess Inventory Management