



THE DATASHEET OF CX2232NLT



PRODUCT DATASHEET

PART NUMBER: CX2232NL

- 1:1 RF Transformer
- 800-1900 MHz
- Suitable for MoCA Applications
- Surface Mount, FR4 Substrate
- RoHS Compliant

Electrical Specifications @ 25°C (Operating Temperature -40°C to +85°C)

INSERTION LOSS :

800-1900 MHz	900-1400 MHz				
3.0 dB Max	1.0 dB Max				

Note: Insertion Loss is referenced to Mid-Band Loss

RETURN LOSS :

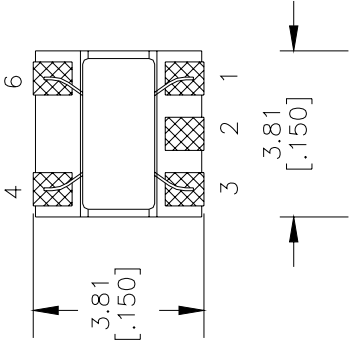
800 MHz	1200 MHz	1600 MHz	1900 MHz		
18.0 dB Min	15.0 dB Min	14.0 dB Min	13.0 dB Min		

Pulse

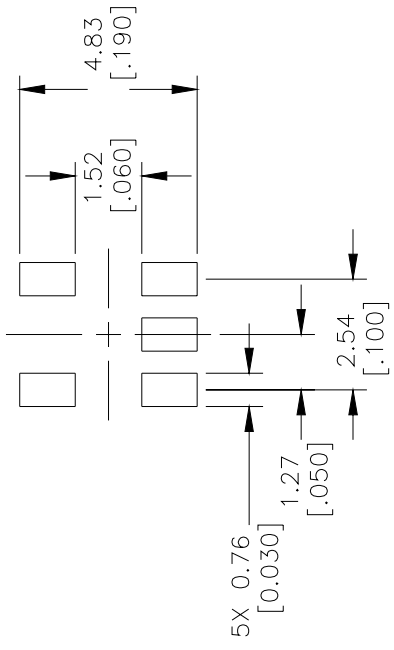
12220 World Trade Dr.
San Diego, CA 92128
U.S.A. www.pulseeng.com
TEL: 858 674 8100
FAX: 858 674 8262

Proprietary & Confidential

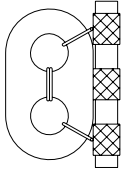
Mechanical Specifications



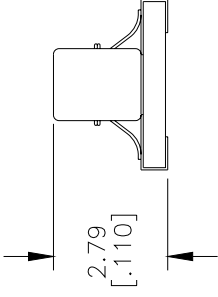
TOP VIEW



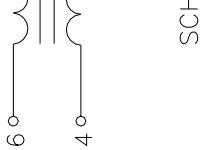
SUGGESTED LAND PATTERN
TOP VIEW



SIDE VIEW



FRONT VIEW



DIMENSIONS	MM
TOLERANCES	.XX +/- .XXX +

Pulse
12220 World Trade Dr.
San Diego, CA 92128
U.S.A. www.pulseeng.com
TEL: 858 674 8100
FAX: 858 674 8262

Proprietary & Confidential

Looking for pricing, stock, or lifecycle information?

Click below to explore more details on WIN SOURCE:

 [View CX2232NLT on WIN SOURCE](#)

 [Pulse Information](#)

Optimize Your Supply Chain with WIN SOURCE Solutions

-  Global Sourcing Solution
-  Obsolete Management
-  Cost Control Management
-  Shortage Management
-  Alternative Solution
-  Excess Inventory Management