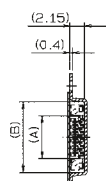
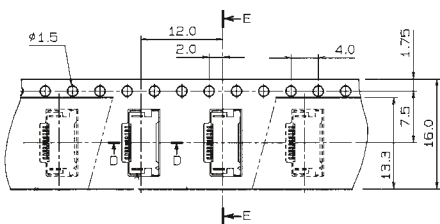


0.5mm Pitch
SERIES

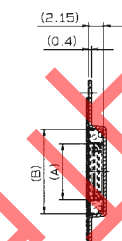
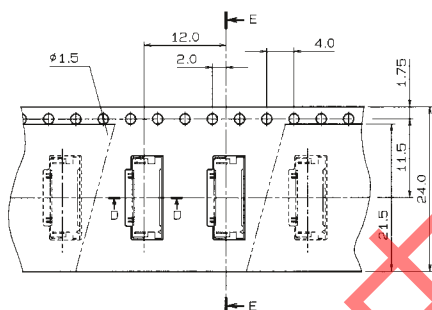
6223

エンボス梱包品
Tape and Reel Package



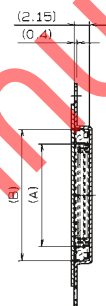
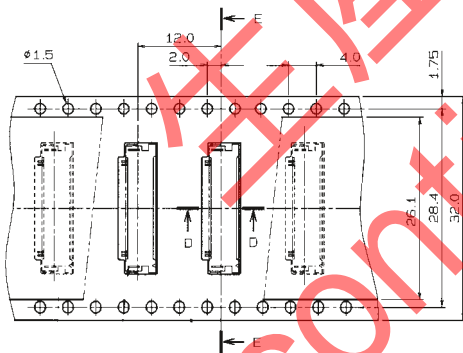
SECT. E-E

極数 NO. OF POS.	A	B
5	3.2	7.3
6	3.7	7.8
7	4.2	8.3
8	4.7	8.8
9	5.2	9.3
10	5.7	9.8
11	6.2	10.3



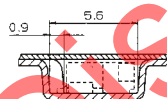
SECT. E-E

極数 NO. OF POS.	A	B
12	6.7	10.8
13	7.2	11.3
14	7.7	11.8
15	8.2	12.3
16	8.7	12.8
17	9.2	13.3
18	9.7	13.8
19	10.2	14.3
20	10.7	14.8
21	11.2	15.3
22	11.7	15.8
23	12.2	16.3
24	12.7	16.8
25	13.2	17.3
26	13.7	17.8
27	14.2	18.3



SECT. E-E

極数 NO. OF POS.	A	B
28	14.7	18.8
29	15.2	19.3
30	15.7	19.8



SECT. D-D

注文コード ORDERING CODE

08 6223 0XX 101 XXX+

RoHS 対応品

RoHS Compliant Product

800+ : スズ銅めっき Sn-Cu Plated

829+ : 金めっき Au Plated

極数 NUMBER OF POSITIONS

生産対応可能極数については、営業部にご確認願います。

Feel free to contact our sales department for available numbers of positions.

梱包数量 2000個/リール
PACKING QUANTITY : 2000/Reel

Looking for pricing, stock, or lifecycle information?

Click below to explore more details on WIN SOURCE:

-  [View 086223030101800+ on WIN SOURCE](#)
-  [AVX Corp/Kyocera Corp](#) Information

Optimize Your Supply Chain with WIN SOURCE Solutions

-  Global Sourcing Solution
-  Obsolete Management
-  Cost Control Management
-  Shortage Management
-  Alternative Solution
-  Excess Inventory Management