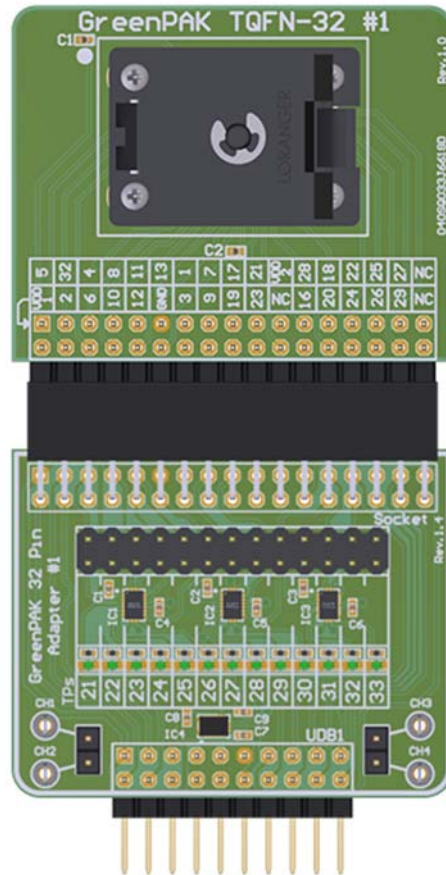




**THE DATASHEET OF
SLG46881V-SK2**





SLG46881V-SK2

Included are: SLG4SA32-40x40 socket adapter, 50 SLG46881V samples, SLG4AB2 (32-pin to 20-pin adapter).

For use with :

- GreenPAK Advanced Development Board

Looking for pricing, stock, or lifecycle information?

Click below to explore more details on WIN SOURCE:

-  [View SLG46881V-SK2 on WIN SOURCE](#)
-  [Renesas Electronics America](#) Information

Optimize Your Supply Chain with WIN SOURCE Solutions

-  Global Sourcing Solution
-  Obsolete Management
-  Cost Control Management
-  Shortage Management
-  Alternative Solution
-  Excess Inventory Management