



**THE DATASHEET OF
ASPI-1207S-470M-T**



SHIELDED POWER INDUCTOR

ASPI-1207S-xxx



12.0 x 12.0 x 8.0 mm



RoHS
Compliant

FEATURES:

- High saturation
- Magnetic shielding
- Very small footprint
- Flat-top for pick and place
- Low resistance to keep power loss minimum

APPLICATIONS:

- Palm-top and laptop
- LCD TV
- Power line DC to DC converters used in hard drive, notebook computer

ELECTRICAL SPECIFICATIONS:

PARAMETERS

ABRACON P/N	ASPI-1207S-xxx
Operating Temperature	-40°C to +125°C (including self-generated heat)
Storage Temperature	-40°C to +125°C

Part Number	L (μ H)	Tolerance %	Test Conditions Hz, V	R _{DC}	I _{DC}
				(Ω)Max	(A)Max
1R0	1.0	M	100k, 0.25V	0.007	10.00
1R2	1.2	N	100k, 0.25V	0.007	9.80
1R8	1.8	M	100k, 0.25V	0.011	8.50
2R2	2.2	M	100k, 0.25V	0.010	8.50
2R4	2.4	M	100k, 0.25V	0.012	8.00
2R7	2.7	M	100k, 0.25V	0.012	8.00
3R3	3.3	M	100k, 0.25V	0.013	7.80
3R5	3.5	M	100k, 0.25V	0.014	7.50
4R7	4.7	M	100k, 0.25V	0.016	6.80
5R6	5.6	M	100k, 0.25V	0.014	6.70
6R1	6.1	M	100k, 0.25V	0.018	6.60
6R8	6.8	M	100k, 0.25V	0.014	6.40
7R6	7.6	M	100k, 0.25V	0.020	5.90
8R2	8.2	M	100k, 0.25V	0.016	6.32
100	10	M	1k, 0.25V	0.022	5.40
120	12	M	1k, 0.25V	0.024	4.90
150	15	M	1k, 0.25V	0.027	4.50
180	18	M	1k, 0.25V	0.039	3.90
220	22	M	1k, 0.25V	0.043	3.60
270	27	M	1k, 0.25V	0.046	3.40
330	33	M	1k, 0.25V	0.065	3.00
390	39	M	1k, 0.25V	0.073	2.75
470	47	M	1k, 0.25V	0.100	2.50
560	56	M	1k, 0.25V	0.110	2.35
680	68	M	1k, 0.25V	0.140	2.10
820	82	M	1k, 0.25V	0.160	1.95
101	100	M	1k, 0.25V	0.220	1.70
121	120	M	1k, 0.25V	0.250	1.60
151	150	M	1k, 0.25V	0.280	1.42
181	180	M	1k, 0.25V	0.350	1.30
221	220	M	1k, 0.25V	0.390	1.16
271	270	M	1k, 0.25V	0.560	1.06
331	330	M	1k, 0.25V	0.640	0.95
391	390	M	1k, 0.25V	0.700	0.88
471	470	M	1k, 0.25V	0.980	0.79
561	560	M	1k, 0.25V	1.070	0.73
681	680	M	1k, 0.25V	1.460	0.67
821	820	M	1k, 0.25V	1.640	0.60
102	1000	M	1k, 0.25V	1.820	0.55
222	2200	M	100k, 0.25V	3.250	0.65

SHIELDED POWER INDUCTOR



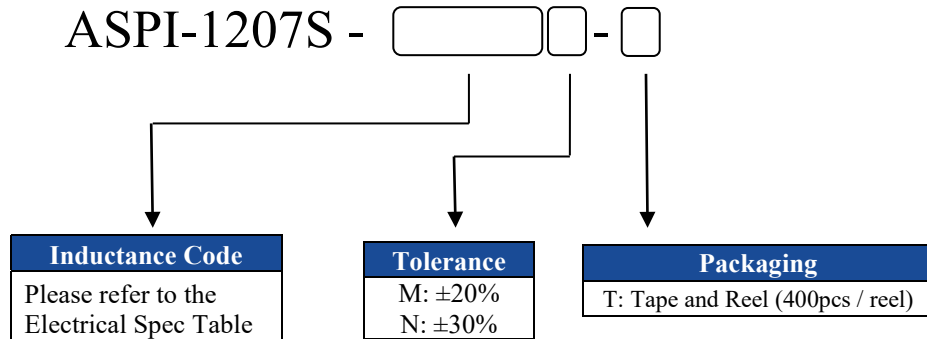
12.0 x 12.0 x 8.0 mm

ASPI-1207S-xxx

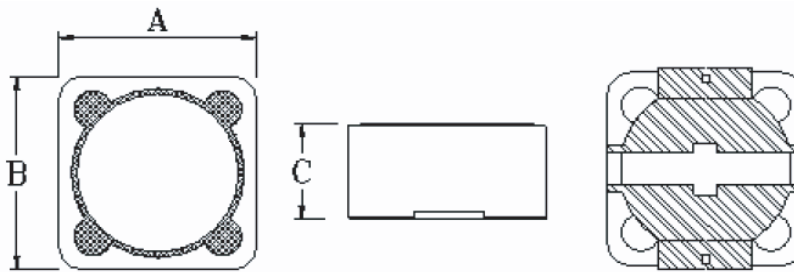


RoHS
Compliant

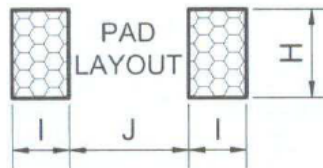
PART IDENTIFICATION:



MECHANICAL INFORMATION:



Part#	A	B	C
ASPI-1207S-xxx	0.472 ±0.012	0.472 ±0.012	0.315 max.
	(12.0 ±0.3)	(12.0 ±0.3)	(8.0 max.)



Part#	I	J	H
ASPI-1207S	0.110 ref.	0.276 ref.	0.213 ref.
	(2.8 ref.)	(7.0 ref.)	(5.4 ref.)

Dimension: mm

SHIELDED POWER INDUCTOR

ASPI-1207S-xxx

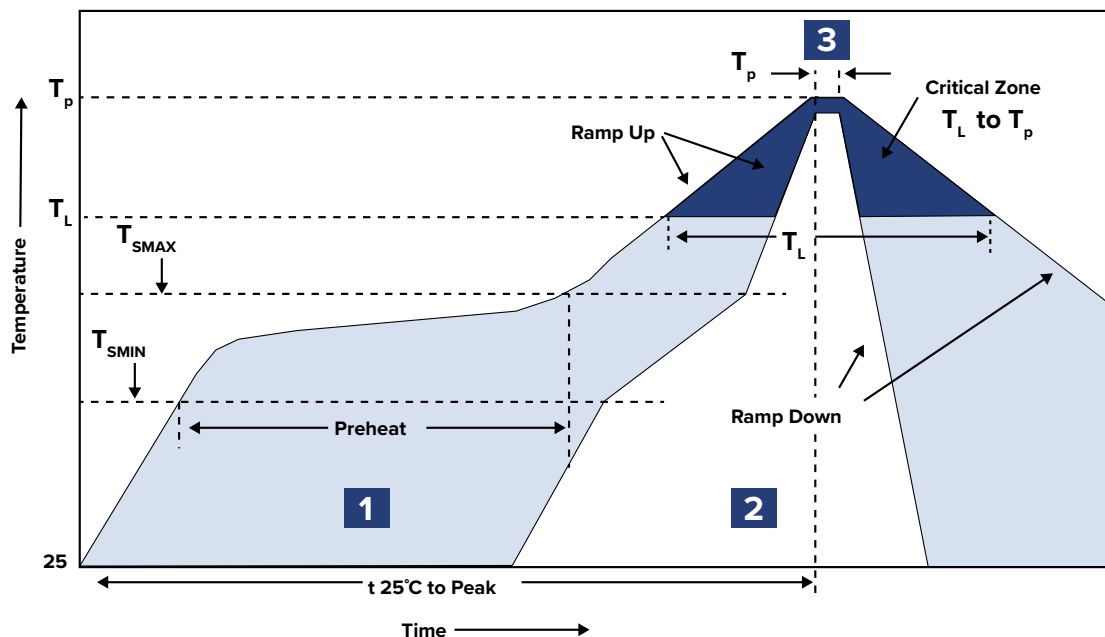


RoHS
Compliant



12.0 x 12.0 x 8.0 mm

REFLOW PROFILE:



Zone	Description	Temperature	Time
1	Preheat / Soak	$T_{SMIN} \sim T_{SMAX}$ 120°C ~ 180°C	50 ~ 150 sec.
2	Reflow	T_L 217°C	70 sec.
3	Peak heat	T_p 250°C ~ 260°C	10 ~ 30 sec. MAX

SHIELDED POWER INDUCTOR

ASPI-1207S-xxx



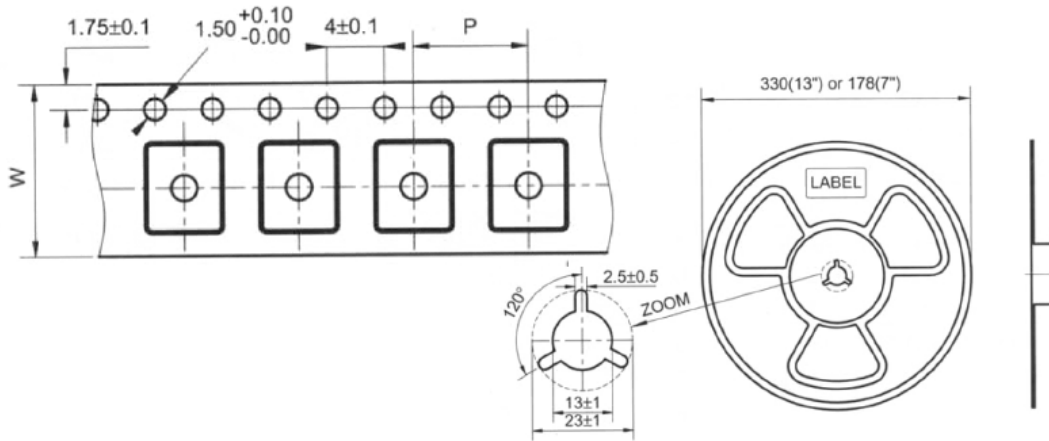
RoHS
Compliant



12.0 x 12.0 x 8.0 mm

PACKAGING:

T: 400pcs / reel



Series	W	P
ASPI-1207S	24	16

Dimension: mm

ATTENTION: Abracon LLC's products are COTS – Commercial-Off-The-Shelf products; suitable for Commercial, Industrial and, where designated, Automotive Applications. Abracon's products are not specifically designed for Military, Aviation, Aerospace, Life-dependent Medical applications or any application requiring high reliability where component failure could result in loss of life and/or property. For applications requiring high reliability and/or presenting an extreme operating environment, written consent and authorization from Abracon LLC is required. Please contact Abracon LLC for more information.

Looking for pricing, stock, or lifecycle information?

Click below to explore more details on WIN SOURCE:

 [View ASPI-1207S-470M-T on WIN SOURCE](#)

 [Abracon LLC Information](#)

Optimize Your Supply Chain with WIN SOURCE Solutions

-  Global Sourcing Solution
-  Obsolete Management
-  Cost Control Management
-  Shortage Management
-  Alternative Solution
-  Excess Inventory Management