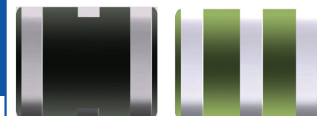




**THE DATASHEET OF
AWSCR-20.00CW-T**



2.5X2.0mm INDUSTRIAL GRADE BUILT-IN CAPACITANCE CERAMIC RESONATOR



2.5 x 2.0 x 1.2mm

AWSCR-CW

RoHS/RoHS II compliant
Pb in ceramic, exemption (7c-I)

Moisture Sensitivity Level (MSL) – This product is not Moisture Sensitive - MSL = 1

FEATURES:

- Low resonant impedance
- Built-in load capacitors
- IR reflow capable

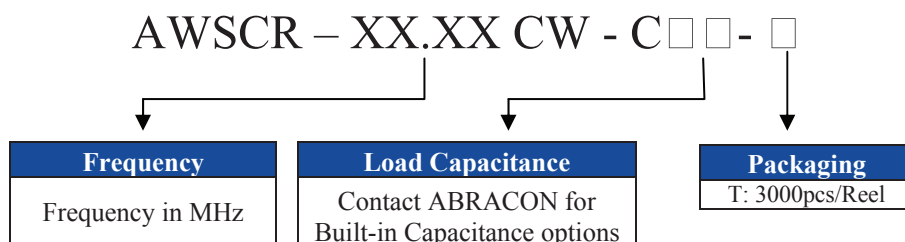
APPLICATIONS:

- Remote controls, Microprocessor clocks, Mobile phones, DVD & CD-Roms, Electric appliances
- Consumer electronics

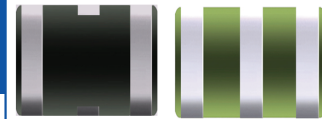
STANDARD SPECIFICATIONS:

Parameters	Minimum	Typical	Maximum	Units	Notes
Frequency Range	20.00		60.00	MHz	
Resonant Impedance (Ro)			60	Ω	20.00 MHz – 25.99 MHz
			50		26.00 MHz – 35.00 MHz
			50		35.01 MHz – 60.00 MHz
Built-in Load Capacitance (C1=C2)	10 – 20%	10	10 + 20%	pF	20.00 MHz – 25.99 MHz
	5 – 20%	5	5 + 20%		26.00 MHz – 35.00 MHz
	5 – 20%	5	5 + 20%		35.01 MHz – 60.00 MHz
Frequency Tolerance @25 °C	-0.5		0.5	%	
Frequency Stability @ -25°C to +85°C	-0.2		0.2	%	
Withstanding Voltage		50		V	DC , 1 min
Rating Voltage	(1) D.C. Voltage		6	V	
	(2) A.C. Voltage		15	Vp-p.	
Insulation Resistance	100			MΩ	10V, 1min
Operation Temperature	-25		85	°C	
Storage Temperature	-55		85	°C	
Aging Rate (Fosc) (10 years)	-0.2		0.2	%	From Initial Value

OPTIONS AND PART IDENTIFICATION:



2.5X2.0mm INDUSTRIAL GRADE BUILT-IN CAPACITANCE CERAMIC RESONATOR



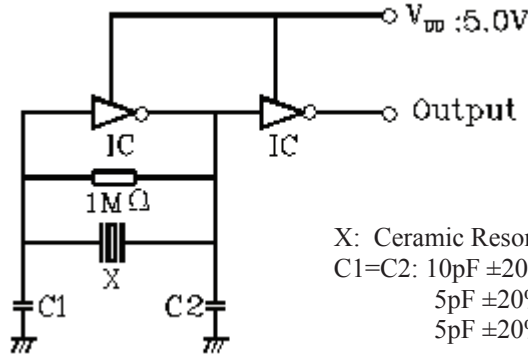
2.5 x 2.0 x 1.2mm

AWSCR-CW

RoHS/RoHS II compliant
Pb in ceramic, exemption (7c-I)

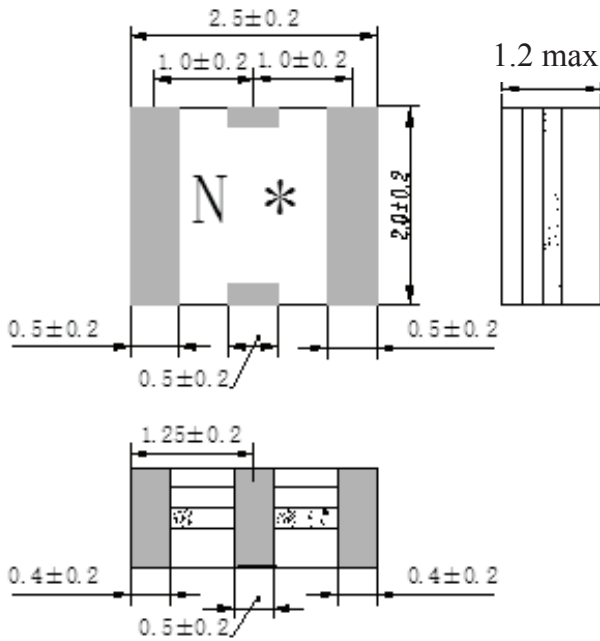
TEST CIRCUIT:

Parts shall be measured under a condition (Temp.: 20±15°C, Humidity: 65±20% R.H.) unless the standard condition (Temp: 25±3°C, Humidity: 65±10% R.H.) is regulated to measure



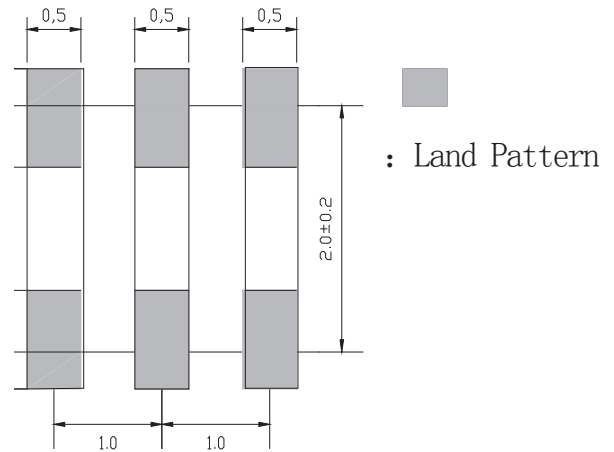
X: Ceramic Resonator
 C1=C2: 10pF ±20% (20.00MHz~25.99MHz)
 5pF ±20% (26.00MHz~35.00MHz)
 5pF ±20% (35.01MHz~60.00MHz)

OUTLINE DIMENSION:



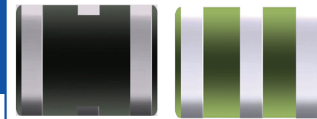
N: Frequency Code
 *:EIAJ Monthly Code

Recommended Land Pattern



Dimension: mm

2.5X2.0mm INDUSTRIAL GRADE BUILT-IN CAPACITANCE CERAMIC RESONATOR

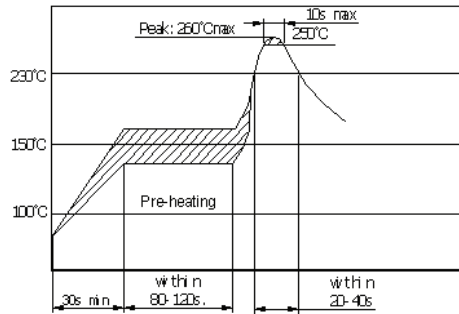


2.5 x 2.0 x 1.2mm

AWSCR-CW

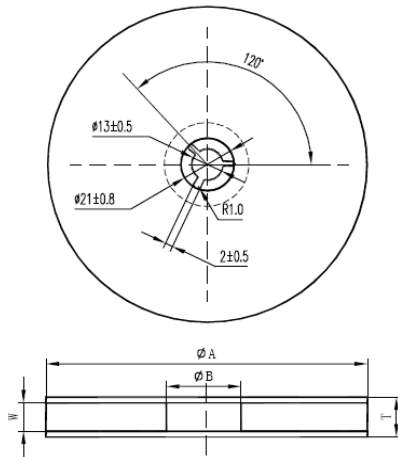
RoHS/RoHS II compliant
Pb in ceramic, exemption (7c-I)

SUGGESTED REFLOW PROFILE

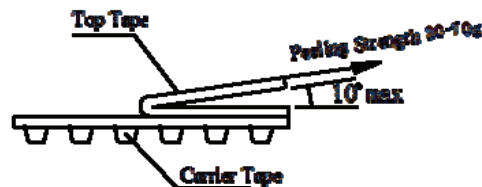
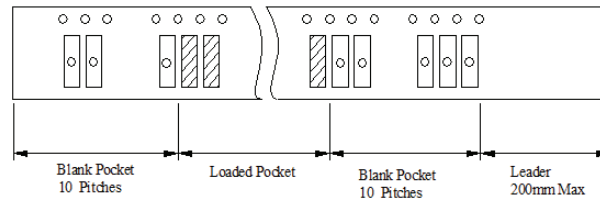


TAPE & REEL:

T: tape and reel (3,000pcs/reel)



ΦA	ΦB	W	T	Carrier tape size
180±3	60 min.	8.4 min	12.4 max	8



Note: upon opening the original packaging, it is recommended that the product be used within 1 year. If the product will not be used within 1 year, it is recommended that the product be re-sealed in airtight packaging according to MSL 1 requirements to maintain solderability.

Dimension: mm

CAUTION:

- (1) Do not apply excess mechanical stress to the component body or terminations. Do not attempt to re-form or bend the components as this will cause damage to the component.
- (2) This component is not hermetically sealed. Do not clean or wash the component.
- (3) Reflow Soldering: Do not use strong acidity flux, such as flux with chlorine content of greater than 0.2wt% during Reflow Soldering.
- (4) Do not expose the component to open flame.
- (5) This specification applies to the functionality of the component as a single unit.
- (6) Storage Conditions: If the product is to be stored for a period greater than Six Months after the Delivery Date, it is recommended that customers confirm the solderability and characteristics for the product prior to use.
- (7) This product is not recommended for use in the following applications: Automotive, Medical, Military, Safety, or any other high-reliability, life dependant applications. Contact Abracon Corporation prior to using this product when in doubt.

ATTENTION: Abracon Corporation's products are COTS – Commercial-Off-The-Shelf products; suitable for Commercial, Industrial and, where designated, Automotive Applications. Abracon's products are not specifically designed for Military, Aviation, Aerospace, Life-dependant Medical applications or any application requiring high reliability where component failure could result in loss of life and/or property. For applications requiring high reliability and/or presenting an extreme operating environment, written consent and authorization from Abracon Corporation is required. Please contact Abracon Corporation for more information.

ABRACON IS
ISO9001:2008
CERTIFIED



Visit www.abracon.com for Terms & Conditions of Sale
30332 Esperanza, Rancho Santa Margarita, California 92688
tel 949-546-8000 | fax 949-546-8001 | www.abracon.com

Revised: 08.08.14

Looking for pricing, stock, or lifecycle information?

Click below to explore more details on WIN SOURCE:

 [View AWSCR-20.00CW-T on WIN SOURCE](#)

 [Abracon LLC Information](#)

Optimize Your Supply Chain with WIN SOURCE Solutions

-  Global Sourcing Solution
-  Obsolete Management
-  Cost Control Management
-  Shortage Management
-  Alternative Solution
-  Excess Inventory Management