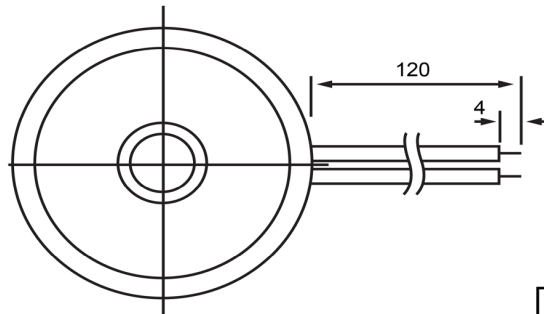




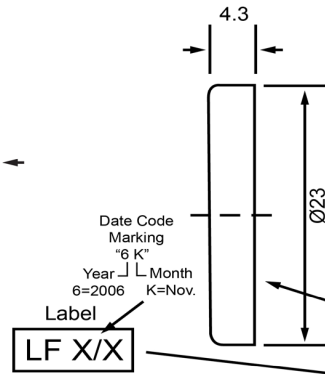
# THE DATASHEET OF TP235012-1





TOP VIEW



SIDE VIEW



Specifications			Notes	Revision History						
Description	Value	Unit		Version	Description		Date	Approved		
Technology	Piezo		1) All dimensions are in mm unless otherwise noted 2) All parts meet RoHS	1	Released from Engineering		10/21/2013	J.S		
Resonant Frequency	5,000	(Hz)								
Rated Voltage	12	(V)								
SPL @ 10cm	79	(dBA)								
Capacitance	15,000	(pF)								
Mount Type	Flush									
Voltage Range	1 ~ 40	(V)								
Max Rated Current	7	(mA)								
Housing Material	ABS									
Operating Temperature	-20 ~ +60	°C								
Storage Temperature	-20 ~ +60	°C								
Weight	2	(g)								
 <b>DB UNLIMITED</b>			 <b>Piezo Transducer</b>			<b>TP235012-1</b>				

Additional considerations can be found at [www.dbunlimitedco.com/technical-articles](http://www.dbunlimitedco.com/technical-articles).

## Looking for pricing, stock, or lifecycle information?

Click below to explore more details on WIN SOURCE:

 [View TP235012-1 on WIN SOURCE](#)

 [DB Unlimited](#). Information

## Optimize Your Supply Chain with WIN SOURCE Solutions

-  Global Sourcing Solution
-  Obsolete Management
-  Cost Control Management
-  Shortage Management
-  Alternative Solution
-  Excess Inventory Management