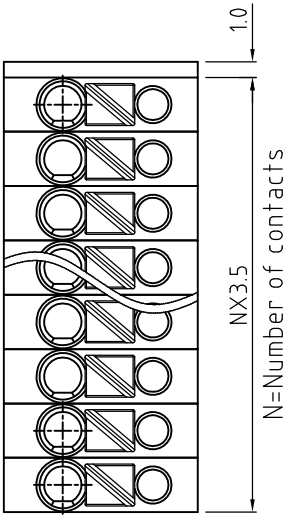




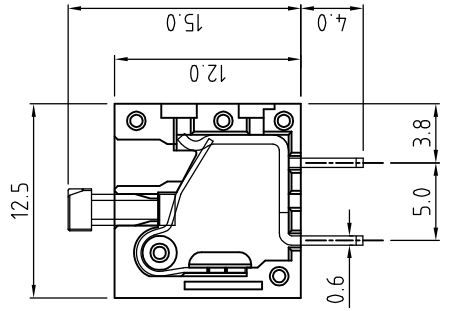
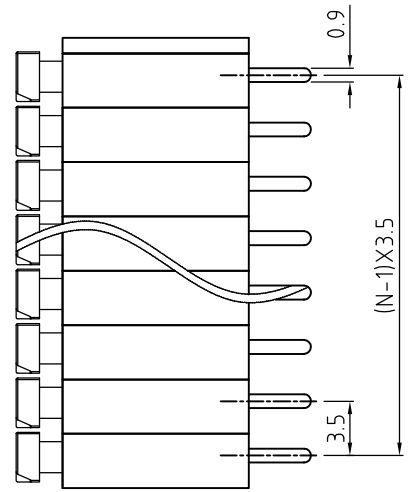
**THE DATASHEET OF  
OSTHX202081**



Transfer or duplication of this document as well as the utilisation or communication of its content are not permitted unless express consent is granted. Violations give rise to claims for damages. All rights reserved in case of patent, utility model or design patent registrations.



N=Number of contacts



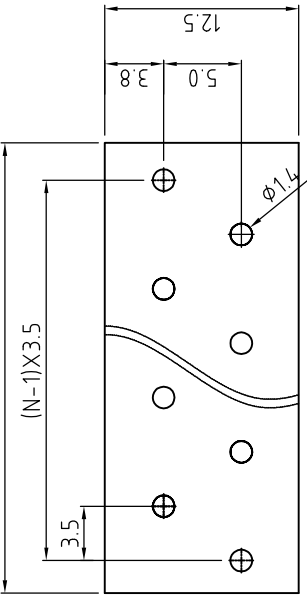
Technical Data:  
 Electrical  
 Pitch: 3.5MM  
 Voltage rating: 300V  
 Current rating: 10 Amps  
 Contact resistance:  $20m\Omega$   
 Withstanding Voltage: 250V  
 Wire Range: 14-22AWG  
 Wire strip length: 7-8MM  
 Mechanical:

Operating temperature: -  
 Soldering temperature:  
 Temperature:  $250^{\circ}C \pm 1$   
 5 seconds max  
 Safety approval:   
 RoHS Compliance

Part No.:

**OSTHXXX2081**

No. of Poles  
 02 2 Poles  
 03 3 Poles  
 ...  
 24 24 Poles



P.C.B. LAYOUT

Nonstandard colors  
 Minis could apply

5	Long Terminal	Copper Alloy
5	Short Terminal	Copper Alloy
4	Spring clamp	Stainless steel
3	Lever	PA66 UL94V-0
2	Cover	PA66 UL94V-0
1	Body	PA66 UL94V-0
ITEM	NAME OF PART	MATERIAL
DWG.	DATE	
CHK.	DATE	
APP.	DATE	





ON-SHORE TECHNOLOGY, INC.

REV	Δ	SIGN	DESCRIPTION	CHK.	DATE

## Looking for pricing, stock, or lifecycle information?

Click below to explore more details on WIN SOURCE:

-  [View OSTHX202081 on WIN SOURCE](#)
-  [On Shore Technology Inc. Information](#)

## Optimize Your Supply Chain with WIN SOURCE Solutions

-  Global Sourcing Solution
-  Obsolete Management
-  Cost Control Management
-  Shortage Management
-  Alternative Solution
-  Excess Inventory Management