

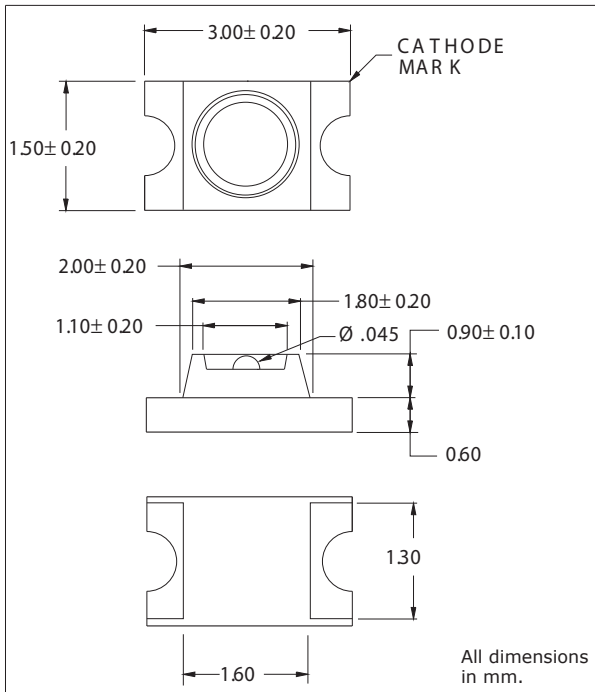


**THE DATASHEET OF  
CMD11-21VGC/TR8**



## CMD11-21 SMT LEDs 1206 Package Size

### Description and Features



#### Surface Mount Technology

- Tape and reel packaged for high-speed autoinsertion.
- Convection and vapor-phase reflow compatible.
- Compact form enables high density placement.
- Packaged 2000 pieces per reel.
- RoHS Compliant

#### Leading Edge LED Optoelectronic Performance

- Consistent high brightness.
- Integral lensing for narrow angle light dispersion.

#### Exceptional Reliability

- Stringent process controls assure quality.
  - Extensive qualification testing to meet strictest requirements.
  - Designed to permit easy post-reflow solder joint inspection.
- Refer to "Solder Pad Geometry 3.pdf"

## Electro-Optical Characteristics and Ratings

| PART NUMBER   | CMD11-21VGC/TR8 | CMD11-21VYC/TR8 | CMD11-21VRC/TR8 | CMD11-21SRC/TR8 |
|---|-----------------|-----------------|-----------------|-----------------|
| Output Color  | Green           | Yellow          | Red             | Red             |
| Package Type  | Single          | Single          | Single          | Single          |
| Package Color                                       | Clear           | Clear           | Clear           | Clear           |
| Test Current (mA)                                   | 20              | 20              | 20              | 20              |
| Forward Voltage Typ. (V)                            | 2.1             | 2.0             | 2.0             | 1.7             |
| Forward Voltage Max. (V)                            | 2.8             | 2.8             | 2.8             | 2.4             |
| Luminous Intensity Min. (mcd)                       | 3.0             | 3.0             | 3.0             | 30.0            |
| Luminous Intensity Typ. (mcd)                       | 75              | 60              | 60              | 51.0            |
| Luminous Intensity Max. (mcd)                       | -               | -               | -               | -               |
| Peak Wavelength (nm)                                | 570             | 585             | 640             | 660             |
| Viewing Angle 20 1/2 (degrees)                      | 20              | 20              | 20              | 20              |
| Power Dissipation (mW)                              | 105             | 70              | 100             | 100             |
| Operating Temperature (°C)                          | -30 to +90      | -30 to +90      | -30 to +90      | -30 to +90      |
| Storage Temperature (°C)                            | -30 to +90      | -30 to +90      | -30 to +90      | -30 to +90      |
| Peak Forward Current Max. (1µs@10% duty cycle) (mA) | 150             | 150             | 150             | 150             |
| Reverse Voltage (IR=100µA) (V) 5.05.05.05.0         | 5.0             | 5.0             | 5.0             | 5.0             |
| Lead Solder Time @ 260°C                            | 5               | 5               | 5               | 5               |

## Looking for pricing, stock, or lifecycle information?

Click below to explore more details on WIN SOURCE:

- ⊖ [View CMD11-21VGC/TR8 on WIN SOURCE](#)
- ⊖ [Visual Communications Company - VCC Information](#)

## Optimize Your Supply Chain with WIN SOURCE Solutions

- ✓ Global Sourcing Solution
- ✓ Obsolete Management
- ✓ Cost Control Management
- ✓ Shortage Management
- ✓ Alternative Solution
- ✓ Excess Inventory Management