



**THE DATASHEET OF
TFM-125-32-STL-D-LC**



XFM MATED VIEWS

DESIGNED & DIMENSIONED
IN INCHES[MILLIMETERS]

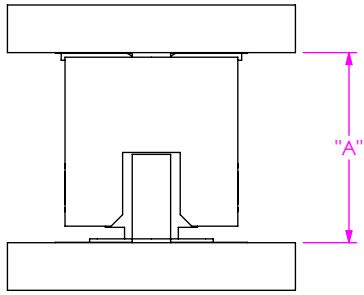


FIG 1
SFM-D-SM MATED WITH TFM-D-SM

		TABLE 1			
		SFM-D LEAD STYLE		WIPE	
		-02 / -L2 / -T2		FULLY MATED	MIN @ "A" MAX
TFM-D LEAD STYLE		"A" FULLY MATED	"A" MAX	FULLY MATED	MIN @ "A" MAX
-02		.248 [6.30]	.255 [6.48]	.022 [0.56]	.015 [0.38]
-12		.318 [8.08]	.333 [8.46]	.030 [0.76]	.015 [0.38]
-22		.388 [9.86]	.403 [10.24]	.030 [0.76]	.015 [0.38]
-32		.463 [11.76]	.478 [12.14]	.030 [0.76]	.015 [0.38]

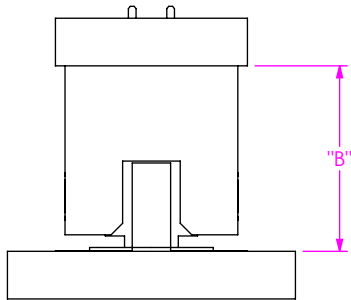


FIG 2
SFM-D-SM MATED WITH TFM-D-TH

		TABLE 2			
		SFM-D LEAD STYLE		WIPE	
		-02 / -L2 / -T2		FULLY MATED	MIN @ "B" MAX
TFM-D LEAD STYLE		"B" FULLY MATED	"B" MAX	FULLY MATED	MIN @ "B" MAX
-01		.242 [6.15]	.249 [6.32]	.022 [0.56]	.015 [0.38]
-03		.242 [6.15]	.257 [6.53]	.030 [0.76]	.015 [0.38]
-11		.312 [7.92]	.327 [8.31]	.030 [0.76]	.015 [0.38]
-13		.312 [7.92]	.327 [8.31]	.030 [0.76]	.015 [0.38]
-21		.382 [9.70]	.397 [10.08]	.030 [0.76]	.015 [0.38]
-23		.382 [9.70]	.397 [10.08]	.030 [0.76]	.015 [0.38]
-31		.457 [11.61]	.472 [11.99]	.030 [0.76]	.015 [0.38]

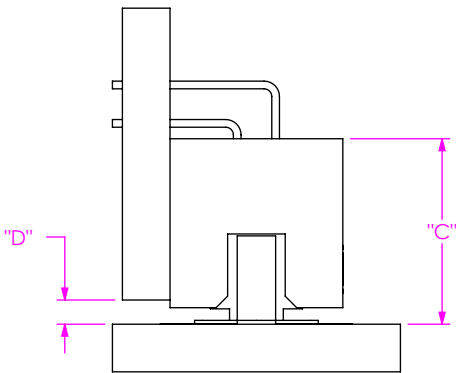


FIG 3
SFM-D-SM MATED WITH TFM-D-RA

		TABLE 3				WIPE	
		SFM-D LEAD STYLE					
		-02 / -L2 / -T2					
TFM-D LEAD STYLE		"C" FULLY MATED	"C" MAX	"D" FULLY MATED	"D" MAX	FULLY MATED	MIN @ "C" MAX
-01-RA		.242 [6.15]	.260 [6.60]	.032 [0.81]	.050 [1.27]	.033 [0.84]	.015 [0.38]

NOTES:

1. ALL DIMENSIONS BASED ON NOMINAL VALUES FOR SAMTEC RECOMMENDED PCB LAYOUTS.
2. ALTHOUGH MAX DIMENSION ARE LISTED SAMTEC RECOMMENDS FULLY MATING COMPONENTS.

c:\enterprisevault\DWG\MISC\MKTG\XFM MATED DOCUMENT-MKT.SLDDRW

PROPRIETARY NOTE
THIS DOCUMENT CONTAINS CONFIDENTIAL AND PROPRIETARY INFORMATION AND ALL DESIGN, MANUFACTURING, REPRODUCTION, USE, PATENT RIGHTS AND SALES RIGHTS ARE EXPRESSLY RESERVED BY SAMTEC, INC. THIS DOCUMENT SHALL NOT BE DISCLOSED, IN WHOLE OR PART, TO ANY UNAUTHORIZED PERSON OR ENTITY NOR REPRODUCED, TRANSFERRED OR INCORPORATED IN ANY OTHER PROJECT IN ANY MANNER WITHOUT THE EXPRESS WRITTEN CONSENT OF SAMTEC, INC.



520 PARK EAST BLVD., NEW ALBANY, IN 47150
PHONE: 812-944-6733 FAX: 812-948-5047
e-Mail: info@SAMTEC.com code: 55322

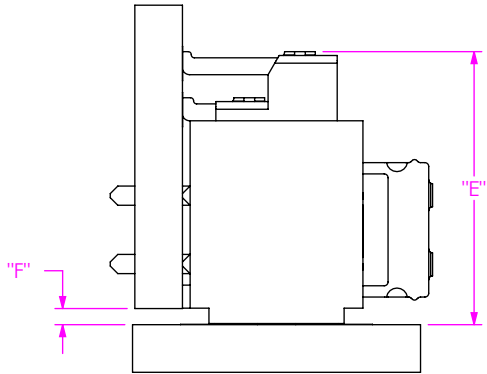


FIG 4
SFM-D-SM MATED WITH TFM-DH

		TABLE 4 SFM-D LEAD STYLE -02 / -L2 / -T2				WIPE	
		"E" FULLY MATED	"E" MAX	"F" FULLY MATED	"F" MAX	FULLY MATED	MIN @ "E" MAX
TFM-D LEAD STYLE	-02-DH	.356 [9.04]	.382 [9.70]	.021 [0.53]	.047 [1.19]	.041 [1.04]	.015 [0.38]

WHEN MATING TFM-DH WITH SFM-D, -A OPTION MUST BE SELECTED

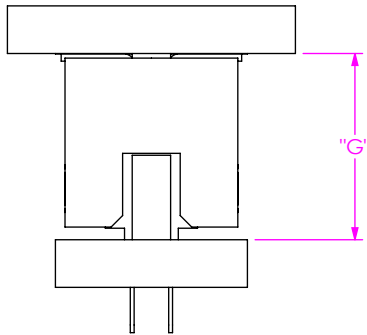


FIG 5
SFM-D-TH MATED WITH TFM-D-SM

		TABLE 5 SFM-D LEAD STYLE -01 / -03 / -L1 / -L3 / -T1		WIPE	
		"G" FULLY MATED	"G" MAX	FULLY MATED	MIN @ "G" MAX
TFM-D LEAD STYLE	-02	.243 [6.17]	.250 [6.35]	.022 [0.56]	.015 [0.38]
	-12	.313 [7.95]	.328 [8.33]	.030 [0.76]	.015 [0.38]
	-22	.383 [9.73]	.398 [10.11]	.030 [0.76]	.015 [0.38]
	-32	.458 [11.63]	.473 [12.01]	.030 [0.76]	.015 [0.38]

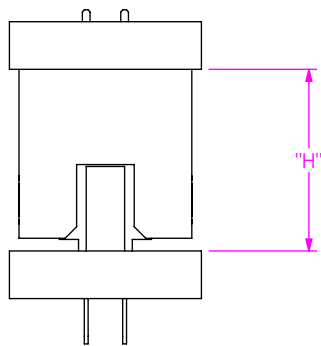


FIG 6
SFM-D-TH MATED WITH TFM-D-TH

		TABLE 6 SFM-D LEAD STYLE -01 / -03 / -L1 / -L3 / -T1		WIPE	
		"H" FULLY MATED	"H" MAX	FULLY MATED	MIN @ "H" MAX
TFM-D LEAD STYLE	-01	.237 [6.02]	.244 [6.20]	.022 [0.56]	.015 [0.38]
	-03	.237 [6.02]	.252 [6.40]	.030 [0.76]	.015 [0.38]
	-11	.307 [7.80]	.322 [8.18]	.030 [0.76]	.015 [0.38]
	-13	.307 [7.80]	.322 [8.18]	.030 [0.76]	.015 [0.38]
	-21	.377 [9.58]	.392 [9.96]	.030 [0.76]	.015 [0.38]
	-23	.377 [9.58]	.392 [9.96]	.030 [0.76]	.015 [0.38]
-31	.452 [11.48]	.467 [11.86]	.030 [0.76]	.015 [0.38]	

PROPRIETARY NOTE
THIS DOCUMENT CONTAINS CONFIDENTIAL AND PROPRIETARY INFORMATION AND ALL DESIGN, MANUFACTURING, REPRODUCTION, USE, PATENT RIGHTS AND SALES RIGHTS ARE EXPRESSLY RESERVED BY SAMTEC, INC. THIS DOCUMENT SHALL NOT BE DISCLOSED, IN WHOLE OR PART, TO ANY UNAUTHORIZED PERSON OR ENTITY NOR REPRODUCED, TRANSFERRED OR INCORPORATED IN ANY OTHER PROJECT IN ANY MANNER WITHOUT THE EXPRESS WRITTEN CONSENT OF SAMTEC, INC.



520 PARK EAST BLVD, NEW ALBANY, IN 47150
PHONE: 812-944-6733 FAX: 812-948-5047
e-Mail: info@SAMTEC.com code: 55322

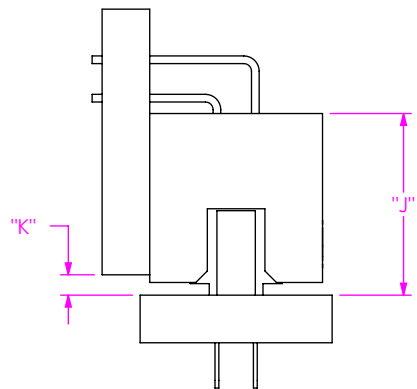


FIG 7
SFM-D-TH MATED WITH TFM-D-RA

		TABLE 7				WIPE	
		SFM-D LEAD STYLE					
		-01 / -03 / -L1 / -L3 / -T1					
		"J" FULLY MATED	"J" MAX	"K" FULLY MATED	"K" MAX	FULLY MATED	MIN @ "J" MAX
TFM-D LEAD STYLE	-01-RA	.237 [6.02]	.255 [6.48]	.027 [0.67]	.045 [1.13]	.033 [0.84]	.015 [0.38]

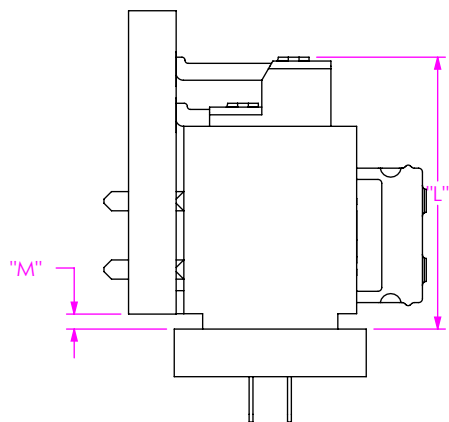


FIG 8
SFM-D-TH MATED WITH TFM-DH

		TABLE 8				WIPE	
		SFM-D LEAD STYLE					
		-01 / -03 / -L1 / -L3 / -T1					
		"L" FULLY MATED	"L" MAX	"M" FULLY MATED	"M" MAX	FULLY MATED	MIN @ "L" MAX
TFM-D LEAD STYLE	-02-DH	.354 [8.99]	.377 [9.58]	.020 [0.51]	.043 [1.09]	.038 [0.97]	.015 [0.38]

WHEN MATING TFM-DH WITH SFM-D, -A OPTION MUST BE SELECTED

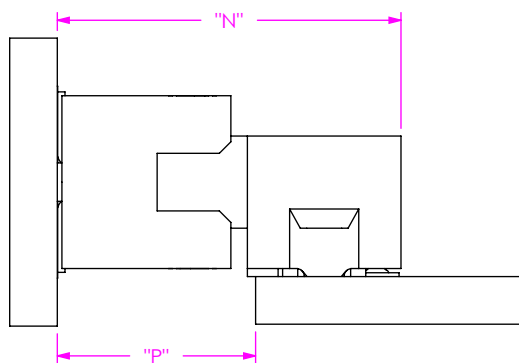


FIG 9
SFM-DH MATED WITH TFM-D-SM

		TABLE 9				WIPE	
		SFM-D LEAD STYLE					
		-02-DH					
		"N" FULLY MATED	"N" MAX	"P" FULLY MATED	"P" MAX	FULLY MATED	MIN @ "N" MAX
TFM-D LEAD STYLE	-02	.448 [11.38]	.455 [11.56]	.258 [6.55]	.265 [6.73]	.022 [0.56]	.015 [0.38]
	-12	.518 [13.16]	.533 [13.54]	.328 [8.33]	.343 [8.71]	.030 [0.76]	.015 [0.38]
	-22	.588 [14.94]	.603 [15.32]	.398 [10.11]	.413 [10.49]	.030 [0.76]	.015 [0.38]
	-32	.663 [16.84]	.678 [17.22]	.473 [12.01]	.488 [12.40]	.030 [0.76]	.015 [0.38]

PROPRIETARY NOTE
THIS DOCUMENT CONTAINS CONFIDENTIAL AND PROPRIETARY INFORMATION AND ALL DESIGN, MANUFACTURING, REPRODUCTION, USE, PATENT RIGHTS AND SALES RIGHTS ARE EXPRESSLY RESERVED BY SAMTEC, INC. THIS DOCUMENT SHALL NOT BE DISCLOSED, IN WHOLE OR PART, TO ANY UNAUTHORIZED PERSON OR ENTITY NOR REPRODUCED, TRANSFERRED OR INCORPORATED IN ANY OTHER PROJECT IN ANY MANNER WITHOUT THE EXPRESS WRITTEN CONSENT OF SAMTEC, INC.



520 PARK EAST BLVD, NEW ALBANY, IN 47150
PHONE: 812-944-6733 FAX: 812-948-5047
e-Mail: info@SAMTEC.com code: 55322

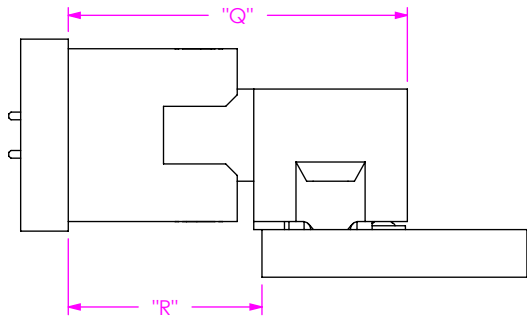


FIG 10
SFM-DH MATED WITH TFM-D-TH

TABLE 10							
		SFM-D LEAD STYLE				WIPE	
		-02-DH					
		"Q" FULLY MATED	"Q" MAX	"R" FULLY MATED	"R" MAX	FULLY MATED	MIN @ "Q" MAX
TFM-D LEAD STYLE	-01	.442 [11.23]	.449 [11.40]	.252 [6.40]	.259 [6.58]	.022 [0.56]	.015 [0.38]
	-03	.442 [11.23]	.457 [11.61]	.252 [6.40]	.267 [6.78]	.030 [0.76]	.015 [0.38]
	-11	.512 [13.00]	.527 [13.39]	.322 [8.18]	.337 [8.56]	.030 [0.76]	.015 [0.38]
	-13	.512 [13.00]	.527 [13.39]	.322 [8.18]	.337 [8.56]	.030 [0.76]	.015 [0.38]
	-21	.582 [14.78]	.597 [15.16]	.392 [9.96]	.407 [10.34]	.030 [0.76]	.015 [0.38]
	-23	.582 [14.78]	.597 [15.16]	.392 [9.96]	.407 [10.34]	.030 [0.76]	.015 [0.38]
	-31	.657 [16.69]	.672 [17.07]	.467 [11.86]	.482 [12.24]	.030 [0.76]	.015 [0.38]

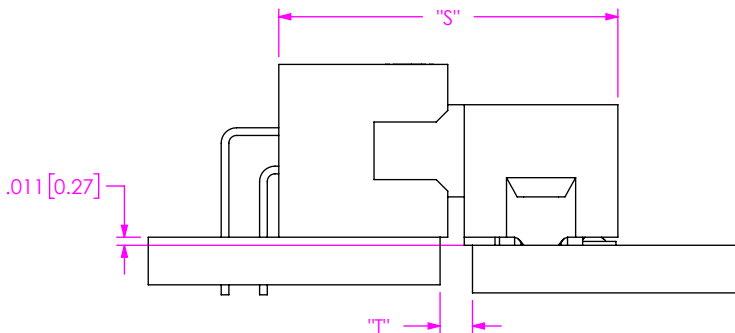


FIG 11
SFM-DH MATED WITH TFM-D-RA

TABLE 11							
		SFM-D LEAD STYLE				WIPE	
		-02-DH					
		"S" FULLY MATED	"S" MAX	"T" FULLY MATED	"T" MAX	FULLY MATED	MIN @ "S" MAX
TFM-D LEAD STYLE	-01-RA	.442 [11.23]	.460 [11.68]	.042 [1.07]	.060 [1.52]	.033 [0.84]	.015 [0.38]

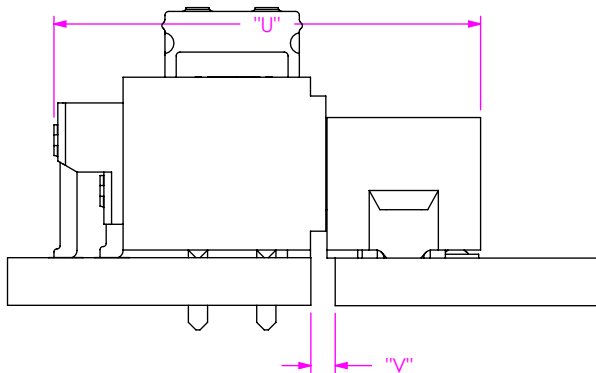


FIG 12
SFM-DH MATED WITH TFM-DH

TABLE 12							
		SFM-D LEAD STYLE				WIPE	
		-02-DH					
		"U" FULLY MATED	"U" MAX	"V" FULLY MATED	"V" MAX	FULLY MATED	MIN @ "U" MAX
TFM-D LEAD STYLE	-02-DH	.556 [14.12]	.582 [14.78]	.032 [0.81]	.058 [1.47]	.041 [1.04]	.015 [0.38]

PROPRIETARY NOTE
THIS DOCUMENT CONTAINS CONFIDENTIAL AND PROPRIETARY INFORMATION AND ALL DESIGN, MANUFACTURING, REPRODUCTION, USE, PATENT RIGHTS AND SALES RIGHTS ARE EXPRESSLY RESERVED BY SAMTEC, INC. THIS DOCUMENT SHALL NOT BE DISCLOSED, IN WHOLE OR PART, TO ANY UNAUTHORIZED PERSON OR ENTITY NOR REPRODUCED, TRANSFERRED OR INCORPORATED IN ANY OTHER PROJECT IN ANY MANNER WITHOUT THE EXPRESS WRITTEN CONSENT OF SAMTEC, INC.



520 PARK EAST BLVD, NEW ALBANY, IN 47150
PHONE: 812-944-6733 FAX: 812-948-5047
e-Mail: info@SAMTEC.com code: 55322

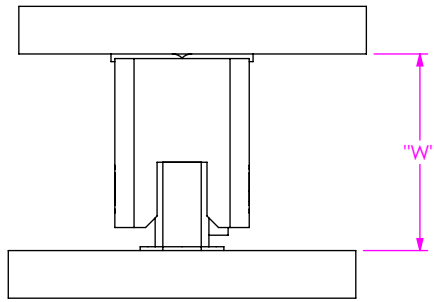


FIG 13
SFM-S-SM MATED WITH TFM-S-SM

		TABLE 13			
		SFM-S LEAD STYLE		WIPE	
		-02 / -L2 / -T2			
		"W" FULLY MATED	"W" MAX	FULLY MATED	MIN @ "W" MAX
TFM-S LEAD STYLE	-02	.256 [6.50]	.256 [6.50]	.015 [0.38]	.015 [0.38]

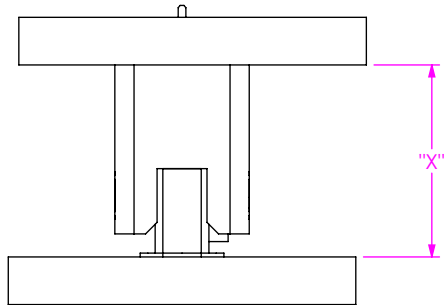


FIG 14
SFM-S-SM MATED WITH TFM-S-TH

		TABLE 14			
		SFM-S LEAD STYLE		WIPE	
		-02 / -L2 / -T2			
		"X" FULLY MATED	"X" MAX	FULLY MATED	MIN @ "X" MAX
TFM-S LEAD STYLE	-01	.250 [6.35]	.250 [6.35]	.015 [0.38]	.015 [0.38]
TFM-S LEAD STYLE	-03	.250 [6.35]	.257 [6.53]	.022 [0.56]	.015 [0.38]

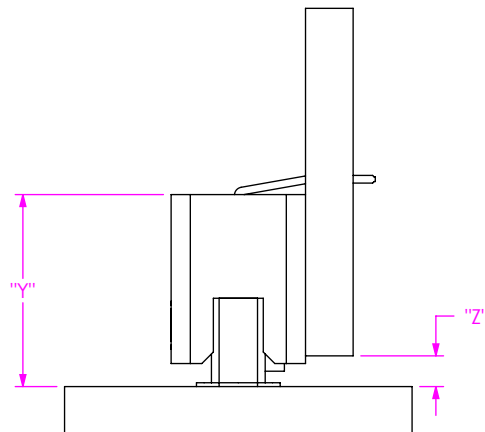


FIG 15
SFM-S-SM MATED WITH TFM-S-RA

		TABLE 15					
		SFM-S LEAD STYLE		WIPE			
		-02 / -L2 / -T2					
		"Y" FULLY MATED	"Y" MAX	"Z" FULLY MATED	"Z" MAX	FULLY MATED	MIN @ "Y" MAX
TFM-S LEAD STYLE	-01-RA	.250 [6.35]	.254 [6.45]	.040 [1.02]	.044 [1.12]	.019 [0.48]	.015 [0.38]

PROPRIETARY NOTE
THIS DOCUMENT CONTAINS CONFIDENTIAL AND PROPRIETARY INFORMATION AND ALL DESIGN, MANUFACTURING, REPRODUCTION, USE, PATENT RIGHTS AND SALES RIGHTS ARE EXPRESSLY RESERVED BY SAMTEC, INC. THIS DOCUMENT SHALL NOT BE DISCLOSED, IN WHOLE OR PART, TO ANY UNAUTHORIZED PERSON OR ENTITY NOR REPRODUCED, TRANSFERRED OR INCORPORATED IN ANY OTHER PROJECT IN ANY MANNER WITHOUT THE EXPRESS WRITTEN CONSENT OF SAMTEC, INC.



520 PARK EAST BLVD, NEW ALBANY, IN 47150
PHONE: 812-944-6733 FAX: 812-948-5047
e-Mail: info@SAMTEC.com code: 55322

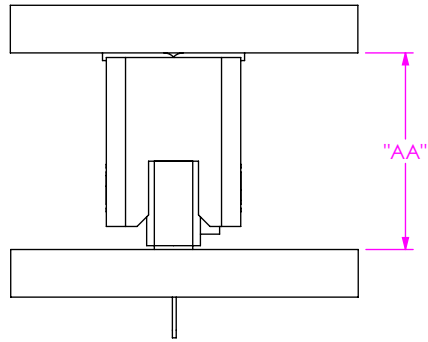


FIG 16
SFM-S-TH MATED WITH TFM-S-SM

		TABLE 16			
		SFM-S LEAD STYLE		WIPE	
		-01 / -03 / -L1 / -L3 / -T1		FULLY MATED	MIN @ "AA" MAX
TFM-S LEAD STYLE		"AA" FULLY MATED	"AA" MAX	FULLY MATED	MIN @ "AA" MAX
-02		.256 [6.50]	.256 [6.50]	.015 [0.38]	.015 [0.38]

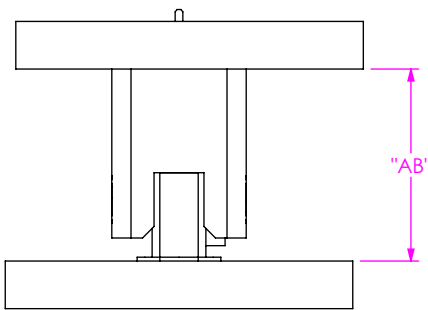


FIG 17
SFM-S-TH MATED WITH TFM-S-TH

		TABLE 17			
		SFM-S LEAD STYLE		WIPE	
		-01 / -03 / -L1 / -L3 / -T1		FULLY MATED	MIN @ "AB" MAX
TFM-S LEAD STYLE		"AB" FULLY MATED	"AB" MAX	FULLY MATED	MIN @ "AB" MAX
-01		.250 [6.35]	.250 [6.35]	.015 [0.38]	.015 [0.38]
-03		.250 [6.35]	.257 [6.53]	.022 [0.56]	.015 [0.38]

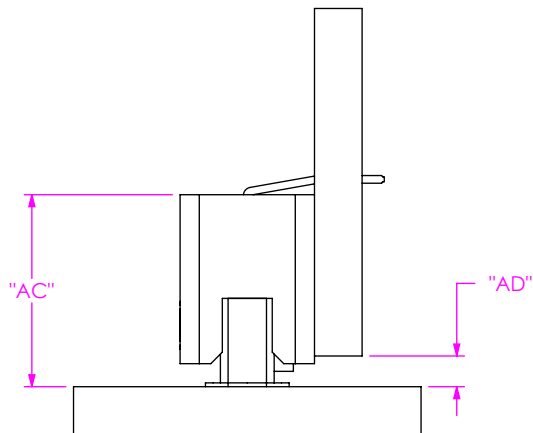


FIG 18
SFM-S-TH MATED WITH TFM-S-RA

		TABLE 18					
		SFM-S LEAD STYLE				WIPE	
		-01 / -03 / -L1 / -L3 / -T1				FULLY MATED	MIN @ "AC" MAX
TFM-S LEAD STYLE		"AC" FULLY MATED	"AC" MAX	"AD" FULLY MATED	"AD" MAX	FULLY MATED	MIN @ "AC" MAX
-01-RA		.250 [6.35]	.254 [6.45]	.040 [1.02]	.044 [1.12]	.019 [0.48]	.015 [0.38]

PROPRIETARY NOTE
THIS DOCUMENT CONTAINS CONFIDENTIAL AND PROPRIETARY INFORMATION AND ALL DESIGN, MANUFACTURING, REPRODUCTION, USE, PATENT RIGHTS AND SALES RIGHTS ARE EXPRESSLY RESERVED BY SAMTEC, INC. THIS DOCUMENT SHALL NOT BE DISCLOSED, IN WHOLE OR PART, TO ANY UNAUTHORIZED PERSON OR ENTITY NOR REPRODUCED, TRANSFERRED OR INCORPORATED IN ANY OTHER PROJECT IN ANY MANNER WITHOUT THE EXPRESS WRITTEN CONSENT OF SAMTEC, INC.



520 PARK EAST BLVD, NEW ALBANY, IN 47150
PHONE: 812-944-6733 FAX: 812-948-5047
e-Mail: info@SAMTEC.com code: 55322

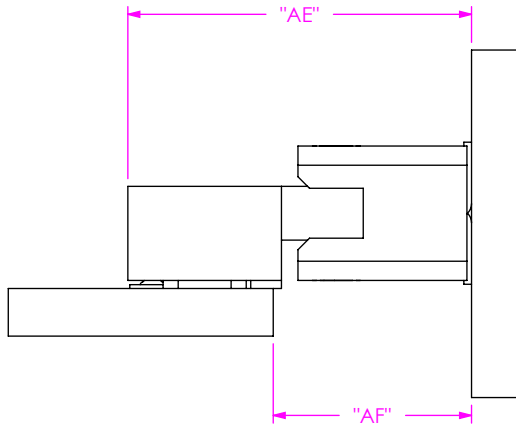


FIG 19
SFM-SH MATED WITH TFM-S-SM

		TABLE 19					
		SFM-S LEAD STYLE				WIPE	
		-02-SH				FULLY MATED	MIN @ "AE" MAX
"AE" FULLY MATED	"AE" MAX	"AF" FULLY MATED	"AF" MAX				
TFM-S LEAD STYLE	-02	.448 [11.38]	.455 [11.56]	.258 [6.55]	.265 [6.73]	.022 [0.56]	.015 [0.38]

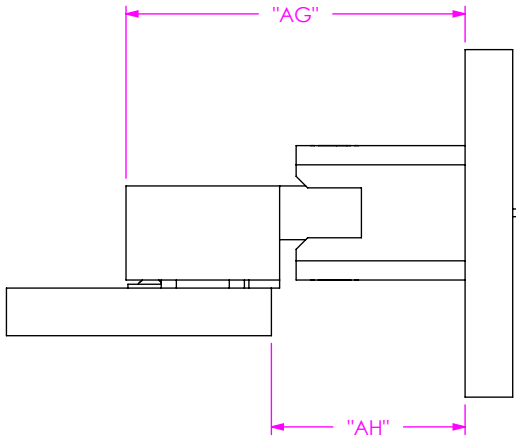


FIG 20
SFM-SH MATED WITH TFM-S-SM

		TABLE 20					
		SFM-S LEAD STYLE				WIPE	
		-02-SH				FULLY MATED	MIN @ "AG" MAX
"AG" FULLY MATED	"AG" MAX	"AH" FULLY MATED	"AH" MAX				
TFM-S LEAD STYLE	-01	.442 [11.23]	.449 [11.40]	.252 [6.40]	.259 [6.58]	.022 [0.56]	.015 [0.38]
	-03	.442 [11.23]	.457 [11.61]	.252 [6.40]	.267 [6.78]	.030 [0.76]	.015 [0.38]

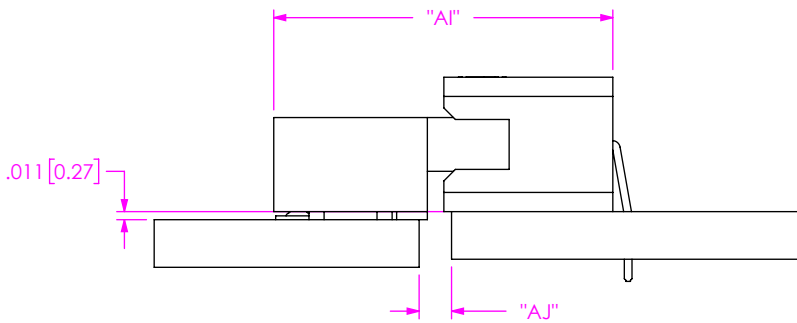


FIG 21
SFM-SH MATED WITH TFM-S-RA

		TABLE 21					
		SFM-S LEAD STYLE				WIPE	
		-02-SH				FULLY MATED	MIN @ "AI" MAX
"AI" FULLY MATED	"AI" MAX	"AJ" FULLY MATED	"AJ" MAX				
TFM-S LEAD STYLE	-01-RA	.442 [11.23]	.455 [11.56]	.042 [1.07]	.055 [1.40]	.028 [0.71]	.015 [0.38]

PROPRIETARY NOTE
THIS DOCUMENT CONTAINS CONFIDENTIAL AND PROPRIETARY INFORMATION AND ALL DESIGN, MANUFACTURING, REPRODUCTION, USE, PATENT RIGHTS AND SALES RIGHTS ARE EXPRESSLY RESERVED BY SAMTEC, INC. THIS DOCUMENT SHALL NOT BE DISCLOSED, IN WHOLE OR PART, TO ANY UNAUTHORIZED PERSON OR ENTITY NOR REPRODUCED, TRANSFERRED OR INCORPORATED IN ANY OTHER PROJECT IN ANY MANNER WITHOUT THE EXPRESS WRITTEN CONSENT OF SAMTEC, INC.

520 PARK EAST BLVD, NEW ALBANY, IN 47150
PHONE: 812-944-6733 FAX: 812-948-5047
e-Mail: info@SAMTEC.com code: 55322

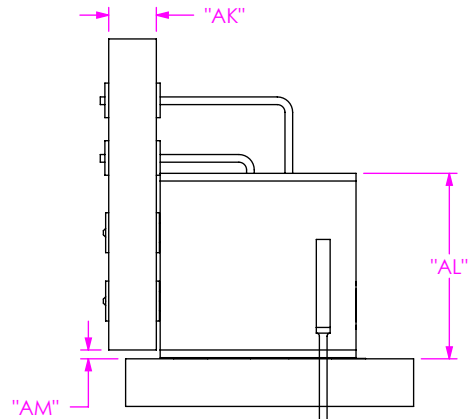


FIG 22
SFM-D-SM MATED WITH TFM-D-REX

		TABLE 22						
		SFM-D LEAD STYLE					WIPE	
		"AK"	-02 / -L2 / -T2				"AM" MAX	FULLY MATED
"AL" FULLY MATED	"AL" MAX		"AM" FULLY MATED	"AM" MAX				
TFM-D LEAD STYLE	-01-RE1	.062 [1.57]	.242 [6.13]	.257 [6.52]	.012 [0.29]	.027 [0.67]	.030 [0.76]	.015 [0.38]
	-01-RE2	.093 [2.36]	.242 [6.13]	.257 [6.52]	.012 [0.29]	.027 [0.67]	.030 [0.76]	.015 [0.38]

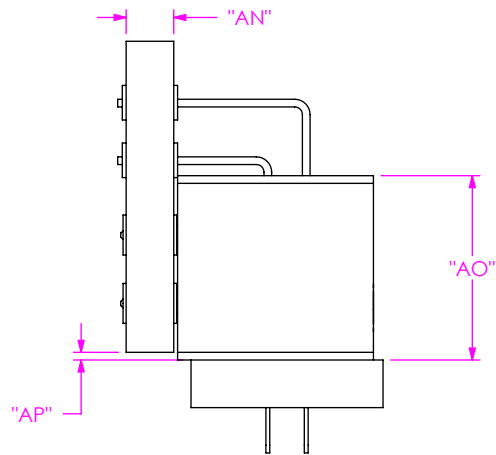


FIG 23
SFM-D-TH MATED WITH TFM-D-REX

		TABLE 23						
		SFM-D LEAD STYLE					WIPE	
		"AN"	-01 / -03 -L1 / -L3 / -T1				"AP" MAX	FULLY MATED
"AO" FULLY MATED	"AO" MAX		"AP" FULLY MATED	"AP" MAX				
TFM-D LEAD STYLE	-01-RE1	.062 [1.57]	.240 [6.10]	.251 [6.38]	.010 [0.25]	.021 [0.53]	.026 [0.66]	.015 [0.38]
	-01-RE2	.093 [2.36]	.240 [6.10]	.251 [6.38]	.010 [0.25]	.021 [0.53]	.026 [0.66]	.015 [0.38]

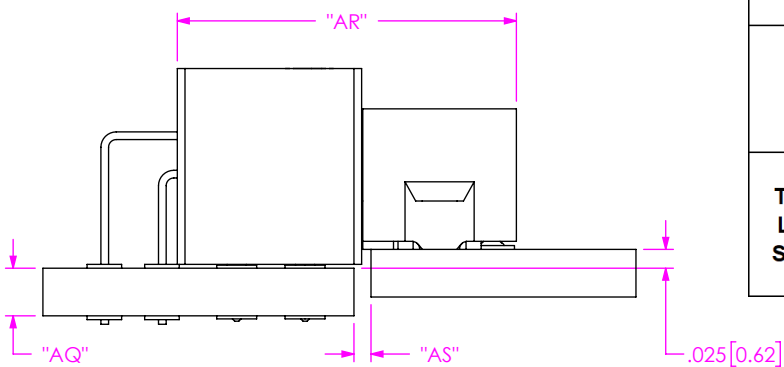


FIG 24
SFM-D-DH MATED WITH TFM-D-REX

		TABLE 24						
		SFM-D LEAD STYLE					WIPE	
		"AQ"	-02-DH				"AS" MAX	FULLY MATED
"AR" FULLY MATED	"AR" MAX		"AS" FULLY MATED	"AS" MAX				
TFM-D LEAD STYLE	-01-RE1	.062 [1.57]	.442 [11.23]	.457 [11.61]	.022 [0.56]	.037 [0.94]	.030 [0.76]	.015 [0.38]
	-01-RE2	.093 [2.36]	.442 [11.23]	.457 [11.61]	.022 [0.56]	.037 [0.94]	.030 [0.76]	.015 [0.38]



PROPRIETARY NOTE
THIS DOCUMENT CONTAINS CONFIDENTIAL AND PROPRIETARY INFORMATION AND ALL DESIGN, MANUFACTURING, REPRODUCTION, USE, PATENT RIGHTS AND SALES RIGHTS ARE EXPRESSLY RESERVED BY SAMTEC, INC. THIS DOCUMENT SHALL NOT BE DISCLOSED, IN WHOLE OR PART, TO ANY UNAUTHORIZED PERSON OR ENTITY NOR REPRODUCED, TRANSFERRED OR INCORPORATED IN ANY OTHER PROJECT IN ANY MANNER WITHOUT THE EXPRESS WRITTEN CONSENT OF SAMTEC, INC.



520 PARK EAST BLVD, NEW ALBANY, IN 47150
PHONE: 812-944-6733 FAX: 812-948-5047
e-Mail: info@SAMTEC.com code: 55322

Looking for pricing, stock, or lifecycle information?

Click below to explore more details on WIN SOURCE:

-  [View TFM-125-32-STL-D-LC on WIN SOURCE](#)
-  [Samtec Inc. Information](#)

Optimize Your Supply Chain with WIN SOURCE Solutions

-  Global Sourcing Solution
-  Obsolete Management
-  Cost Control Management
-  Shortage Management
-  Alternative Solution
-  Excess Inventory Management