



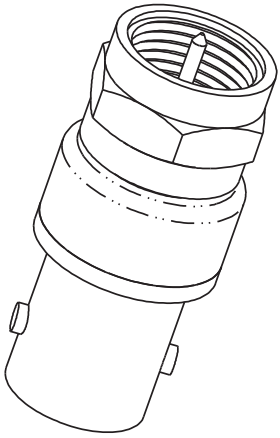
THE DATASHEET OF AD1300



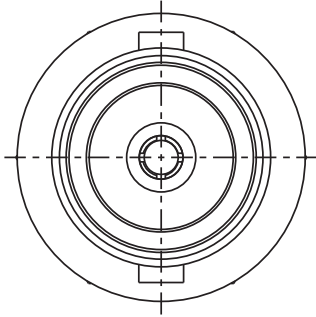
DWG NO. 1-0612 SH CUSTOMER

DATA CONTAINED IN THIS DOCUMENT IS PROPRIETARY TO EMERSON CONNECTIVITY SOLUTIONS AND SHALL NOT BE DISCLOSED, COPIED OR USED FOR PROCUREMENT OR MANUFACTURE WITHOUT EXPRESS WRITTEN PERMISSION

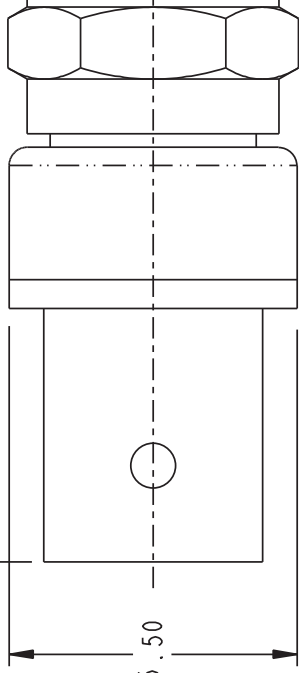
REV	DESCR I
B	REVISED PER ECO



1.06 ± .03



∅ .50



- 2. FINISH
HOUSING: TFS-1A (NICKEL)
CONTACT: TFS-1B (GOLD)
- 1. BETWEEN SERIES 75Ω COAXIAL FEMALE BNC TO MALE 'F' ADAPTER



NOTES: UNLESS OTHERWISE SPECIFIED.

INTERPRET DRAWING PER MIL-STD-100 DIMENSIONS ARE IN INCHES AND INCLUDE FINISH THICKNESS UNLESS OTHERWISE SPECIFIED.		TOL: UNLESS SPECIFIED: XX ± .02 XXY ± .010 ANGLE ± 1°	
DRN	JCM	MATERIAL:	
CHK		TITLE:	
QUALITY		FINISH:	
MANUF		SIZE	
APPROVED		A	
PROTE FILE NO: 1-0612		DO NOT SCALE DWG	

BLANK LENGTH (REF. ONLY)	
SURFACE AREA	

Looking for pricing, stock, or lifecycle information?

Click below to explore more details on WIN SOURCE:

-  [View AD1300 on WIN SOURCE](#)
-  [Cinch Connectivity Solutions](#) Information

Optimize Your Supply Chain with WIN SOURCE Solutions

-  Global Sourcing Solution
-  Obsolete Management
-  Cost Control Management
-  Shortage Management
-  Alternative Solution
-  Excess Inventory Management