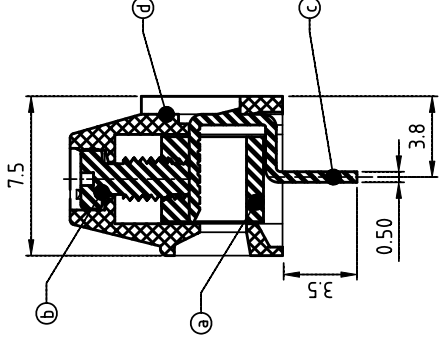
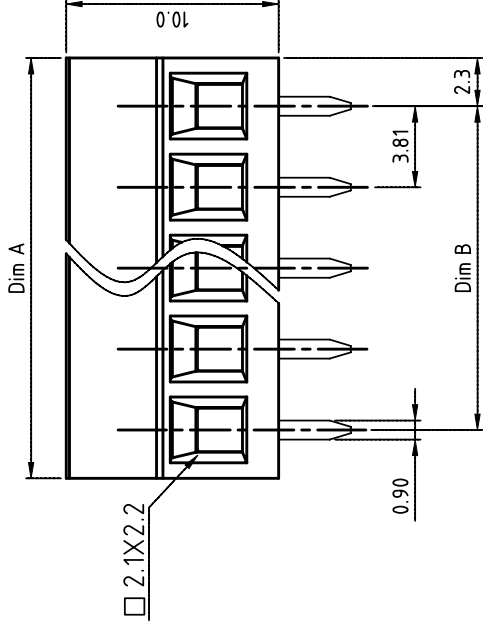
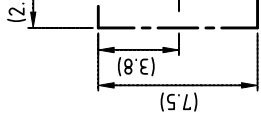
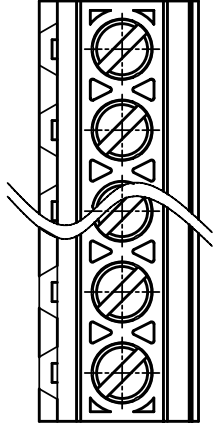




**THE DATASHEET OF
ED163150000G**



PRODUCT NUMBER	PITCH
EDxx31x00J0G	3.81mm



- Ma
- H
- H
- H
- H
- H
- Ele
- V
- C
- W
- S
- S
- T
- S
- W
- W
- O
- S
- S

N=Number of poles
Dimension A&B

Dim A	(N-1)×3.81+4.55
Dim B	(N-1)×3.81

Poles	Dim A & B Tolerance
2P-4P	±0.15
5P-8P	±0.20
9P-16P	±0.30
17P-24P	±0.40

PART NO.: ED xx 3 1 x 0 00J0 G

- Solid Block 0 Black (RAL9005)
 - No. of poles 2 Red (RAL3001/D)
 - 02 2 poles 3 Orange(RAL2011/P)
 - 03 3 poles 4 Yellow(RAL1018/A)
 - ... 5 Green(RAL6018/T)
 - 24 24 poles 6 Blue (RAL5015/A)
 - 8 Grey(RAL7035/D)
 - 9 White(RAL1102)
 - C Green(RAL6018/U)
- Color
RoHS compliant (lead<4%) in copper Alloy

mat'l. code		surface		tolerances unless oth	
ltr	ecn no	dr	date	angles	dr
				X±1°	
sheet index	revision	sheet		A	
		1		1	

form: A4mmXLc

1

2

PDS: Rev

Looking for pricing, stock, or lifecycle information?

Click below to explore more details on WIN SOURCE:

- ⊖ [View ED163150000G on WIN SOURCE](#)
- ⊖ [Amphenol Anytek Information](#)

Optimize Your Supply Chain with WIN SOURCE Solutions

- ✓ Global Sourcing Solution
- ✓ Obsolete Management
- ✓ Cost Control Management
- ✓ Shortage Management
- ✓ Alternative Solution
- ✓ Excess Inventory Management