



**THE DATASHEET OF  
JK0-0177NL**



**Description:**  
1000 Base-T RJ45 single port with integrated magnetics - Designed for most leading PHY manufacturers with the addition of Power over Ethernet, according to IEEE 802.3at



**Features and Benefits:**

- Ⓢ RoHS peak wave solder temperature rating 260°C
- Ⓢ Single port Connector for PoE applications
- Ⓢ High performance for maximum EMI suppression

**Electrical Specifications @ 25°C - Operating Temperature 0°C to +70°C**

| RoHS Compliant Part No.  | Tab Option | LEDs <sup>1</sup> L/R | Insertion Loss TX/RX (dB TYP) | Return Loss (dB TYP)<br>100Ω (± 15 Ω) |        |           |         | Crosstalk (dB TYP) |        |         | Common Mode Rejection (dB TYP) |            | Hipot (VDC) |
|--------------------------|------------|-----------------------|-------------------------------|---------------------------------------|--------|-----------|---------|--------------------|--------|---------|--------------------------------|------------|-------------|
|                          |            |                       |                               | 1-100 MHz                             | 30 MHz | 60-80 MHz | 100 MHz | 30 MHz             | 60 MHz | 100 MHz | 1-50 MHz                       | 50-130 MHz |             |
| JKO-0177NL               | UP         | Y-G/G                 | -1.0                          | -16                                   | -12    | -10       | -44     | -37                | -33    | -27     | -20                            | 2250       |             |
| JXKO-0190NL <sup>2</sup> | UP         | Y-G/G                 | -1.0                          | -16                                   | -12    | -10       | -44     | -37                | -33    | -27     | -20                            | 2250       |             |

**Notes:**

1. LEDs Left/Right: **G** = green; **Y** = yellow
2. JXKO: Operating temperature -40°C to +85°C.

**RJ45 Durability Testing Rating**

| Part Number     | Mating Force (MAX) | Unmating Force (MAX) | Durability     | Plug to Jack Retention (MIN) |
|-----------------|--------------------|----------------------|----------------|------------------------------|
| JKO/JXKO Series | 5 lbs./2.268 kgs.  | 5 lbs./2.268 kgs.    | 500 Insertions | 20 lbs./9.072 kgs.           |

**RJ45 Material Specification**

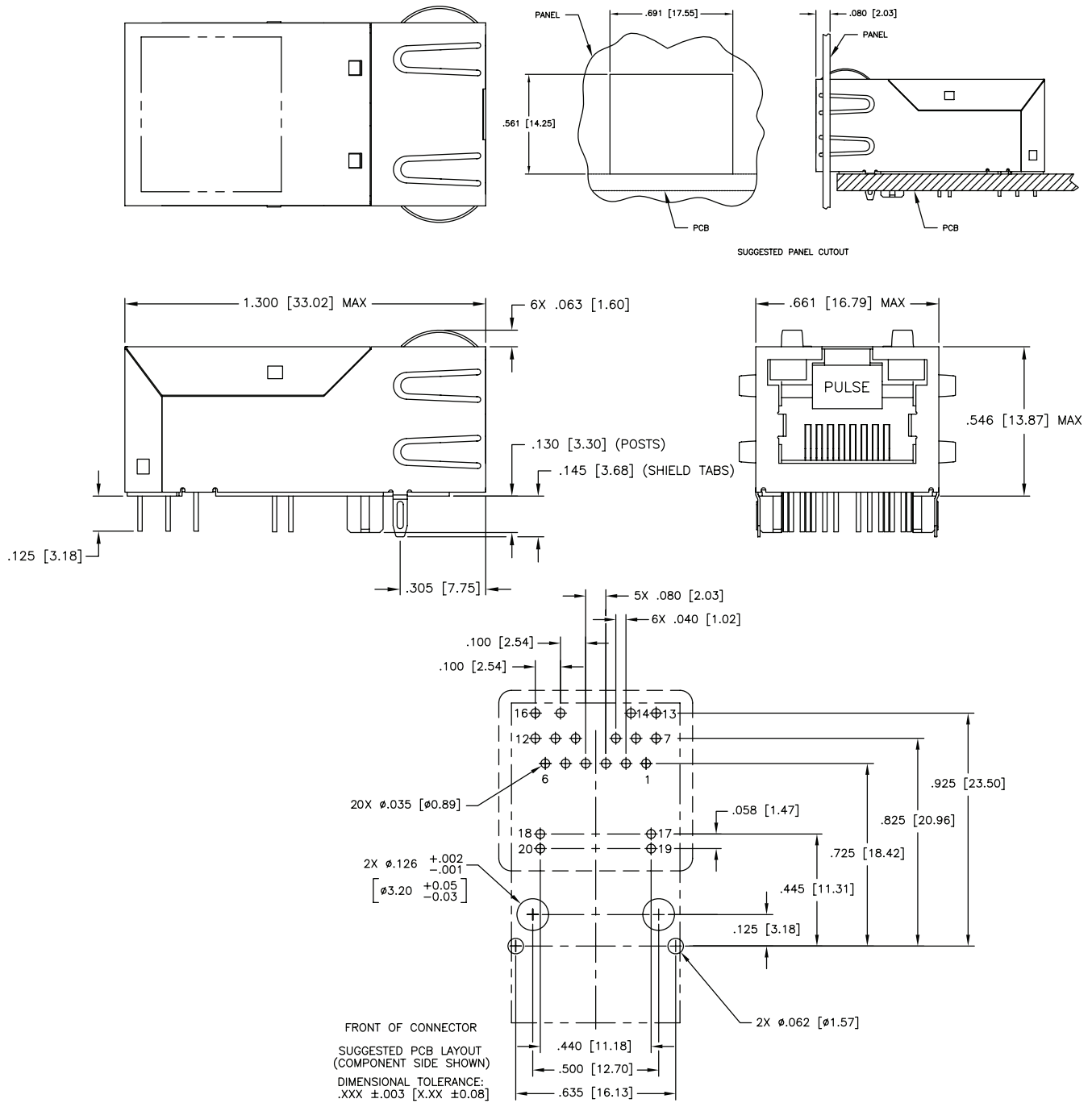
| Part Number     | Shield   |                                       | Contact         |   |                              | Housing       |               | MSL <sup>2</sup> Rating |
|-----------------|----------|---------------------------------------|-----------------|---|------------------------------|---------------|---------------|-------------------------|
|                 | Material | Finish                                | Material        | Plating Area                              | Solder Area                  | Material      | Specification |                         |
| JKO/JXKO Series | Brass    | 20-40μ inches thick Nickel over brass | Phosphor Bronze | 30μ inches gold over 30-50μ inches nickel | Tin Matte finish over nickel | Thermoplastic | UL 94 V-0     | 1                       |

**Notes:**

1. Connector dimensions comply with FCC dimension requirements.
2. MSL = Moisture Sensitivity Level class limits = 1 to 5 (Highest: 1; Lowest: 5)

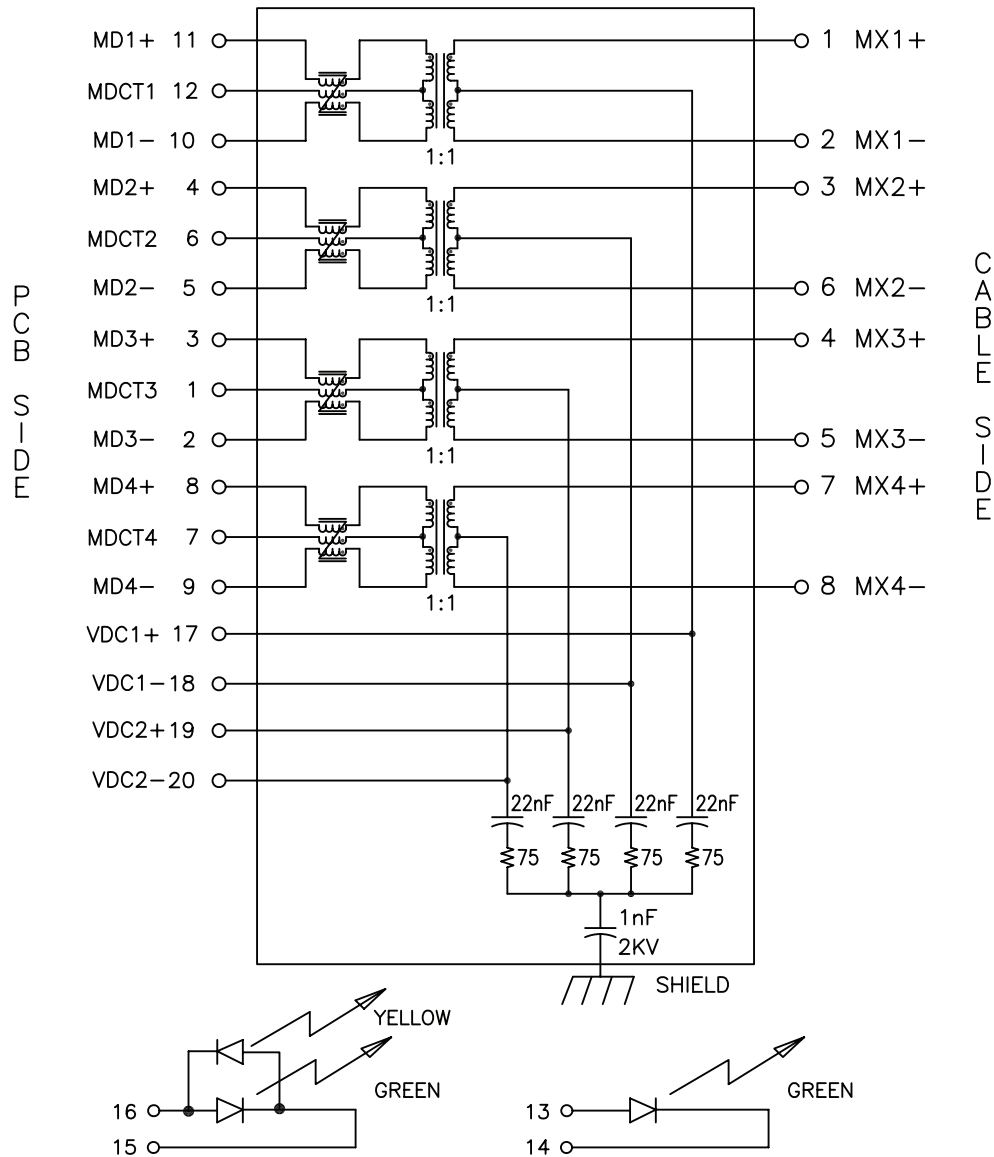
**Mechanical**

**JKO-0177NL, JXKO-0190NL**



### Schematic

JKO-0177NL, JXKO-0190NL



#### For More Information:

Americas - [prodinfonetworkamericas@pulseelectronics.com](mailto:prodinfonetworkamericas@pulseelectronics.com) | Europe - [comms-apps-europe@pulseelectronics.com](mailto:comms-apps-europe@pulseelectronics.com) | Asia - [prodinfonetworkapac@pulseelectronics.com](mailto:prodinfonetworkapac@pulseelectronics.com)

Performance warranty of products offered on this data sheet is limited to the parameters specified. Data is subject to change without notice. Other brand and product names mentioned herein may be trademarks or registered trademarks of their respective owners. © Copyright, 2020. Pulse Electronics, Inc. All rights reserved.

## Looking for pricing, stock, or lifecycle information?

Click below to explore more details on WIN SOURCE:

 [View JK0-0177NL on WIN SOURCE](#)

 [Pulse Information](#)

## Optimize Your Supply Chain with WIN SOURCE Solutions

-  Global Sourcing Solution
-  Obsolete Management
-  Cost Control Management
-  Shortage Management
-  Alternative Solution
-  Excess Inventory Management