



THE DATASHEET OF PS-522Q

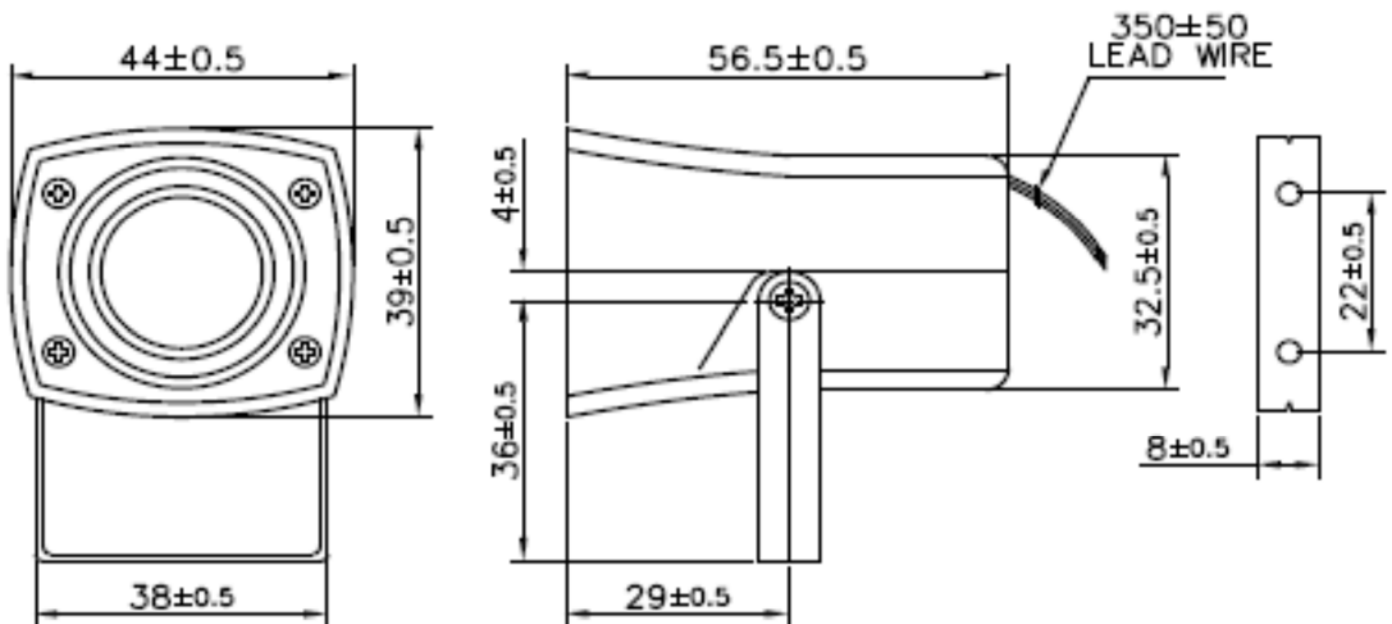


**May not be suitable for all Medical and Aerospace applications.
Contact Mallory Sonalert to discuss your application.**

Resonant Frequency (Hz)	2500 to 3500
Operating Voltage (Vdc)	5 ~ 15
Rated Voltage (Vdc)	12
Current Consumption (mA/max)	200 at Rated Voltage
Sound Pressure Level (dB/min)	105 at 100cm at Rated voltage
Tone/Pulse Rate (Hz)	Hi/Low 1.2 ± 20%
Operating Temperature (°C)	-20 ~ +70
Storage Temperature (°C)	-30 ~ +80
Housing	ABS 757 UL94HB plastic resin (Color: Black)
Lead Wire	20 AWG
Weight (Grams)	54.2
Options	For other options contact factory



Dimensions: (units: mm)

RoHS Compliant



Looking for pricing, stock, or lifecycle information?

Click below to explore more details on WIN SOURCE:

-  [View PS-522Q on WIN SOURCE](#)
-  [Mallory Sonalert Products Inc. Information](#)

Optimize Your Supply Chain with WIN SOURCE Solutions

-  Global Sourcing Solution
-  Obsolete Management
-  Cost Control Management
-  Shortage Management
-  Alternative Solution
-  Excess Inventory Management