



**THE DATASHEET OF  
EN3C16F26SX**



## Specifications continued

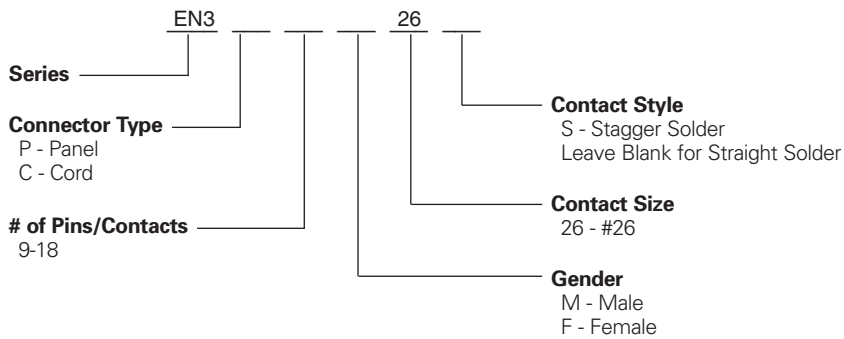
### Environmental

- Temperature Limits: -40°C to +65°C (non-operating)
- Moisture Resistance: Mil-Std 202 Method 106F
- Insulation Resistance: Mil-Std 202 Method 302 condition B
- Thermal Shock: Mil-Std 202 Method 107G
- Salt Spray: Mil-Std 202 Method 101D condition B

### Ratings

- IP16/IP18
- IP66/IP68
- NEMA 250 (6P)
- CFR 46 Part 110.20
- UL 94V-O

## Ordering information



See Engineering Design Guide or website for details on the complete EN3 product line. The EN3 Series is available in a wide assortment of pin counts, configurations, plating materials, and styles. Contact the factory for details.

## Looking for pricing, stock, or lifecycle information?

Click below to explore more details on WIN SOURCE:

 [View EN3C16F26SX on WIN SOURCE](#)

 [Switchcraft Inc. Information](#)

## Optimize Your Supply Chain with WIN SOURCE Solutions

-  Global Sourcing Solution
-  Obsolete Management
-  Cost Control Management
-  Shortage Management
-  Alternative Solution
-  Excess Inventory Management