

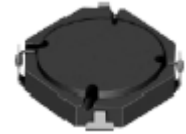


**THE DATASHEET OF
CLS4D14-470**

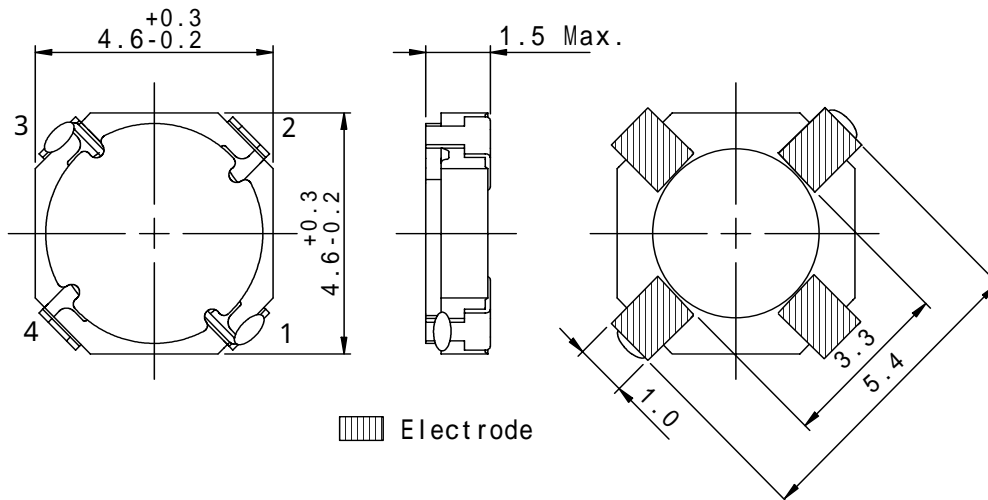
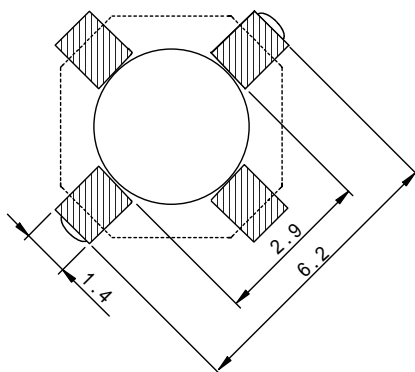
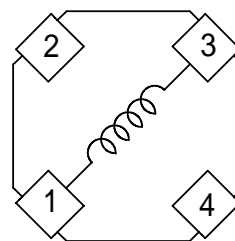
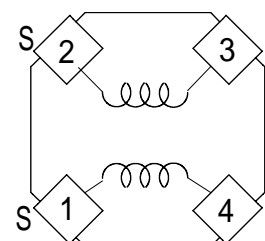


Type: CLS4D14
Product Description

- 4.9 × 4.9mm Max.(L × W),1.5mm Max. Height.
- 4 Terminal pins' type gives a flexible design as inductors or transformers (SEPIC,ZETA circuit)
- Custom design is available.


Feature

- Max. Operating frequency 1MHz, Max.
- Ideally used in portable devices such as Mobilephone,DSC/DVC,MP3,PDA, etc as DC-DC Converter inductors, specially suitable for White LED drive.
- It is possible to output high voltage and get sufficient accuracy which is hard to obtain with an ordinary inductor.
- RoHS Compliance

Dimensions (mm)

Land Pattern (mm)

Schematics (Bottom)

For Inductor

For 2 in 1 Transformer

Type: CLS4D14
Specification (For Inductor)

Part Name	Stamp	Inductance (μ H) [Within] 100kHz	D.C.R.(m Ω) Max.(Typ.) (at 20 $^{\circ}$ C)	Saturation Current (mA) (at 20 $^{\circ}$ C) 1	Temperature rise current (mA) 2
CLS4D14-4R7N	4R7	4.7 \pm 30%	110(85)	900	1000
CLS4D14-6R8N	6R8	6.8 \pm 30%	130(100)	800	1000
CLS4D14-10 \emptyset N	100	10 \pm 30%	180(140)	650	850
CLS4D14-15 \emptyset N	150	15 \pm 30%	270(210)	550	630
CLS4D14-22 \emptyset N	220	22 \pm 30%	390(300)	450	520
CLS4D14-33 \emptyset N	330	33 \pm 30%	560(430)	350	420
CLS4D14-47 \emptyset N	470	47 \pm 30%	830(640)	300	330

Description Of Part Name

CLS4D14NP - 4R7N

└──	B	Box
└──	C	Carrier Tape

1. Saturation current: The DC current at which the inductance decreases to 65% of it's nominal value.
2. Temperature rise current: The DC current at which the temperature rise is $t = 40^{\circ}$ C. ($T_a = 20^{\circ}$ C).

Specification (For 2 in 1 Transformer)

Sample No.	Inductance (at 100kHz)	D.C.R.(m Ω) Max. (at 20 $^{\circ}$ C)	Rated current (mA)
5362-T033	9.0 μ H \pm 30%	400	410

Rated current: The DC current at which the inductance decreases to 90 % of it's initial value or when $t = 40^{\circ}$ C, whichever is lower ($T_a = 20^{\circ}$ C).

Looking for pricing, stock, or lifecycle information?

Click below to explore more details on WIN SOURCE:

- [View CLS4D14-470 on WIN SOURCE](#)
- [Sumida America Components Inc. Information](#)

Optimize Your Supply Chain with WIN SOURCE Solutions

- ✓ Global Sourcing Solution
- ✓ Obsolete Management
- ✓ Cost Control Management
- ✓ Shortage Management
- ✓ Alternative Solution
- ✓ Excess Inventory Management