



**THE DATASHEET OF
ANT2012LL13R2400A**



DATA SHEET

WIRELESS COMPONENTS

Ceramic Chip Antenna
ANT2012LL13R2400A

2.4 – 2.5 GHz
2012 Series



FEATURES

- Compact size
- Omni-directional radiation
- Tape & reel automatic mounting
- Reflow process compatible
- RoHS compliant

APPLICATIONS

- 2.4 GHz WiFi device
- Bluetooth gadget
- Zigbee device
- ISM band equipment

2
2

ORDERING INFORMATION

All part numbers are identified by the series, packing type, material, size, antenna type, working frequency and packing quantity.

PART NUMBER

ANT 2012 L L13 R 2400A

(1) (2) (3) (4) (5) (6)

()

1 PRODUCT

ANT = Antenna

(2) SIZE

2012= 2.0 ×1.2 mm

()

3 ANTENNA TYPE

L,F,A = Chip Antenna

(4) SERIAL NO.

L13

(5) PACKING STYLE

R = Tape and Reel

(6) WORKING FREQUENCY

2400 = 2.400 GHz

PHYCOMP CTC

CAN4311714132454K

I2NC

431171413245

SPECIFICATION

Table I

DESCRIPTION	VALUE
Centre Frequency	2.45 GHz
Bandwidth	85 MHz (Typ.)
Polarization	Linear
Azimuth Beamwidth	Omni-directional
Peak Gain	2.72 dBi (Typ.)
Impedance	50 Ω
Operating Temperature	- 40~105 °C
Maximum Power	1 W
Termination	Ni / Sn (Environmentally-Friendly Leadless)
Resistance to Soldering Heats	260°C , 10sec.

NOTE

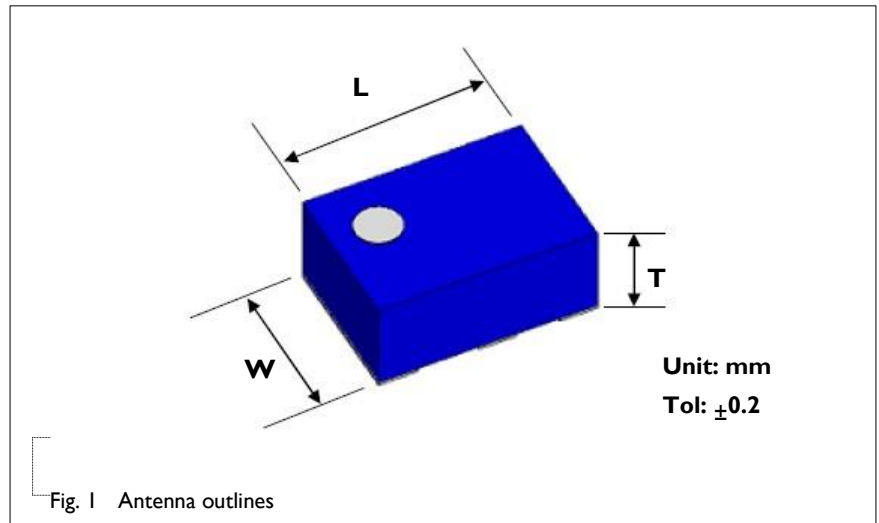
I. The specification is defined on Yageo evaluation board

DIMENSIONS

Table 2 Machinical Dimension

	DIMENSION
L (mm)	2 ±0.20
W (mm)	1.25 ±0.20
T (mm)	1.00 ±0.20

OUTLINES





REFERENCE DESIGN OF EVALUATION BOARD



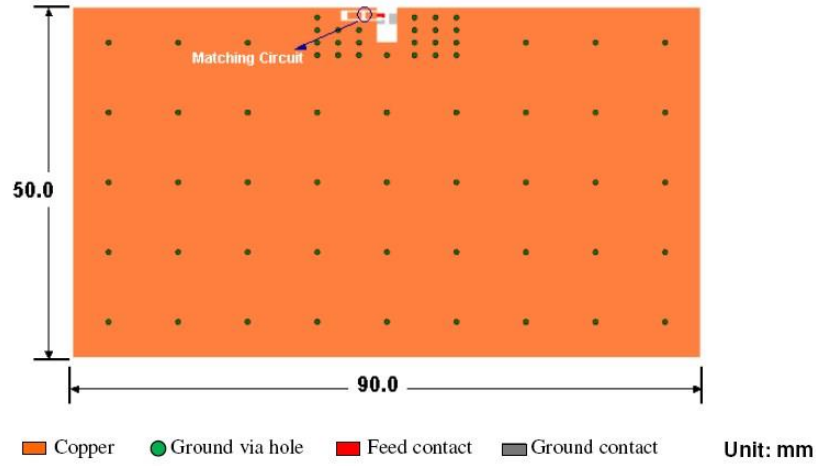


Fig. 2 Outlook and dimension of evaluation board

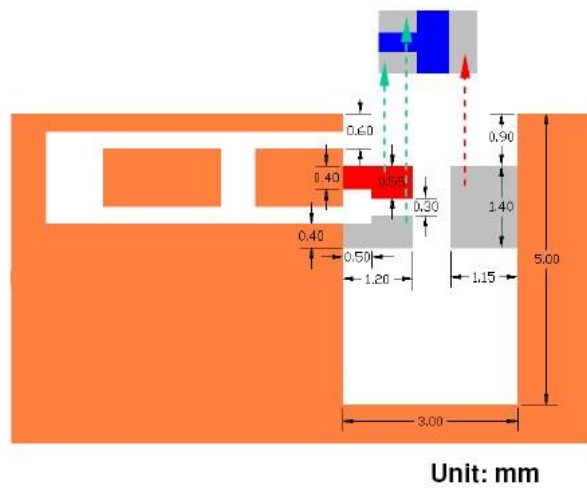


Fig. 3 Dimension of footprint

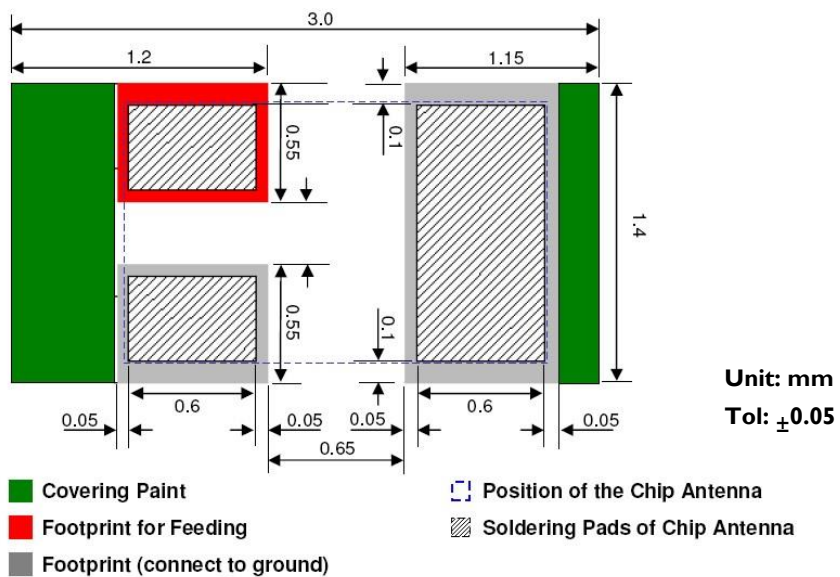
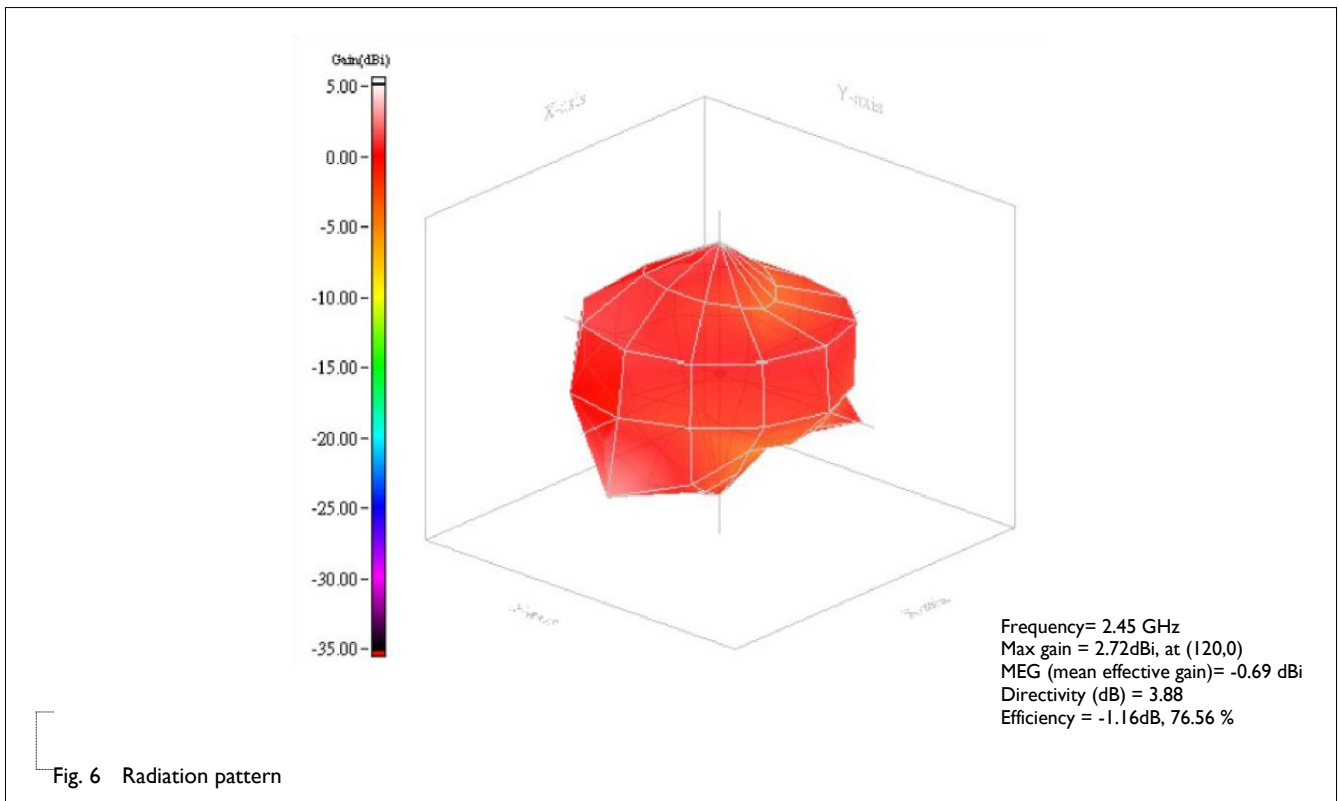


Fig. 4 Details of soldering pad





ELECTRICAL PERFORMANCES

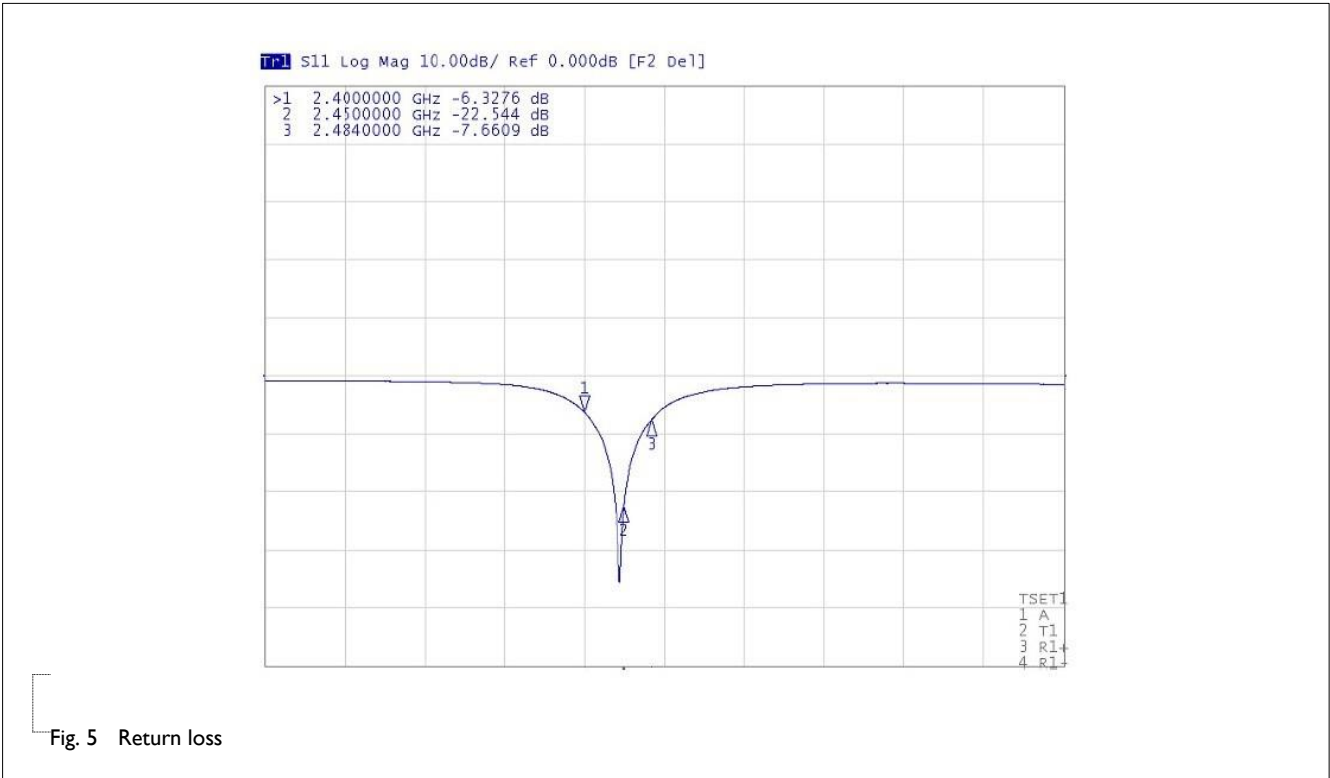


Fig. 5 Return loss

6

6

REVISION HISTORY

REVISION DATE	CHANGE NOTIFICATION	DESCRIPTION
---------------	---------------------	-------------

Version 0	Mar. 05, 2013	- New data sheet for SMD type antenna, 2.45GHz application, 2012 series.
-----------	---------------	--



Looking for pricing, stock, or lifecycle information?

Click below to explore more details on WIN SOURCE:

- ⊖ [View ANT2012LL13R2400A on WIN SOURCE](#)
- ⊖ [PulseLarsen Antennas Information](#)

Optimize Your Supply Chain with WIN SOURCE Solutions

- ✓ Global Sourcing Solution
- ✓ Obsolete Management
- ✓ Cost Control Management
- ✓ Shortage Management
- ✓ Alternative Solution
- ✓ Excess Inventory Management