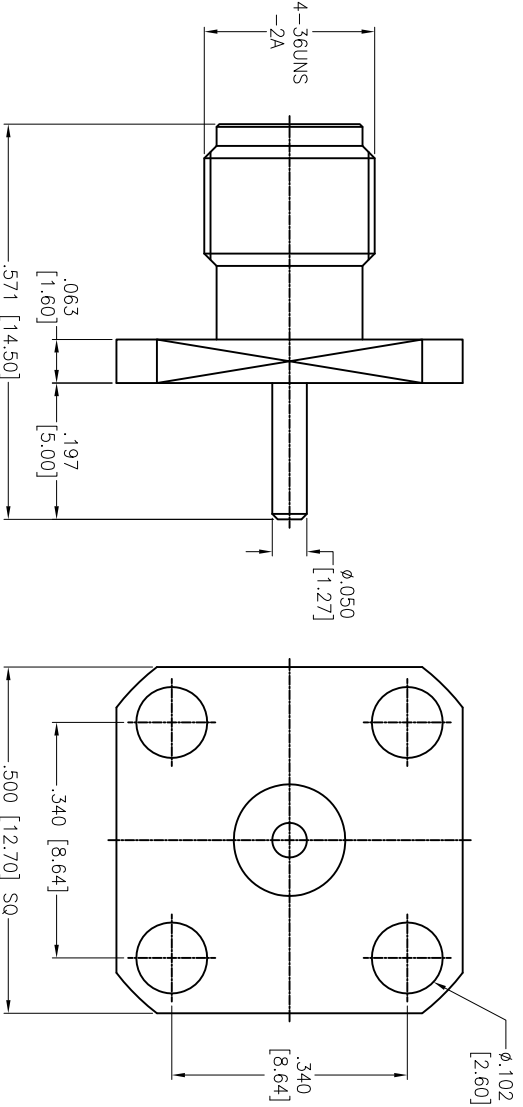




**THE DATASHEET OF
RF2-155-T-00-50-G**



| Rev | AWO # | Description | Date | Appr |
|-----|-------|-------------|---------|------|
| - | | RELEASED | 7/20/16 | |



| |
|--------|
| GOLD |
| WHITE |
| GOLD |
| FINISH |

UNLESS OTHERWISE SPECIFIED
ALL DIMENSIONS ARE INCHES [MM]
TOLERANCES: EXCEPT AS NOTED
INCHES Holes
.X ± .10 ØX ± .10
.XX ± .020 ØXXX ± .015
.XXX ± .015 ØXXXX ± .010

ADAM TECH
909 Rahway Avenue, Union, NJ 07083
Phone: 908-687-5000 Fax: 908-687-5710



| APPROVALS | DATE |
|------------|---------|
| DRAWN AY | 7/20/16 |
| CHECKED SY | 7/20/16 |
| APPROVED | |

| | | | |
|-------|-------------------|---|-----|
| TITLE | | RF CONNECTOR, SMA STR PANEL RECEPT JACK | |
| SIZE | PART NO. | REV. | |
| X | RF2-155-I-00-50-G | - | |
| REF: | S00277T | SCALE: | NTS |
| SHEET | 1 | OF | 1 |



Looking for pricing, stock, or lifecycle information?

Click below to explore more details on WIN SOURCE:

-  [View RF2-155-T-00-50-G on WIN SOURCE](#)
-  [Adam Technologies, Inc. Information](#)

Optimize Your Supply Chain with WIN SOURCE Solutions

-  Global Sourcing Solution
-  Obsolete Management
-  Cost Control Management
-  Shortage Management
-  Alternative Solution
-  Excess Inventory Management