



**THE DATASHEET OF  
XMC1100T016X0032AAXUMA1**



# XMC1100

Microcontroller Series  
for Industrial Applications

XMC1000 Family

ARM<sup>®</sup> Cortex<sup>™</sup>-M0  
32-bit processor core

Data Sheet

V1.4 2014-05

Microcontrollers

**Edition 2014-05**

**Published by  
Infineon Technologies AG  
81726 Munich, Germany**

**© 2014 Infineon Technologies AG  
All Rights Reserved.**

#### **Legal Disclaimer**

The information given in this document shall in no event be regarded as a guarantee of conditions or characteristics. With respect to any examples or hints given herein, any typical values stated herein and/or any information regarding the application of the device, Infineon Technologies hereby disclaims any and all warranties and liabilities of any kind, including without limitation, warranties of non-infringement of intellectual property rights of any third party.

#### **Information**

For further information on technology, delivery terms and conditions and prices, please contact the nearest Infineon Technologies Office ([www.infineon.com](http://www.infineon.com)).

#### **Warnings**

Due to technical requirements, components may contain dangerous substances. For information on the types in question, please contact the nearest Infineon Technologies Office.

Infineon Technologies components may be used in life-support devices or systems only with the express written approval of Infineon Technologies, if a failure of such components can reasonably be expected to cause the failure of that life-support device or system or to affect the safety or effectiveness of that device or system. Life support devices or systems are intended to be implanted in the human body or to support and/or maintain and sustain and/or protect human life. If they fail, it is reasonable to assume that the health of the user or other persons may be endangered.

# XMC1100

Microcontroller Series  
for Industrial Applications

XMC1000 Family

ARM<sup>®</sup> Cortex<sup>™</sup>-M0  
32-bit processor core

Data Sheet

V1.4 2014-05

**XMC1100 Data Sheet**

**Revision History: V1.4 2014-05**

Previous Version: V1.3

Page	Subjects
<b>Page 10</b>	ADC channels of Table 2 is updated. Table 3 is added.
<b>Page 10</b>	Description for Chip Identification Number of Section 1.4 is updated.
<b>Page 17</b>	The pad type is corrected for P1.6 in Table 6.
<b>Page 29</b>	The $t_{C12}$ , $f_{C12}$ , $t_{C10}$ , $f_{C10}$ , $t_{C8}$ and $f_{C8}$ parameters are updated in Table 12.
<b>Page 32</b>	Figure 8 is added.
<b>Page 33</b>	The $t_{SR}$ and $t_{TSAL}$ parameters are updated in Table 13.
<b>Page 36</b>	Parameter name for $t_{PSE}$ is updated. The $N_{WSFLASH}$ parameter and test condition for $t_{RET}$ are added to Table 16.
<b>Page 39</b>	The min value for $V_{DDPBO}$ parameter is added to Table 18. Footnote 1 is updated.
<b>Page 41</b>	The $\Delta f_{LTT}$ parameter is added to Table 19.
<b>Page 47</b>	Figure 13 is added.

**Trademarks**

C166™, TriCore™ and DAVE™ are trademarks of Infineon Technologies AG.

ARM®, ARM Powered® and AMBA® are registered trademarks of ARM, Limited.

Cortex™, CoreSight™, ETM™, Embedded Trace Macrocell™ and Embedded Trace Buffer™ are trademarks of ARM, Limited.

**We Listen to Your Comments**

Is there any information in this document that you feel is wrong, unclear or missing?

Your feedback will help us to continuously improve the quality of this document.

Please send your proposal (including a reference to this document) to:

[mcdocu.comments@infineon.com](mailto:mcdocu.comments@infineon.com)



## Table of Contents

<b>1</b>	<b>Summary of Features</b> .....	<b>7</b>
1.1	Ordering Information .....	8
1.2	Device Types .....	9
1.3	Device Type Features .....	10
1.4	Chip Identification Number .....	10
<b>2</b>	<b>General Device Information</b> .....	<b>12</b>
2.1	Logic Symbols .....	12
2.2	Pin Configuration and Definition .....	14
2.2.1	Package Pin Summary .....	17
2.2.2	Port I/O Functions .....	20
<b>3</b>	<b>Electrical Parameter</b> .....	<b>23</b>
3.1	General Parameters .....	23
3.1.1	Parameter Interpretation .....	23
3.1.2	Absolute Maximum Ratings .....	24
3.1.3	Operating Conditions .....	25
3.2	DC Parameters .....	26
3.2.1	Input/Output Characteristics .....	26
3.2.2	Analog to Digital Converters (ADC) .....	29
3.2.3	Temperature Sensor Characteristics .....	33
3.2.4	Power Supply Current .....	34
3.2.5	Flash Memory Parameters .....	36
3.3	AC Parameters .....	37
3.3.1	Testing Waveforms .....	37
3.3.2	Output Rise/Fall Times .....	38
3.3.3	Power-Up and Supply Threshold Characteristics .....	39
3.3.4	On-Chip Oscillator Characteristics .....	41
3.3.5	Serial Wire Debug Port (SW-DP) Timing .....	43
3.3.6	SPD Timing Requirements .....	44
3.3.7	Peripheral Timings .....	45
3.3.7.1	Synchronous Serial Interface (USIC SSC) Timing .....	45
3.3.7.2	Inter-IC (IIC) Interface Timing .....	48
3.3.7.3	Inter-IC Sound (IIS) Interface Timing .....	50
<b>4</b>	<b>Package and Reliability</b> .....	<b>52</b>
4.1	Package Parameters .....	52
4.1.1	Thermal Considerations .....	52
4.2	Package Outlines .....	54
<b>5</b>	<b>Quality Declaration</b> .....	<b>58</b>

## **About this Document**

This Data Sheet is addressed to embedded hardware and software developers. It provides the reader with detailed descriptions about the ordering designations, available features, electrical and physical characteristics of the XMC1100 series devices.

The document describes the characteristics of a superset of the XMC1100 series devices. For simplicity, the various device types are referred to by the collective term XMC1100 throughout this document.

### **XMC1000 Family User Documentation**

The set of user documentation includes:

- **Reference Manual**
  - describes the functionality of the superset of devices.
- **Data Sheets**
  - list the complete ordering designations, available features and electrical characteristics of derivative devices.
- **Errata Sheets**
  - list deviations from the specifications given in the related Reference Manual or Data Sheets. Errata Sheets are provided for the superset of devices.

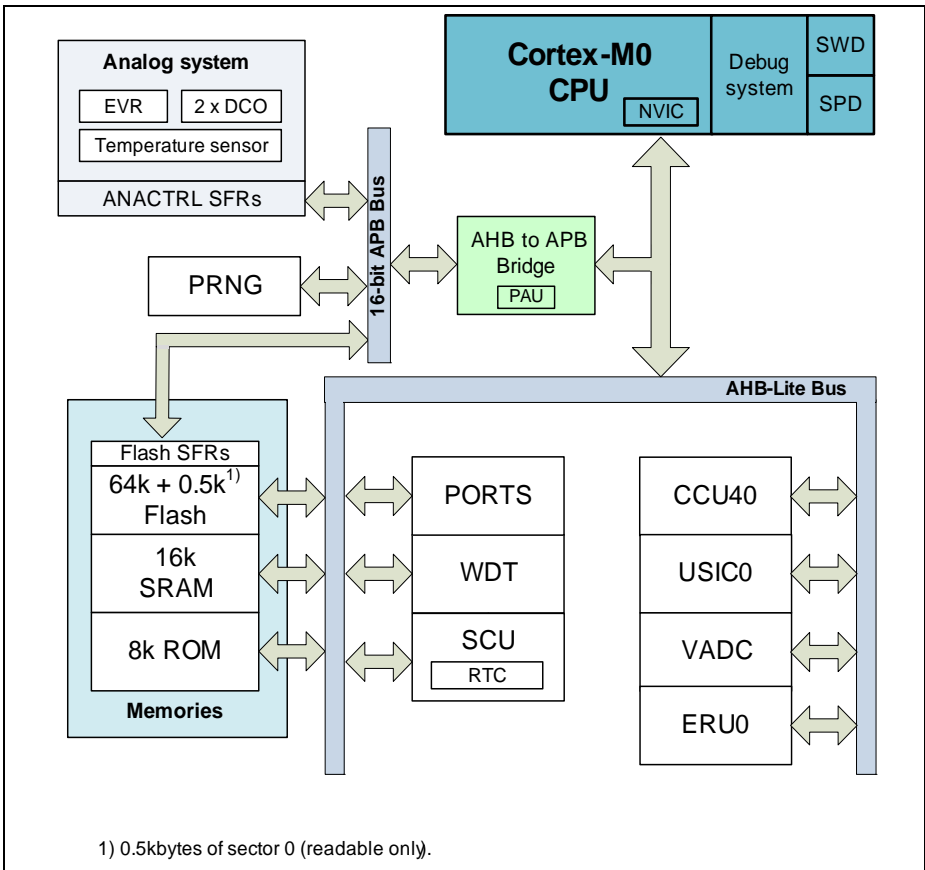
***Attention: Please consult all parts of the documentation set to attain consolidated knowledge about your device.***

Application related guidance is provided by **Users Guides** and **Application Notes**.

Please refer to <http://www.infineon.com/xmc1000> to get access to the latest versions of those documents.

# 1 Summary of Features

The XMC1100 devices are members of the XMC1000 family of microcontrollers based on the ARM Cortex-M0 processor core. The XMC1100 series devices are designed for general purpose applications.



**Figure 1 System Block Diagram**

## CPU Subsystem

- CPU Core
  - High Performance 32-bit ARM Cortex-M0 CPU
  - Most of 16-bit Thumb instruction set
  - Subset of 32-bit Thumb2 instruction set

**Summary of Features**

- High code density with 32-bit performance
- Single cycle 32-bit hardware multiplier
- System timer (SysTick) for Operating System support
- Ultra low power consumption
- Nested Vectored Interrupt Controller (NVIC)
- Event Request Unit (ERU) for programmable processing of external and internal service requests

**On-Chip Memories**

- 8 kbytes on-chip ROM
- 16 kbytes on-chip high-speed SRAM
- up to 64 kbytes on-chip Flash program and data memory

**On-Chip Peripherals**

- Two Universal Serial Interface Channels (USIC), usable as UART, double-SPI, quad-SPI, IIC, IIS and LIN interfaces
- A/D Converters, up to 12 channels, includes a 12-bit analog to digital converter
- Capture/Compare Units 4 (CCU4) for use as general purpose timers
- Window Watchdog Timer (WDT) for safety sensitive applications
- Real Time Clock module with alarm support (RTC)
- System Control Unit (SCU) for system configuration and control
- Pseudo random number generator (PRNG), provides random data with fast generation times
- Temperature Sensor (TSE)

**Input/Output Lines**

- Programmable port driver control module (PORTS)
- Individual bit addressability
- Tri-stated in input mode
- Push/pull or open drain output mode
- Configurable pad hysteresis

**On-Chip Debug Support**

- Support for debug features: 4 breakpoints, 2 watchpoints
- Various interfaces: ARM serial wire debug (SWD), single pin debug (SPD)

**1.1 Ordering Information**

The ordering code for an Infineon microcontroller provides an exact reference to a specific product. The code “XMC1<DDD>-<Z><PPP><T><FFFF>” identifies:

- <DDD> the derivatives function set

**Summary of Features**

- <Z> the package variant
  - T: TSSOP
  - Q: VQFN
- <PPP> package pin count
- <T> the temperature range:
  - F: -40°C to 85°C
  - X: -40°C to 105°C
- <FFFF> the Flash memory size.

For ordering codes for the XMC1100 please contact your sales representative or local distributor.

This document describes several derivatives of the XMC1100 series, some descriptions may not apply to a specific product. Please see [Table 1](#).

For simplicity the term **XMC1100** is used for all derivatives throughout this document.

## 1.2 Device Types

These device types are available and can be ordered through Infineon's direct and/or distribution channels.

**Table 1 Synopsis of XMC1100 Device Types**

Derivative	Package	Flash Kbytes	SRAM Kbytes
XMC1100-T016F0008	PG-TSSOP-16-8	8	16
XMC1100-T016F0016	PG-TSSOP-16-8	16	16
XMC1100-T016F0032	PG-TSSOP-16-8	32	16
XMC1100-T016F0064	PG-TSSOP-16-8	64	16
XMC1100-T016X0064	PG-TSSOP-16-8	64	16
XMC1100-T038F0016	PG-TSSOP-38-9	16	16
XMC1100-T038F0032	PG-TSSOP-38-9	32	16
XMC1100-T038F0064	PG-TSSOP-38-9	64	16
XMC1100-T038X0064	PG-TSSOP-38-9	64	16
XMC1100-Q024F0008	PG-VQFN-24-19	8	16
XMC1100-Q024F0016	PG-VQFN-24-19	16	16
XMC1100-Q024F0032	PG-VQFN-24-19	32	16
XMC1100-Q024F0064	PG-VQFN-24-19	64	16
XMC1100-Q040F0016	PG-VQFN-40-13	16	16

**Summary of Features**

**Table 1 Synopsis of XMC1100 Device Types (cont'd)**

<b>Derivative</b>	<b>Package</b>	<b>Flash Kbytes</b>	<b>SRAM Kbytes</b>
XMC1100-Q040F0032	PG-VQFN-40-13	32	16
XMC1100-Q040F0064	PG-VQFN-40-13	64	16

### 1.3 Device Type Features

The following table lists the available features per device type.

**Table 2 Features of XMC1100 Device Types<sup>1)</sup>**

<b>Derivative</b>	<b>ADC channel</b>
XMC1100-T016	6
XMC1100-T038	12
XMC1100-Q024	8
XMC1100-Q040	12

1) Features that are not included in this table are available in all the derivatives

**Table 3 ADC Channels**

<b>Package</b>	<b>VADC0 G0</b>	<b>VADC0 G1</b>
PG-TSSOP-16	CH0..CH5	–
PG-TSSOP-38	CH0..CH7	CH1, CH5 .. CH7
PG-VQFN-24	CH0..CH7	–
PG-VQFN-40	CH0..CH7	CH1, CH5 .. CH7

### 1.4 Chip Identification Number

The Chip Identification Number allows software to identify the marking. It is a 8 words value with the most significant 7 words stored in Flash configuration sector 0 (CS0) at address location : 1000 0F00<sub>H</sub> (MSB) - 1000 0F1B<sub>H</sub> (LSB). The least significant word and most significant word of the Chip Identification Number are the value of registers DBGROMID and IDCHIP, respectively.

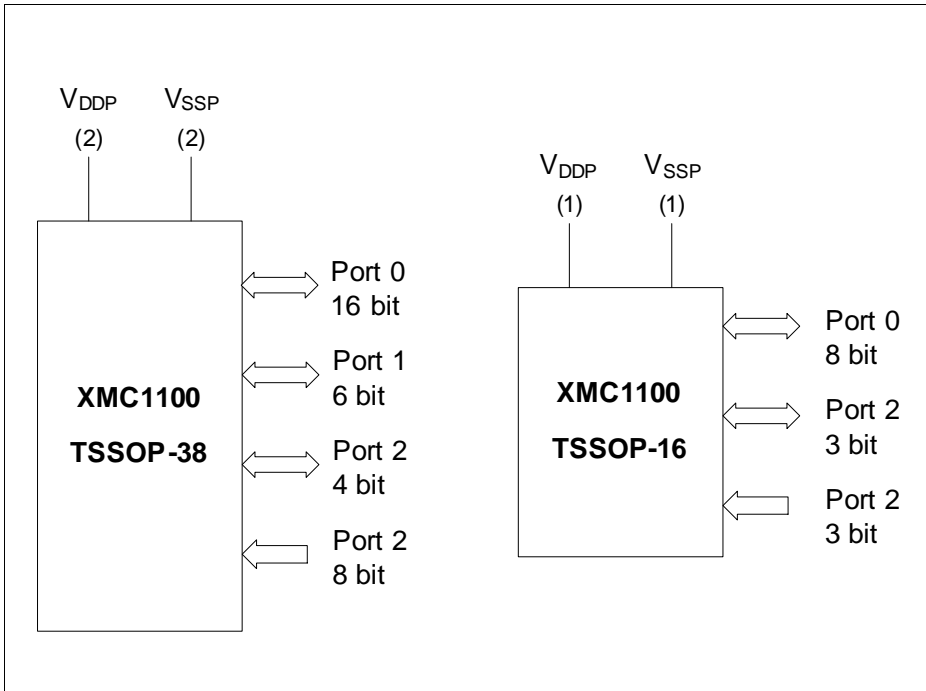
**Table 4** XMC1100 Chip Identification Number

<b>Derivative</b>	<b>Value</b>	<b>Marking</b>
XMC1100-T016F0008	00011032 01CF00FF 00001F37 00000000 00000B00 00001000 00003000 101ED083 <sub>H</sub>	AA
XMC1100-T016F0016	00011032 01CF00FF 00001F37 00000000 00000B00 00001000 00005000 101ED083 <sub>H</sub>	AA
XMC1100-T016F0032	00011032 01CF00FF 00001F37 00000000 00000B00 00001000 00009000 101ED083 <sub>H</sub>	AA
XMC1100-T016F0064	00011032 01CF00FF 00001F37 00000000 00000B00 00001000 00011000 101ED083 <sub>H</sub>	AA
XMC1100-T016X0064	00011033 01CF00FF 00001F37 00000000 00000B00 00001000 00011000 101ED083 <sub>H</sub>	AA
XMC1100-T038F0016	00011012 01CF00FF 00001F37 00000000 00000B00 00001000 00005000 101ED083 <sub>H</sub>	AA
XMC1100-T038F0032	00011012 01CF00FF 00001F37 00000000 00000B00 00001000 00009000 101ED083 <sub>H</sub>	AA
XMC1100-T038F0064	00011012 01CF00FF 00001F37 00000000 00000B00 00001000 00011000 101ED083 <sub>H</sub>	AA
XMC1100-T038X0064	00011013 01CF00FF 00001F37 00000000 00000B00 00001000 00011000 101ED083 <sub>H</sub>	AA
XMC1100-Q024F0008	00011062 01CF00FF 00001F37 00000000 00000B00 00001000 00003000 101ED083 <sub>H</sub>	AA
XMC1100-Q024F0016	00011062 01CF00FF 00001F37 00000000 00000B00 00001000 00005000 101ED083 <sub>H</sub>	AA
XMC1100-Q024F0032	00011062 01CF00FF 00001F37 00000000 00000B00 00001000 00009000 101ED083 <sub>H</sub>	AA
XMC1100-Q024F0064	00011062 01CF00FF 00001F37 00000000 00000B00 00001000 00011000 101ED083 <sub>H</sub>	AA
XMC1100-Q040F0016	00011042 01CF00FF 00001F37 00000000 00000B00 00001000 00005000 101ED083 <sub>H</sub>	AA
XMC1100-Q040F0032	00011042 01CF00FF 00001F37 00000000 00000B00 00001000 00009000 101ED083 <sub>H</sub>	AA
XMC1100-Q040F0064	00011042 01CF00FF 00001F37 00000000 00000B00 00001000 00011000 101ED083 <sub>H</sub>	AA

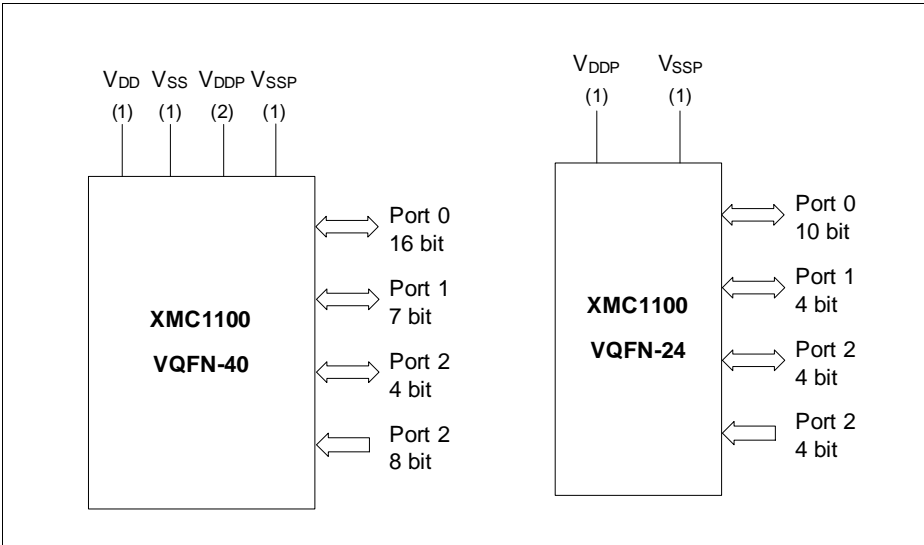
## 2 General Device Information

This section summarizes the logic symbols and package pin configurations with a detailed list of the functional I/O mapping.

### 2.1 Logic Symbols



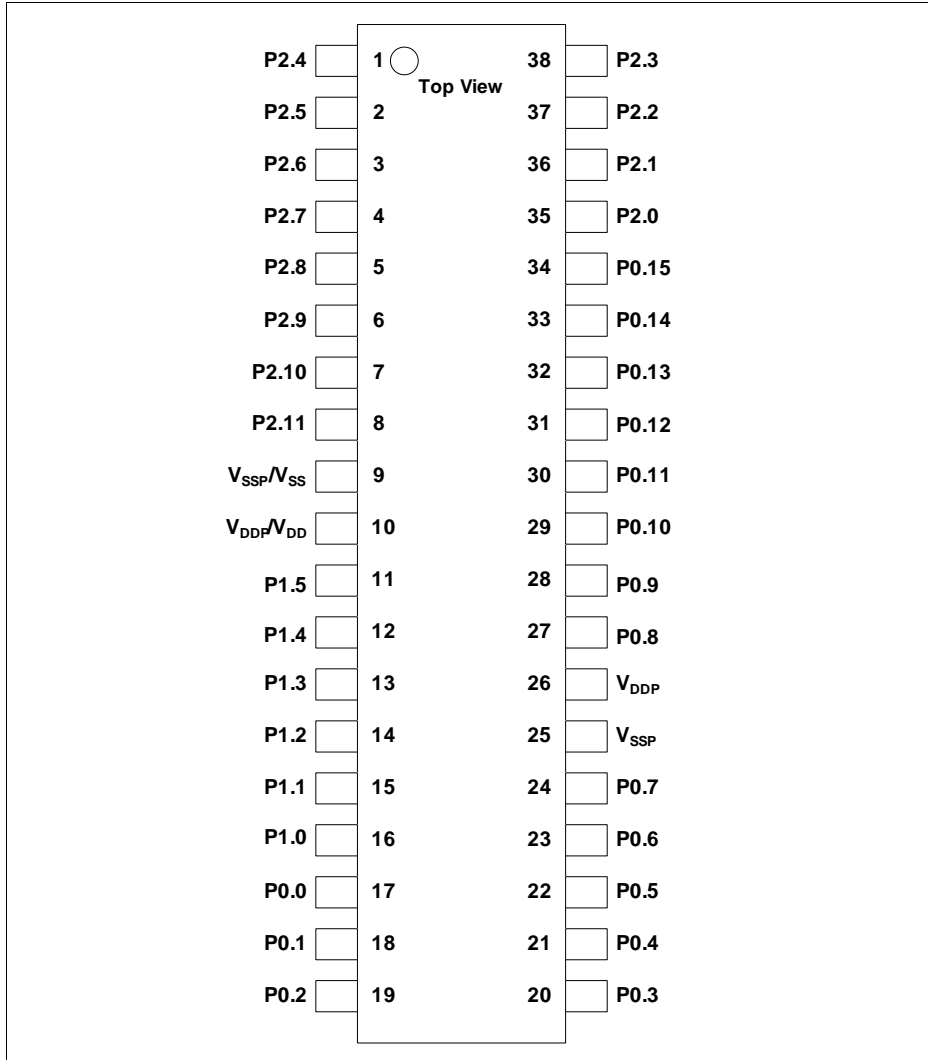
**Figure 2 XMC1100 Logic Symbol for TSSOP-38 and TSSOP-16**



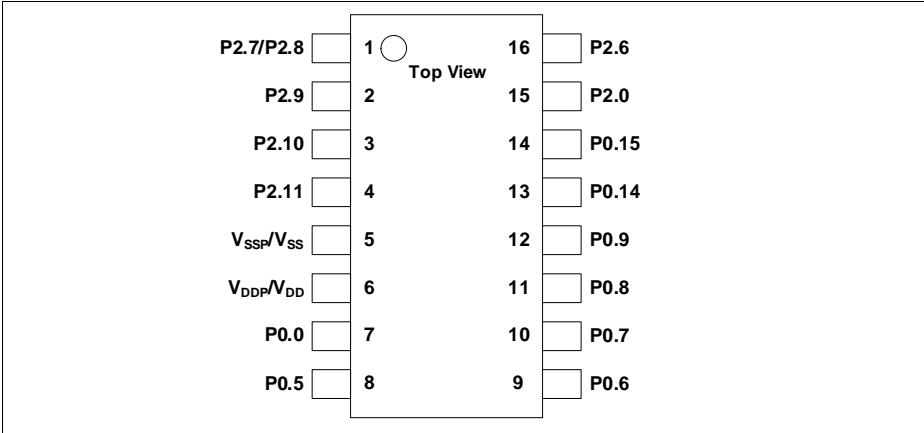
**Figure 3 XMC1100 Logic Symbol for VQFN-24 and VQFN-40**

## 2.2 Pin Configuration and Definition

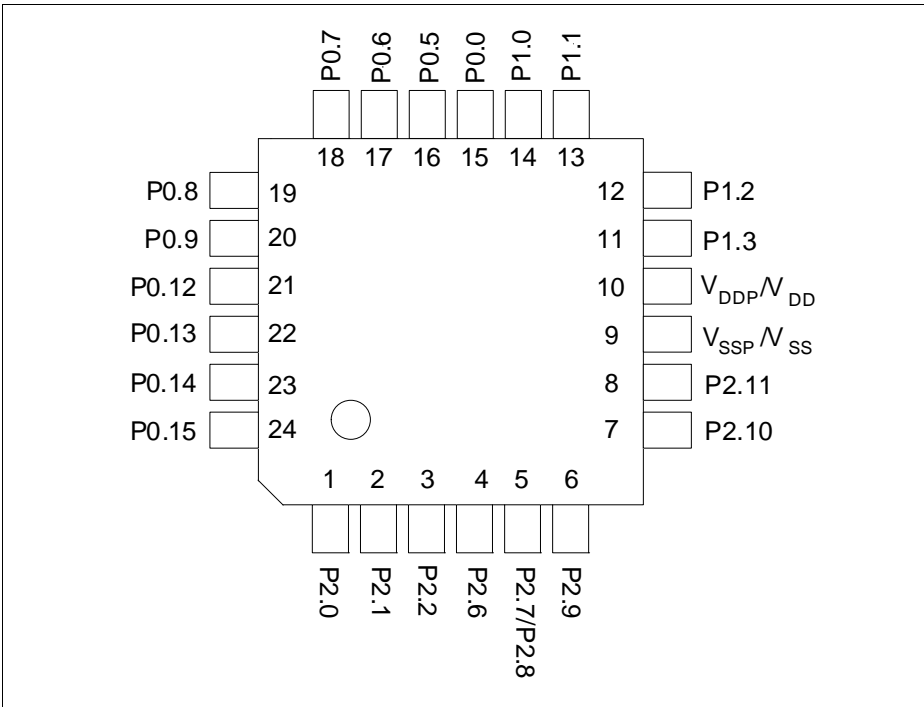
The following figures summarize all pins, showing their locations on the different packages.



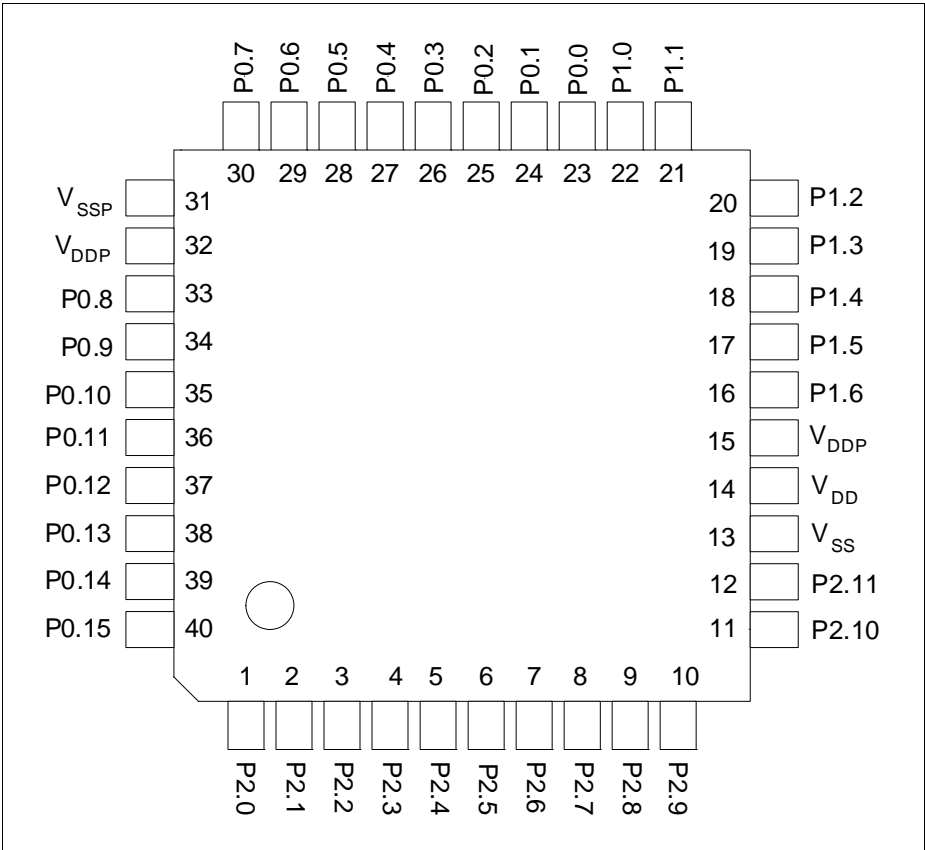
**Figure 4** XMC1100 PG-TSSOP-38 Pin Configuration (top view)



**Figure 5** XMC1100 **PG-TSSOP-16 Pin Configuration** (top view)



**Figure 6** XMC1100 **PG-VQFN-24 Pin Configuration** (top view)



**Figure 7** XMC1100 PG-VQFN-40 Pin Configuration (top view)

## 2.2.1 Package Pin Summary

The following general building block is used to describe each pin:

**Table 5 Package Pin Mapping Description**

Function	Package A	Package B	...	Pad Type
Px.y	N	N		Pad Class

The table is sorted by the “Function” column, starting with the regular Port pins (Px.y), followed by the supply pins.

The following columns, titled with the supported package variants, lists the package pin number to which the respective function is mapped in that package.

The “Pad Type” indicates the employed pad type:

- STD\_INOUT (standard bi-directional pads)
- STD\_INOUT/AN (standard bi-directional pads with analog input)
- High Current (high current bi-directional pads)
- STD\_IN/AN (standard input pads with analog input)
- Power (power supply)

Details about the pad properties are defined in the Electrical Parameters.

**Table 6 Package Pin Mapping**

Function	VQFN 40	TSSOP 38	VQFN 24	TSSOP 16	Pad Type	Notes
P0.0	23	17	15	7	STD_INOUT	
P0.1	24	18	-	-	STD_INOUT	
P0.2	25	19	-	-	STD_INOUT	
P0.3	26	20	-	-	STD_INOUT	
P0.4	27	21	-	-	STD_INOUT	
P0.5	28	22	16	8	STD_INOUT	
P0.6	29	23	17	9	STD_INOUT	
P0.7	30	24	18	10	STD_INOUT	
P0.8	33	27	19	11	STD_INOUT	
P0.9	34	28	20	12	STD_INOUT	
P0.10	35	29	-	-	STD_INOUT	
P0.11	36	30	-	-	STD_INOUT	
P0.12	37	31	21	-	STD_INOUT	

**Table 6 Package Pin Mapping**

Function	VQFN 40	TSSOP 38	VQFN 24	TSSOP 16	Pad Type	Notes
P0.13	38	32	22	-	STD_INOUT	
P0.14	39	33	23	13	STD_INOUT	
P0.15	40	34	24	14	STD_INOUT	
P1.0	22	16	14	-	High Current	
P1.1	21	15	13	-	High Current	
P1.2	20	14	12	-	High Current	
P1.3	19	13	11	-	High Current	
P1.4	18	12	-	-	High Current	
P1.5	17	11	-	-	High Current	
P1.6	16	-	-	-	STD_INOUT	
P2.0	1	35	1	15	STD_INOUT/AN	
P2.1	2	36	2	-	STD_INOUT/AN	
P2.2	3	37	3	-	STD_IN/AN	
P2.3	4	38	-	-	STD_IN/AN	
P2.4	5	1	-	-	STD_IN/AN	
P2.5	6	2	-	-	STD_IN/AN	
P2.6	7	3	4	16	STD_IN/AN	
P2.7	8	4	5	1	STD_IN/AN	
P2.8	9	5	5	1	STD_IN/AN	
P2.9	10	6	6	2	STD_IN/AN	
P2.10	11	7	7	3	STD_INOUT/AN	
P2.11	12	8	8	4	STD_INOUT/AN	
VSS	13	9	9	5	Power	Supply GND, ADC reference GND
VDD	14	10	10	6	Power	Supply VDD, ADC reference voltage/ ORC reference voltage. VDD has to be supplied with the same voltage as VDDP

**General Device Information**

**Table 6      Package Pin Mapping**

<b>Function</b>	<b>VQFN 40</b>	<b>TSSOP 38</b>	<b>VQFN 24</b>	<b>TSSOP 16</b>	<b>Pad Type</b>	<b>Notes</b>
VDDP	15	10	10	6	Power	I/O port supply
VSSP	31	25	-	-	Power	I/O port ground
VDDP	32	26	-	-	Power	I/O port supply
VSSP	Exp. Pad	-	Exp. Pad	-	Power	<b>Exposed Die Pad</b> The exposed die pad is connected internally to VSSP. For proper operation, it is mandatory to connect the exposed pad to the board ground. For thermal aspects, please refer to the Package and Reliability chapter.

### 2.2.2 Port I/O Functions

The following general building block is used to describe each PORT pin:

**Table 7 Port I/O Function Description**

Function	Outputs			Inputs		
	ALT1	ALTn	HWO0	HWI0	Input	Input
P0.0		MODA.OUT	MODB.OUT	MODB.INA	MODC.INA	
Pn.y	MODA.OUT				MODA.INA	MODC.INB

Pn.y is the port pin name, defining the control and data bits/registers associated with it. As GPIO, the port is under software control. Its input value is read via Pn\_IN.y, Pn\_OUT defines the output value.

Up to seven alternate output functions (ALT1/2/3/4/5/6/7) can be mapped to a single port pin, selected by Pn\_IOCR.PC. The output value is directly driven by the respective module, with the pin characteristics controlled by the port registers (within the limits of the connected pad).

The port pin input can be connected to multiple peripherals. Most peripherals have an input multiplexer to select between different possible input sources.

The input path is also active while the pin is configured as output. This allows to feedback an output to on-chip resources without wasting an additional external pin.

By Pn\_HWSEL, it is possible to select between different hardware “masters” (HWO0/HWI0, HWO1/HWI1). The selected peripheral can take control of the pin(s). Hardware control overrules settings in the respective port pin registers.

Table 8 Port I/O Functions

Function	Outputs										Inputs				
	ALT1	ALT2	ALT3	ALT4	ALT5	ALT6	ALT7	HW00	HW01	HW00	HW01	Input	Input	Input	Input
P0.0	ERU0_P0OUT0		ERU0_GOUT0	CCU40_OUT0	CCU40_OUT0	USIC0_CH0_SELO	USIC0_CH0_SELO					CCU40_IN0C			
P0.1	ERU0_P0OUT1		ERU0_GOUT1	CCU40_OUT1	CCU40_OUT1	USIC0_CH0_SELO	USIC0_CH0_SELO					CCU40_IN0C			
P0.2	ERU0_P0OUT2		ERU0_GOUT2	CCU40_OUT2	CCU40_OUT2	EMUX02	EMUX02					CCU40_IN0C			
P0.3	ERU0_P0OUT3		ERU0_GOUT3	CCU40_OUT3	CCU40_OUT3	EMUX01	EMUX01					CCU40_IN0C			
P0.4				CCU40_OUT1	CCU40_OUT1	EMUX00	EMUX00								
P0.5				CCU40_OUT0	CCU40_OUT0										
P0.6				CCU40_OUT0	CCU40_OUT0	USIC0_CH1_INCKOUT	USIC0_CH1_INCKOUT					CCU40_IN0B			
P0.7				CCU40_OUT1	CCU40_OUT1	USIC0_CH0_SCLKOUT	USIC0_CH0_SCLKOUT					CCU40_IN0B			
P0.8				CCU40_OUT2	CCU40_OUT2	USIC0_CH0_SCLKOUT	USIC0_CH0_SCLKOUT					CCU40_IN0B			
P0.9				CCU40_OUT3	CCU40_OUT3	USIC0_CH0_SELO	USIC0_CH0_SELO					CCU40_IN0B			
P0.10						USIC0_CH0_SELO	USIC0_CH0_SELO								
P0.11				USIC0_CH0_INCKOUT	USIC0_CH0_INCKOUT	USIC0_CH0_SELO2	USIC0_CH0_SELO2								
P0.12						USIC0_CH0_SELO3	USIC0_CH0_SELO3					CCU40_IN0A	CCU40_IN0A	CCU40_IN0A	CCU40_IN0A
P0.13	EMUX00_T					USIC0_CH0_SELO	USIC0_CH0_SELO								
P0.14						USIC0_CH0_SCLKOUT	USIC0_CH0_SCLKOUT								
P0.15						USIC0_CH0_SCLKOUT	USIC0_CH0_SCLKOUT								
P1.0		CCU40_OUT0				USIC0_CH0_SCLKOUT	USIC0_CH0_SCLKOUT								
P1.1	VAD00_EMUX00	CCU40_OUT0				USIC0_CH0_SELO	USIC0_CH0_SELO								
P1.2	VAD00_EMUX01	CCU40_OUT2				USIC0_CH0_SELO	USIC0_CH0_SELO								
P1.3	VAD00_EMUX02	CCU40_OUT3				USIC0_CH1_SCLKOUT	USIC0_CH1_SCLKOUT								
P1.4	VAD00_EMUX10	USIC0_CH1_SCLKOUT				USIC0_CH0_SELO	USIC0_CH0_SELO								
P1.5	VAD00_EMUX11	USIC0_CH0_DOUT0				USIC0_CH0_SELO	USIC0_CH0_SELO								

**Table 8 Port I/O Functions (cont'd)**

Function	Outputs										Inputs				
	ALT1	ALT2	ALT3	ALT4	ALT5	ALT6	ALT7	HWC0	HW01	HWI0	HWI1	Input	Input	In	Inputs
P1.6	VADDO. ERUATZ	USICO.CH1.D GOUT0		USICO.CH1.S GUKOUT		USICO.CH0.S FELOZ	USICO.CH1.S FELOZ							USICO.CH0.D RSP	E
P2.0	ERU0. PROOUT3	CCU00.OUTPUT0 GOUT3	ERU0. GOUT3			USICO.CH0. DOUT0	USICO.CH0. SGLKOUT							VADDO. GICH6	E
P2.1	ERU0. PROOUT2	CCU00.OUTPUT0 GOUT2	ERU0. GOUT2			USICO.CH0. DOUT0	USICO.CH1. SGLKOUT							VADDO. GICH6	E
P2.2														VADDO. GACH7	E
P2.3														VADDO. GICH6	E
P2.4														VADDO. GICH6	E
P2.5														VADDO. GICH7	E
P2.6														VADDO. GACH8	E
P2.7														VADDO. GICH1	E
P2.8														VADDO. GICH1	E
P2.9														VADDO. GACH2	E
P2.10	ERU0. PROOUT1	CCU00.OUTPUT2 GOUT1	ERU0. GOUT1				USICO.CH1. DOUT0							VADDO. GACH8	E
P2.11	ERU0. PROOUT0	CCU00.OUTPUT0 GOUT0	ERU0. GOUT0			USICO.CH1. ISCLKOUT	USICO.CH1. DOUT0							VADDO. GICH4	E

### **3 Electrical Parameter**

This section provides the electrical parameter which are implementation-specific for the XMC1100.

#### **3.1 General Parameters**

##### **3.1.1 Parameter Interpretation**

The parameters listed in this section represent partly the characteristics of the XMC1100 and partly its requirements on the system. To aid interpreting the parameters easily when evaluating them for a design, they are indicated by the abbreviations in the "Symbol" column:

- **CC**  
Such parameters indicate **C**ontroller **C**haracteristics, which are distinctive feature of the XMC1100 and must be regarded for a system design.
- **SR**  
Such parameters indicate **S**ystem **R**equirements, which must be provided by the application system in which the XMC1100 is designed in.

### 3.1.2 Absolute Maximum Ratings

Stresses above the values listed under “Absolute Maximum Ratings” may cause permanent damage to the device. This is a stress rating only and functional operation of the device at these or any other conditions above those indicated in the operational sections of this specification is not implied. Exposure to absolute maximum rating conditions may affect device reliability.

**Table 9 Absolute Maximum Rating Parameters**

Parameter	Symbol	Values			Unit	Note / Test Condition
		Min.	Typ.	Max.		
Junction temperature	$T_J$ SR	-40	–	115	°C	–
Storage temperature	$T_S$ SR	-40	–	125	°C	–
Voltage on power supply pin with respect to $V_{SSP}$	$V_{DDP}$ SR	-0.3	–	6	V	–
Voltage on any pin with respect to $V_{SSP}$	$V_{IN}$ SR	-0.5	–	$V_{DDP} + 0.5$ or max. 6	V	whichever is lower
Voltage on any analog input pin with respect to $V_{SSP}$	$V_{AIN}$ $V_{AREF}$ SR	-0.5	–	$V_{DDP} + 0.5$ or max. 6	V	–
Input current on any pin during overload condition	$I_{IN}$ SR	-10	–	10	mA	–
Absolute sum of all input currents during overload condition	$\Sigma I_{IN} $ SR	–	–	50	mA	–
Analog comparator input voltage	$V_{CM}$ SR	-0.3	–	$V_{DDP} + 0.3$	V	–

### 3.1.3 Operating Conditions

The following operating conditions must not be exceeded in order to ensure correct operation and reliability of the XMC1100. All parameters specified in the following tables refer to these operating conditions, unless noted otherwise.

**Table 10 Operating Conditions Parameters**

Parameter	Symbol	Values			Unit	Note / Test Condition
		Min.	Typ.	Max.		
Ambient Temperature	$T_A$ SR	-40	–	85	°C	Temp. Range F
		-40	–	105	°C	Temp. Range X
Digital supply voltage <sup>1)</sup>	$V_{DDP}$ SR	1.8	–	5.5	V	
MCLK Frequency	$f_{MCLK}$ CC	–	–	33.2	MHz	CPU clock
PCLK Frequency	$f_{PCLK}$ CC	–	–	66.4	MHz	Peripherals clock

1) See also the Supply Monitoring thresholds, [Chapter 3.3.3](#).

### 3.2 DC Parameters

#### 3.2.1 Input/Output Characteristics

**Table 11** provides the characteristics of the input/output pins of the XMC1100.

**Table 11 Input/Output Characteristics (Operating Conditions apply)**

Parameter	Symbol		Limit Values		Unit	Test Conditions
			Min.	Max.		
Output low voltage on port pins (with standard pads)	$V_{OLP}$	CC	–	1.0	V	$I_{OL} = 11 \text{ mA (5 V)}$ $I_{OL} = 7 \text{ mA (3.3 V)}$
			–	0.4	V	$I_{OL} = 5 \text{ mA (5 V)}$ $I_{OL} = 3.5 \text{ mA (3.3 V)}$
Output low voltage on high current pads	$V_{OLP1}$	CC	–	1.0	V	$I_{OL} = 50 \text{ mA (5 V)}$ $I_{OL} = 25 \text{ mA (3.3 V)}$
			–	0.32	V	$I_{OL} = 10 \text{ mA (5 V)}$
			–	0.4	V	$I_{OL} = 5 \text{ mA (3.3 V)}$
Output high voltage on port pins (with standard pads)	$V_{OHP}$	CC	$V_{DDP} - 1.0$	–	V	$I_{OH} = -10 \text{ mA (5 V)}$ $I_{OH} = -7 \text{ mA (3.3 V)}$
			$V_{DDP} - 0.4$	–	V	$I_{OH} = -4.5 \text{ mA (5 V)}$ $I_{OH} = -2.5 \text{ mA (3.3 V)}$
Output high voltage on high current pads	$V_{OHP1}$	CC	$V_{DDP} - 0.32$	–	V	$I_{OH} = -6 \text{ mA (5 V)}$
			$V_{DDP} - 1.0$	–	V	$I_{OH} = -8 \text{ mA (3.3 V)}$
			$V_{DDP} - 0.4$	–	V	$I_{OH} = -4 \text{ mA (3.3 V)}$
Input low voltage on port pins (Standard Hysteresis)	$V_{ILPS}$	SR	–	$0.19 \times V_{DDP}$	V	CMOS Mode (5 V, 3.3 V & 2.2 V)
Input high voltage on port pins (Standard Hysteresis)	$V_{IHPS}$	SR	$0.7 \times V_{DDP}$	–	V	CMOS Mode (5 V, 3.3 V & 2.2 V)
Input low voltage on port pins (Large Hysteresis)	$V_{ILPL}$	SR	–	$0.08 \times V_{DDP}$	V	CMOS Mode (5 V, 3.3 V & 2.2 V) <sup>3)</sup>

**Electrical Parameter**
**Table 11 Input/Output Characteristics (Operating Conditions apply) (cont'd)**

Parameter	Symbol		Limit Values		Unit	Test Conditions
			Min.	Max.		
Input high voltage on port pins (Large Hysteresis)	$V_{IHPL}$	SR	$0.85 \times V_{DDP}$	–	V	CMOS Mode (5 V, 3.3 V & 2.2 V) <sup>3)</sup>
Input Hysteresis <sup>1)</sup>	<i>HYS</i>	CC	$0.08 \times V_{DDP}$	–	V	CMOS Mode (5 V), Standard Hysteresis
			$0.03 \times V_{DDP}$	–	V	CMOS Mode (3.3 V), Standard Hysteresis
			$0.02 \times V_{DDP}$	–	V	CMOS Mode (2.2 V), Standard Hysteresis
			$0.5 \times V_{DDP}$	$0.75 \times V_{DDP}$	V	CMOS Mode(5 V), Large Hysteresis
			$0.4 \times V_{DDP}$	$0.75 \times V_{DDP}$	V	CMOS Mode(3.3 V), Large Hysteresis
			$0.2 \times V_{DDP}$	$0.65 \times V_{DDP}$	V	CMOS Mode(2.2 V), Large Hysteresis
Pull-up resistor on port pins	$R_{PUP}$	CC	20	50	kohm	$V_{IN} = V_{SSP}$
Pull-down resistor on port pins	$R_{PDP}$	CC	20	50	kohm	$V_{IN} = V_{DDP}$
Input leakage current <sup>2)</sup>	$I_{OZP}$	CC	-1	1	μA	$0 < V_{IN} < V_{DDP}$ , $T_A \leq 105 \text{ °C}$
Overload current on any pin	$I_{OVP}$	SR	-5	5	mA	
Absolute sum of overload currents	$\Sigma  I_{OVP} $	SR	–	25	mA	<sup>3)</sup>
Voltage on any pin during $V_{DDP}$ power off	$V_{PO}$	SR	–	0.3	V	<sup>4)</sup>
Maximum current per pin (excluding P1, $V_{DDP}$ and $V_{SS}$ )	$I_{MP}$	SR	-10	11	mA	–
Maximum current per high current pins	$I_{MP1A}$	SR	-10	50	mA	–

**Table 11 Input/Output Characteristics (Operating Conditions apply) (cont'd)**

Parameter	Symbol		Limit Values		Unit	Test Conditions
			Min.	Max.		
Maximum current into $V_{DDP}$ (TSSOP28/16, VQFN24)	$I_{MVDD1}$	SR	–	130	mA	<sup>3)</sup>
Maximum current into $V_{DDP}$ (TSSOP38, VQFN40)	$I_{MVDD2}$	SR	–	260	mA	<sup>3)</sup>
Maximum current out of $V_{SS}$ (TSSOP28/16, VQFN24)	$I_{MVSS1}$	SR	–	130	mA	<sup>3)</sup>
Maximum current out of $V_{SS}$ (TSSOP38, VQFN40)	$I_{MVSS2}$	SR	–	260	mA	<sup>3)</sup>

- 1) Not subject to production test, verified by design/characterization. Hysteresis is implemented to avoid meta stable states and switching due to internal ground bounce. It cannot be guaranteed that it suppresses switching due to external system noise.
- 2) An additional error current ( $I_{INL}$ ) will flow if an overload current flows through an adjacent pin.
- 3) Not subject to production test, verified by design/characterization.
- 4) Not subject to production test, verified by design/characterization. However, for applications with strict low power-down current requirements, it is mandatory that no active voltage source is supplied at any GPIO pin when  $V_{DDP}$  is powered off.

### 3.2.2 Analog to Digital Converters (ADC)

**Table 12** shows the Analog to Digital Converter (ADC) characteristics.

**Table 12 ADC Characteristics (Operating Conditions apply)**

Parameter	Symbol	Values			Unit	Note / Test Condition
		Min.	Typ.	Max.		
Supply voltage range (internal reference)	$V_{DD\_int}$ SR	1.8	–	3.0	V	SHSCFG.AREF = 11 <sub>B</sub>
		3.0	–	5.5	V	SHSCFG.AREF = 10 <sub>B</sub>
Supply voltage range (external reference)	$V_{DD\_ext}$ SR	3.0	–	5.5	V	SHSCFG.AREF = 00 <sub>B</sub>
Analog input voltage range	$V_{AIN}$ SR	$V_{SSP} - 0.05$	–	$V_{DDP} + 0.05$	V	
Auxiliary analog reference ground (SH0-CH0, SH1-CH0)	$V_{REFGND}$ SR	$V_{SSP} - 0.05$	–	$V_{DDP} + 0.05$	V	
Internal reference voltage (full scale value)	$V_{REFINT}$ CC	4.82	5	5.18	V	-40°C - 105°C
		4.9	5	5.1	V	0°C - 85°C <sup>1)</sup>
Switched capacitance of an analog input <sup>1)</sup>	$C_{AINS}$ CC	–	1.2	2	pF	GNCTR <sub>xz</sub> .GAIN <sub>y</sub> = 00 <sub>B</sub> (unity gain)
		–	1.2	2	pF	GNCTR <sub>xz</sub> .GAIN <sub>y</sub> = 01 <sub>B</sub> (gain g1)
		–	4.5	6	pF	GNCTR <sub>xz</sub> .GAIN <sub>y</sub> = 10 <sub>B</sub> (gain g2)
		–	4.5	6	pF	GNCTR <sub>xz</sub> .GAIN <sub>y</sub> = 11 <sub>B</sub> (gain g3)
Total capacitance of an analog input	$C_{AINT}$ CC	–	–	10	pF	<sup>1)</sup>
Total capacitance of the reference input	$C_{AREFT}$ CC	–	–	10	pF	<sup>1)</sup>

**Electrical Parameter**
**Table 12 ADC Characteristics (Operating Conditions apply) (cont'd)**

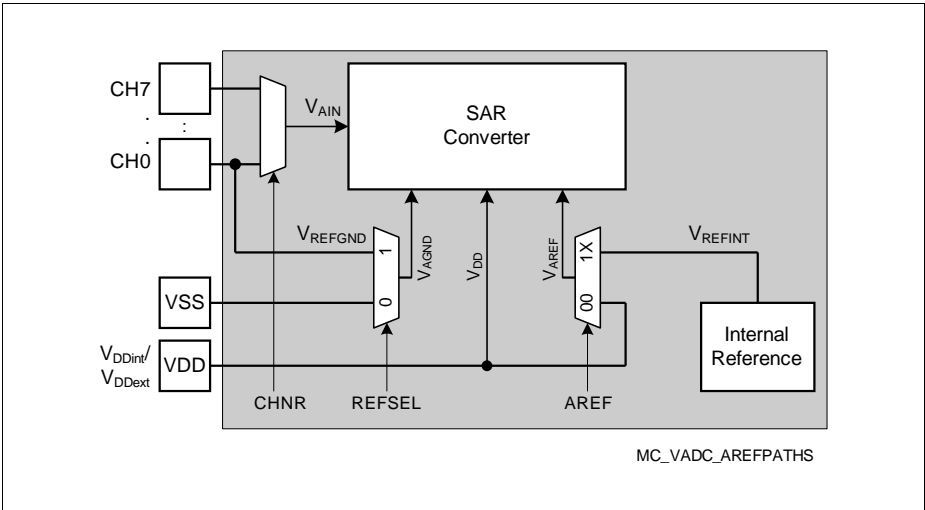
Parameter	Symbol	Values			Unit	Note / Test Condition
		Min.	Typ.	Max.		
Gain settings	$G_{IN}$ CC	1			–	GNCTR <sub>xz</sub> .GAIN <sub>y</sub> = 00 <sub>B</sub> (unity gain)
		3			–	GNCTR <sub>xz</sub> .GAIN <sub>y</sub> = 01 <sub>B</sub> (gain g1)
		6			–	GNCTR <sub>xz</sub> .GAIN <sub>y</sub> = 10 <sub>B</sub> (gain g2)
		12			–	GNCTR <sub>xz</sub> .GAIN <sub>y</sub> = 11 <sub>B</sub> (gain g3)
Sample Time	$t_{sample}$ CC	3	–	–	1 / $f_{ADC}$	$V_{DDP} = 5.0$ V
		3	–	–	1 / $f_{ADC}$	$V_{DDP} = 3.3$ V
		30	–	–	1 / $f_{ADC}$	$V_{DDP} = 1.8$ V
Sigma delta loop hold time	$t_{SD\_hold}$ CC	20	–	–	µs	Residual charge stored in an active sigma delta loop remains available
Conversion time in fast compare mode	$t_{CF}$ CC	9			1 / $f_{ADC}$	<sup>2)</sup>
Conversion time in 12-bit mode	$t_{C12}$ CC	20			1 / $f_{ADC}$	<sup>2)</sup>
Maximum sample rate in 12-bit mode <sup>3)</sup>	$f_{C12}$ CC	–	–	$f_{ADC} / 42.5$	–	1 sample pending
		–	–	$f_{ADC} / 62.5$	–	2 samples pending
Conversion time in 10-bit mode	$t_{C10}$ CC	18			1 / $f_{ADC}$	<sup>2)</sup>
Maximum sample rate in 10-bit mode <sup>3)</sup>	$f_{C10}$ CC	–	–	$f_{ADC} / 40.5$	–	1 sample pending
		–	–	$f_{ADC} / 58.5$	–	2 samples pending
Conversion time in 8-bit mode	$t_{C8}$ CC	16			1 / $f_{ADC}$	<sup>2)</sup>

**Electrical Parameter**

**Table 12 ADC Characteristics (Operating Conditions apply) (cont'd)**

Parameter	Symbol	Values			Unit	Note / Test Condition
		Min.	Typ.	Max.		
Maximum sample rate in 8-bit mode <sup>3)</sup>	$f_{\text{C8}}$ CC	–	–	$f_{\text{ADC}} / 38.5$	–	1 sample pending
		–	–	$f_{\text{ADC}} / 54.5$	–	2 samples pending
DNL error	$EA_{\text{DNL}}$ CC	–	±2.0	–	LSB 12	
INL error	$EA_{\text{INL}}$ CC	–	±4.0	–	LSB 12	
Gain error with external reference	$EA_{\text{GAIN}}$ CC	–	±0.5	–	%	SHSCFG.AREF = 00 <sub>B</sub> (calibrated)
Gain error with internal reference	$EA_{\text{GAIN}}$ CC	–	±3.6	–	%	SHSCFG.AREF = 1X <sub>B</sub> (calibrated), -40°C - 105°C
		–	±2.0	–	%	SHSCFG.AREF = 1X <sub>B</sub> (calibrated), 0°C - 85°C
Offset error	$EA_{\text{OFF}}$ CC	–	±6.0	–	LSB 12	Calibrated

- 1) Not subject to production test, verified by design/characterization.
- 2) No pending samples assumed, excluding sampling time and calibration.
- 3) Includes synchronization and calibration (average of gain and offset calibration).



**Figure 8 ADC Voltage Supply**

### 3.2.3 Temperature Sensor Characteristics

**Table 13 Temperature Sensor Characteristics<sup>1)</sup>**

Parameter	Symbol	Values			Unit	Note / Test Condition
		Min.	Typ.	Max.		
Measurement time	$t_M$ CC	–	–	10	ms	
Temperature sensor range	$T_{SR}$ SR	-40	–	115	°C	
Sensor Accuracy <sup>2)</sup>	$T_{TSAL}$ CC	–	+/-20	–	°C	$T_J = -40\text{ °C}$ (calibrated)
		–	+/-12	–	°C	$T_J = -25\text{ °C}$ (calibrated)
		-5	–	5	°C	$T_J = 0\text{ °C}$
		-2	–	2	°C	$T_J = 25\text{ °C}$ (calibrated)
		-4	–	4	°C	$T_J = 70\text{ °C}$
		-2	–	2	°C	$T_J = 115\text{ °C}$ (calibrated)

1) Not subject to production test, verified by design/characterization.

2) The temperature sensor accuracy is independent of the supply voltage.

### 3.2.4 Power Supply Current

The total power supply current defined below consists of a leakage and a switching component.

Application relevant values are typically lower than those given in the following tables, and depend on the customer's system operating conditions (e.g. thermal connection or used application configurations).

**Table 14 Power Supply Parameters<sup>1)</sup>**

Parameter	Symbol	Values			Unit	Note / Test Condition
		Min.	Typ. <sup>2)</sup>	Max.		
Active mode current <sup>3)</sup>	$I_{DDPA}$ CC	–	8.4	11.0	mA	$f_{MCLK} = 32$ MHz $f_{PCLK} = 64$ MHz
		–	3.7	–	mA	$f_{MCLK} = 1$ MHz $f_{PCLK} = 1$ MHz
Sleep mode current Peripherals clock enabled <sup>4)</sup>	$I_{DDPSE}$ CC	–	5.9	–	mA	$f_{MCLK} = 32$ MHz $f_{PCLK} = 64$ MHz
Sleep mode current Peripherals clock disabled <sup>5)</sup>	$I_{DDPSD}$ CC	–	1.2	–	mA	$f_{MCLK} = 1$ MHz $f_{PCLK} = 1$ MHz
Deep Sleep mode current <sup>6)</sup>	$I_{DDPDS}$ CC	–	0.24	–	mA	
Wake-up time from Sleep to Active mode <sup>7)</sup>	$t_{SSA}$ CC	–	6	–	cycles	
Wake-up time from Deep Sleep to Active mode <sup>8)</sup>	$t_{DSA}$ CC	–	280	–	μsec	

1) Not all parameters are 100% tested, but are verified by design/characterisation and test correlation.

2) The typical values are measured at  $T_A = +25$  °C and  $V_{DDP} = 5$  V.

3) CPU and all peripherals clock enabled, Flash is in active mode.

4) CPU is sleep, all peripherals clock enabled and Flash is in active mode.

5) CPU is sleep, Flash is powered down and code executed from RAM after wake-up.

6) CPU is sleep, peripherals clock disabled, Flash is powered down and code executed from RAM after wake-up.

7) CPU is sleep, Flash is in active mode during sleep mode.

8) CPU is sleep, Flash is in power down mode during deep sleep mode.

**Table 15** provides the active current consumption of some modules operating at 5 V power supply at 25 °C. The typical values shown are used as a reference guide on the current consumption when these modules are enabled.

**Table 15 Typical Active Current Consumption<sup>1)</sup>**

Active Current Consumption	Symbol	Limit Values	Unit	Test Condition
		Typ.		
Baseload current	$I_{\text{CPUDDC}}$	5.04	mA	Modules including Core, SCU, PORT, memories, ANATOP <sup>2)</sup>
VADC and SHS	$I_{\text{ADCDCC}}$	3.4	mA	Set CGATCLR0.VADC to 1 <sup>3)</sup>
USIC0	$I_{\text{USIC0DDC}}$	0.87	mA	Set CGATCLR0.USIC0 to 1 <sup>4)</sup>
CCU40	$I_{\text{CCU40DDC}}$	0.94	mA	Set CGATCLR0.CCU40 to 1 <sup>5)</sup>
WDT	$I_{\text{WDTDDC}}$	0.03	mA	Set CGATCLR0.WDT to 1 <sup>6)</sup>
RTC	$I_{\text{RTCDCC}}$	0.01	mA	Set CGATCLR0.RTC to 1 <sup>7)</sup>

- 1) Not subject to production test, verified by design/characterisation.
- 2) Baseload current is measured with device running in user mode, MCLK=PCLK=32 MHz, with an endless loop in the flash memory. The clock to the modules stated in CGATSTAT0 are gated.
- 3) Active current is measured with: module enabled, MCLK=32 MHz, running in auto-scan conversion mode
- 4) Active current is measured with: module enabled, alternating messages sent to PC at 57.6kbaud every 200ms
- 5) Active current is measured with: module enabled, MCLK=PCLK=32 MHz, 1 CCU4 slice for PWM switching from 1500Hz and 1000Hz at regular intervals, 1 CCU4 slice in capture mode for reading period and duty cycle
- 6) Active current is measured with: module enabled, MCLK=32 MHz, time-out mode; WLB = 0, WUB = 0x00008000; WDT serviced every 1s
- 7) Active current is measured with: module enabled, MCLK=32 MHz, Periodic interrupt enabled

### 3.2.5 Flash Memory Parameters

Note: These parameters are not subject to production test, but verified by design and/or characterization.

**Table 16 Flash Memory Parameters**

Parameter	Symbol	Values			Unit	Note / Test Condition
		Min.	Typ.	Max.		
Erase Time per page	$t_{ERASE}$ CC	6.8	7.1	7.6	ms	
Program time per block	$t_{PSE}$ CC	102	152	204	$\mu$ s	
Wake-Up time	$t_{WU}$ CC	–	32.2	–	$\mu$ s	
Read time per word	$t_a$ CC	–	50	–	ns	
Data Retention Time	$t_{RET}$ CC	10	–	–	years	Max. 100 erase / program cycles
Flash Wait States <sup>1)</sup>	$N_{WSFLASH}$ CC	0	0.5	–		$f_{MCLK} = 8$ MHz
		0	1.4	–		$f_{MCLK} = 16$ MHz
		1	1.9	–		$f_{MCLK} = 32$ MHz
Erase Cycles per page	$N_{ECYC}$ CC	–	–	$5 \cdot 10^4$	cycles	
Total Erase Cycles	$N_{TECYC}$ CC	–	–	$2 \cdot 10^6$	cycles	

1) Flash wait states are automatically inserted by the Flash module during memory read when needed. Typical values are calculated from the execution of the Dhrystone benchmark program.

### 3.3 AC Parameters

#### 3.3.1 Testing Waveforms

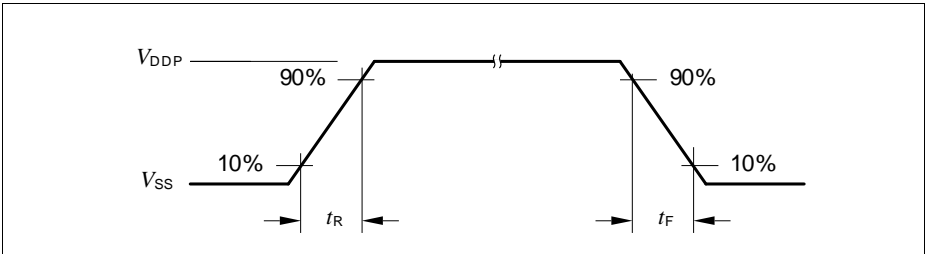


Figure 9 Rise/Fall Time Parameters

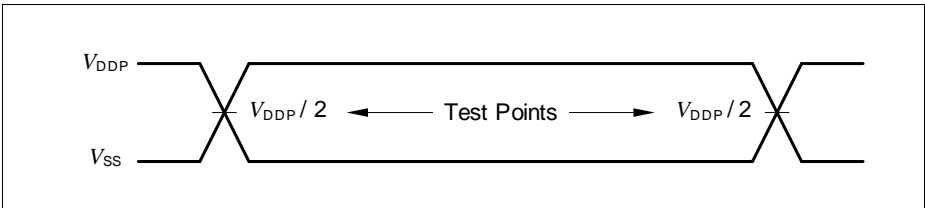


Figure 10 Testing Waveform, Output Delay

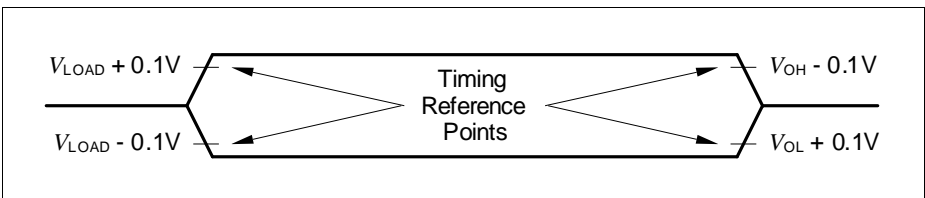


Figure 11 Testing Waveform, Output High Impedance

### 3.3.2 Output Rise/Fall Times

**Table 17** provides the characteristics of the output rise/fall times in the XMC1100. **Figure 9** describes the rise time and fall time parameters.

**Table 17 Output Rise/Fall Times Parameters (Operating Conditions apply)**

Parameter	Symbol	Limit Values		Unit	Test Conditions
		Min.	Max.		
Rise/fall times on High Current Pad <sup>1)2)</sup>	$t_{HCPR}$ , $t_{HCPF}$	–	9	ns	50 pF @ 5 V <sup>3)</sup>
		–	12	ns	50 pF @ 3.3 V <sup>4)</sup>
		–	25	ns	50 pF @ 1.8 V <sup>5)</sup>
Rise/fall times on Standard Pad <sup>1)2)</sup>	$t_R$ , $t_F$	–	12	ns	50 pF @ 5 V <sup>6)</sup>
		–	15	ns	50 pF @ 3.3 V <sup>7)</sup>
		–	31	ns	50 pF @ 1.8 V <sup>8)</sup>

1) Rise/Fall time parameters are taken with 10% - 90% of supply.

2) Not all parameters are 100% tested, but are verified by design/characterisation and test correlation.

3) Additional rise/fall time valid for  $C_L = 50$  pF -  $C_L = 100$  pF @ 0.150 ns/pF at 5 V supply voltage.

4) Additional rise/fall time valid for  $C_L = 50$  pF -  $C_L = 100$  pF @ 0.205 ns/pF at 3.3 V supply voltage.

5) Additional rise/fall time valid for  $C_L = 50$  pF -  $C_L = 100$  pF @ 0.445 ns/pF at 1.8 V supply voltage.

6) Additional rise/fall time valid for  $C_L = 50$  pF -  $C_L = 100$  pF @ 0.225 ns/pF at 5 V supply voltage.

7) Additional rise/fall time valid for  $C_L = 50$  pF -  $C_L = 100$  pF @ 0.288 ns/pF at 3.3 V supply voltage.

8) Additional rise/fall time valid for  $C_L = 50$  pF -  $C_L = 100$  pF @ 0.588 ns/pF at 1.8 V supply voltage.

### 3.3.3 Power-Up and Supply Threshold Characteristics

**Table 18** provides the characteristics of the supply threshold in XMC1100.

**Table 18 Power-Up and Supply Threshold Parameters (Operating Conditions apply) <sup>1)</sup>**

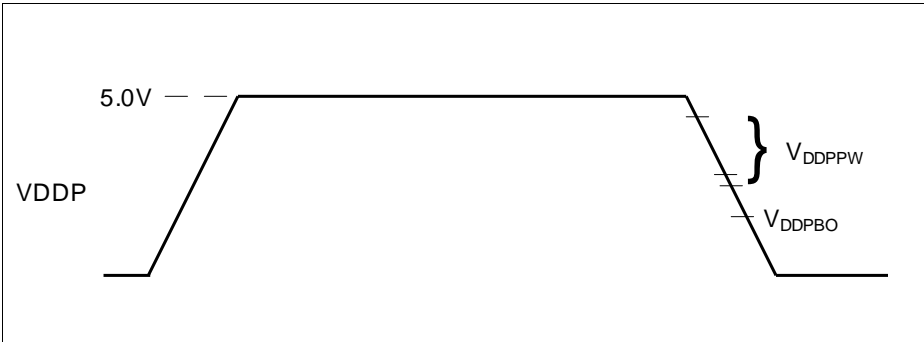
Parameter	Symbol	Values			Unit	Note / Test Condition
		Min.	Typ.	Max.		
$V_{DDP}$ ramp-up time	$t_{RAMPUP}$ SR	$V_{DDP}/S_{VDDPrise}$	–	$10^7$	$\mu s$	
$V_{DDP}$ slew rate	$S_{VDDPOP}$ SR	0	–	0.1	$V/\mu s$	Slope during normal operation
	$S_{VDDP10}$ SR	0	–	10	$V/\mu s$	Slope during fast transient within +/- 10% of $V_{DDP}$
	$S_{VDDPrise}$ SR	0	–	10	$V/\mu s$	Slope during power-on or restart after brownout event
	$S_{VDDPfall}^{2)}$ SR	0	–	0.25	$V/\mu s$	Slope during supply falling out of the +/-10% limits <sup>3)</sup>
$V_{DDP}$ prewarning voltage	$V_{DDPPW}$ CC	2.1	2.25	2.4	V	ANAVDEL.VDEL_SELECT = 00 <sub>B</sub>
		2.85	3	3.15	V	ANAVDEL.VDEL_SELECT = 01 <sub>B</sub>
		4.2	4.4	4.6	V	ANAVDEL.VDEL_SELECT = 10 <sub>B</sub>
$V_{DDP}$ brownout reset voltage	$V_{DDPBO}$ CC	1.55	1.62	1.75	V	calibrated, before user code starts running
Start-up time from power-on reset	$t_{SSW}$ SR	–	320	–	$\mu s$	Time to the first user code instruction <sup>4)</sup>

1) Not all parameters are 100% tested, but are verified by design/characterisation.

2) A capacitor of at least 100 nF has to be added between  $V_{DDP}$  and  $V_{SSP}$  to fulfill the requirement as stated for this parameter.

**Electrical Parameter**

- 3) Valid for a 100 nF buffer capacitor connected to supply pin where current from capacitor is forwarded only to the chip. A larger capacitor value has to be chosen if the power source sink a current.
- 4) This values does not include the ramp-up time. During startup firmware execution, MCLK is running at 32 MHz and the clocks to peripheral as specified in register CGATSTAT0 are gated.



**Figure 12 Supply Threshold Parameters**

### 3.3.4 On-Chip Oscillator Characteristics

**Table 19** provides the characteristics of the 64 MHz clock output from the digital controlled oscillator, DCO1 in XMC1100.

**Table 19 64 MHz DCO1 Characteristics (Operating Conditions apply)**

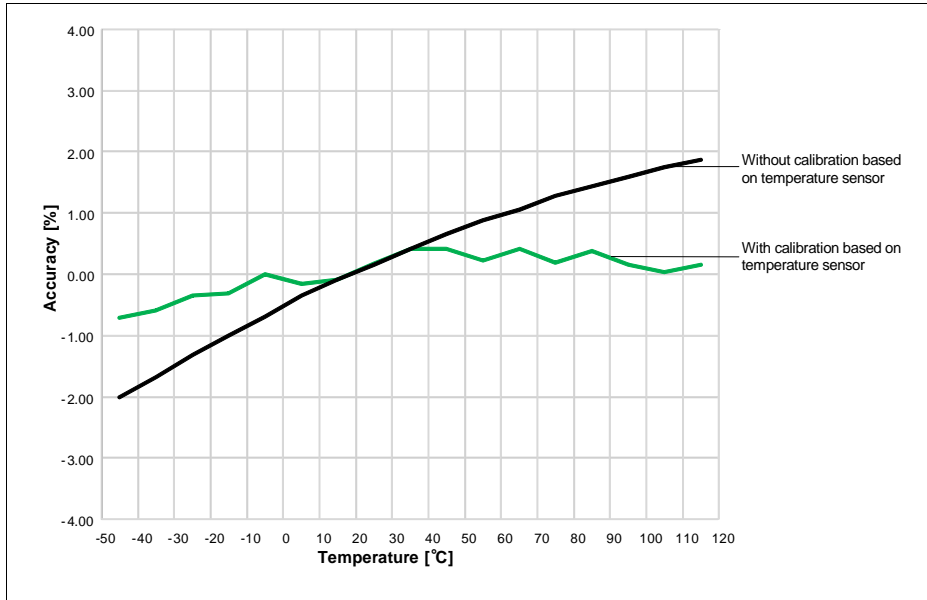
Parameter	Symbol		Limit Values			Unit	Test Conditions
			Min.	Typ.	Max.		
Nominal frequency	$f_{\text{NOM}}$	CC	63.5	64	64.5	MHz	under nominal conditions <sup>1)</sup> after trimming
Accuracy	$\Delta f_{\text{LT}}$	CC	-1.7	–	3.4	%	with respect to $f_{\text{NOM}}(\text{typ})$ , over temperature (0 °C to 85 °C) <sup>2)</sup>
			-3.9	–	4.0	%	with respect to $f_{\text{NOM}}(\text{typ})$ , over temperature (-40 °C to 105 °C) <sup>2)</sup>
Accuracy with calibration based on temperature sensor	$\Delta f_{\text{LTT}}$	CC	-1.3	–	1.25	%	with respect to $f_{\text{NOM}}(\text{typ})$ , over temperature ( $T_{\text{A}} = 0 \text{ °C}$ to 105 °C) <sup>2)</sup>
			-2.6	–	1.25	%	with respect to $f_{\text{NOM}}(\text{typ})$ , over temperature ( $T_{\text{A}} = -40 \text{ °C}$ to 105 °C) <sup>2)</sup>

1) The deviation is relative to the factory trimmed frequency at nominal  $V_{\text{DDC}}$  and  $T_{\text{A}} = +25 \text{ °C}$ .

2) Not subject to production test, verified by design/characterisation.

**Electrical Parameter**

**Figure 13** shows the typical curves for the accuracy of DCO1, with and without calibration based on temperature sensor, respectively.



**Figure 13 Typical DCO1 accuracy over temperature**

**Table 20** provides the characteristics of the 32 kHz clock output from digital controlled oscillators, DCO2 in XMC1100.

**Table 20 32 kHz DCO2 Characteristics (Operating Conditions apply)**

Parameter	Symbol	Limit Values	Unit	Test Conditions		
					Min.	Typ.
Nominal frequency	$f_{\text{NOM}}$ CC	32.5	32.75	33	kHz	under nominal conditions <sup>1)</sup> after trimming
Accuracy	$\Delta f_{\text{LT}}$ CC	-1.7	–	3.4	%	with respect to $f_{\text{NOM}}(\text{typ})$ , over temperature (0 °C to 85 °C) <sup>2)</sup>
		-3.9	–	4.0	%	with respect to $f_{\text{NOM}}(\text{typ})$ , over temperature (-40 °C to 105 °C) <sup>2)</sup>

1) The deviation is relative to the factory trimmed frequency at nominal  $V_{\text{DCC}}$  and  $T_{\text{A}} = + 25 \text{ °C}$ .

2) Not subject to production test, verified by design/characterisation.

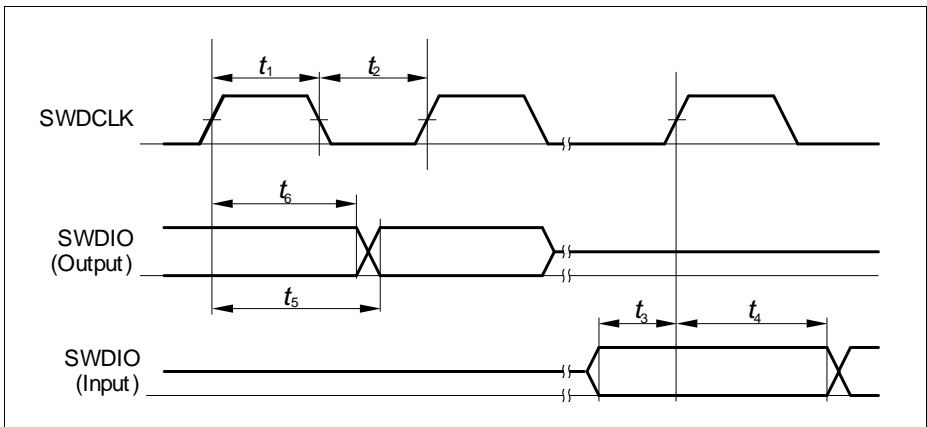
### 3.3.5 Serial Wire Debug Port (SW-DP) Timing

The following parameters are applicable for communication through the SW-DP interface.

*Note: These parameters are not subject to production test, but verified by design and/or characterization.*

**Table 21 SWD Interface Timing Parameters**(Operating Conditions apply)

Parameter	Symbol	Values			Unit	Note / Test Condition
		Min.	Typ.	Max.		
SWDCLK high time	$t_1$ SR	50	–	500000	ns	–
SWDCLK low time	$t_2$ SR	50	–	500000	ns	–
SWDIO input setup to SWDCLK rising edge	$t_3$ SR	10	–	–	ns	–
SWDIO input hold after SWDCLK rising edge	$t_4$ SR	10	–	–	ns	–
SWDIO output valid time after SWDCLK rising edge	$t_5$ CC	–	–	68	ns	$C_L = 50$ pF
		–	–	62	ns	$C_L = 30$ pF
SWDIO output hold time from SWDCLK rising edge	$t_6$ CC	4	–	–	ns	



**Figure 14 SWD Timing**

### 3.3.6 SPD Timing Requirements

The optimum SPD decision time between  $0_B$  and  $1_B$  is  $0.75 \mu\text{s}$ . With this value the system has maximum robustness against frequency deviations of the sampling clock on tool and on device side. However it is not always possible to exactly match this value with the given constraints for the sample clock. For instance for a oversampling rate of 4, the sample clock will be 8 MHz and in this case the closest possible effective decision time is 5.5 clock cycles ( $0.69 \mu\text{s}$ ).

**Table 22 Optimum Number of Sample Clocks for SPD**

Sample Freq.	Sampling Factor	Sample Clocks $0_B$	Sample Clocks $1_B$	Effective Decision Time <sup>1)</sup>	Remark
8 MHz	4	1 to 5	6 to 12	$0.69 \mu\text{s}$	The other closest option ( $0.81 \mu\text{s}$ ) for the effective decision time is less robust.

1) Nominal sample frequency period multiplied with  $0.5 + (\text{max. number of } 0_B \text{ sample clocks})$

For a balanced distribution of the timing robustness of SPD between tool and device, the timing requirements for the tool are:

- Frequency deviation of the sample clock is +/- 5%
- Effective decision time is between  $0.69 \mu\text{s}$  and  $0.75 \mu\text{s}$  (calculated with nominal sample frequency)

### 3.3.7 Peripheral Timings

*Note: These parameters are not subject to production test, but verified by design and/or characterization.*

#### 3.3.7.1 Synchronous Serial Interface (USIC SSC) Timing

The following parameters are applicable for a USIC channel operated in SSC mode.

*Note: Operating Conditions apply.*

**Table 23 USIC SSC Master Mode Timing**

Parameter	Symbol	Values			Unit	Note / Test Condition
		Min.	Typ.	Max.		
Slave select output SELO active to first SCLKOUT transmit edge	$t_1$ CC	80	–	–	ns	
Slave select output SELO inactive after last SCLKOUT receive edge	$t_2$ CC	0	–	–	ns	
Data output DOUT[3:0] valid time	$t_3$ CC	-10	–	10	ns	
Receive data input DX0/DX[5:3] setup time to SCLKOUT receive edge	$t_4$ SR	80	–	–	ns	
Data input DX0/DX[5:3] hold time from SCLKOUT receive edge	$t_5$ SR	0	–	–	ns	

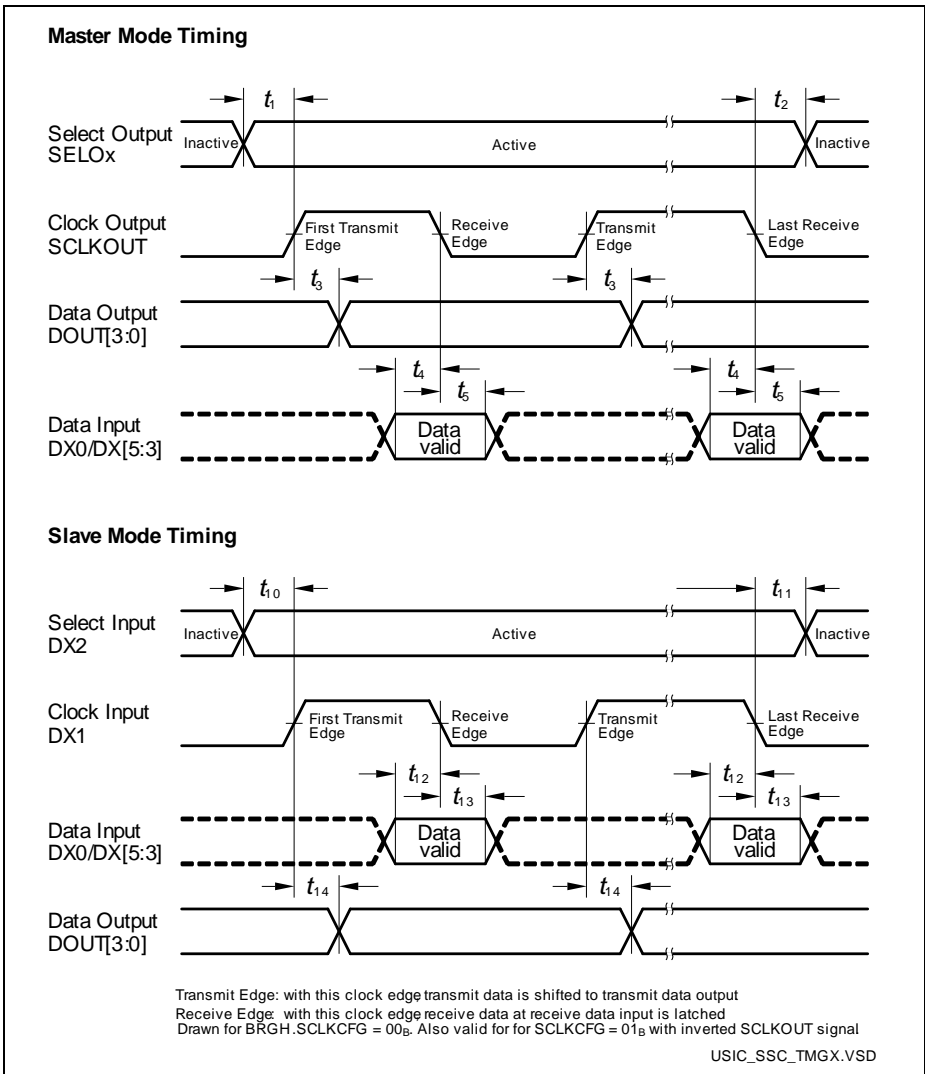
**Table 24 USIC SSC Slave Mode Timing**

Parameter	Symbol	Values			Unit	Note / Test Condition
		Min.	Typ.	Max.		
Select input DX2 setup to first clock input DX1 transmit edge <sup>1)</sup>	$t_{10}$ SR	10	–	–	ns	
Select input DX2 hold after last clock input DX1 receive edge <sup>1)</sup>	$t_{11}$ SR	10	–	–	ns	

**Table 24 USIC SSC Slave Mode Timing (cont'd)**

Parameter	Symbol	Values			Unit	Note / Test Condition
		Min.	Typ.	Max.		
Receive data input DX0/DX[5:3] setup time to shift clock receive edge <sup>1)</sup>	$t_{12}$ SR	10	–	–	ns	
Data input DX0/DX[5:3] hold time from clock input DX1 receive edge <sup>1)</sup>	$t_{13}$ SR	10	–	–	ns	
Data output DOUT[3:0] valid time	$t_{14}$ CC	-	–	80	ns	

1) These input timings are valid for asynchronous input signal handling of slave select input, shift clock input, and receive data input (bits DXnCR.DSEN = 0).



**Figure 15 USIC - SSC Master/Slave Mode Timing**

*Note: This timing diagram shows a standard configuration, for which the slave select signal is low-active, and the serial clock signal is not shifted and not inverted.*

### 3.3.7.2 Inter-IC (IIC) Interface Timing

The following parameters are applicable for a USIC channel operated in IIC mode.

*Note: Operating Conditions apply.*

**Table 25 USIC IIC Standard Mode Timing<sup>1)</sup>**

Parameter	Symbol	Values			Unit	Note / Test Condition
		Min.	Typ.	Max.		
Fall time of both SDA and SCL	$t_1$ CC/SR	-	-	300	ns	
Rise time of both SDA and SCL	$t_2$ CC/SR	-	-	1000	ns	
Data hold time	$t_3$ CC/SR	0	-	-	μs	
Data set-up time	$t_4$ CC/SR	250	-	-	ns	
LOW period of SCL clock	$t_5$ CC/SR	4.7	-	-	μs	
HIGH period of SCL clock	$t_6$ CC/SR	4.0	-	-	μs	
Hold time for (repeated) START condition	$t_7$ CC/SR	4.0	-	-	μs	
Set-up time for repeated START condition	$t_8$ CC/SR	4.7	-	-	μs	
Set-up time for STOP condition	$t_9$ CC/SR	4.0	-	-	μs	
Bus free time between a STOP and START condition	$t_{10}$ CC/SR	4.7	-	-	μs	
Capacitive load for each bus line	$C_b$ SR	-	-	400	pF	

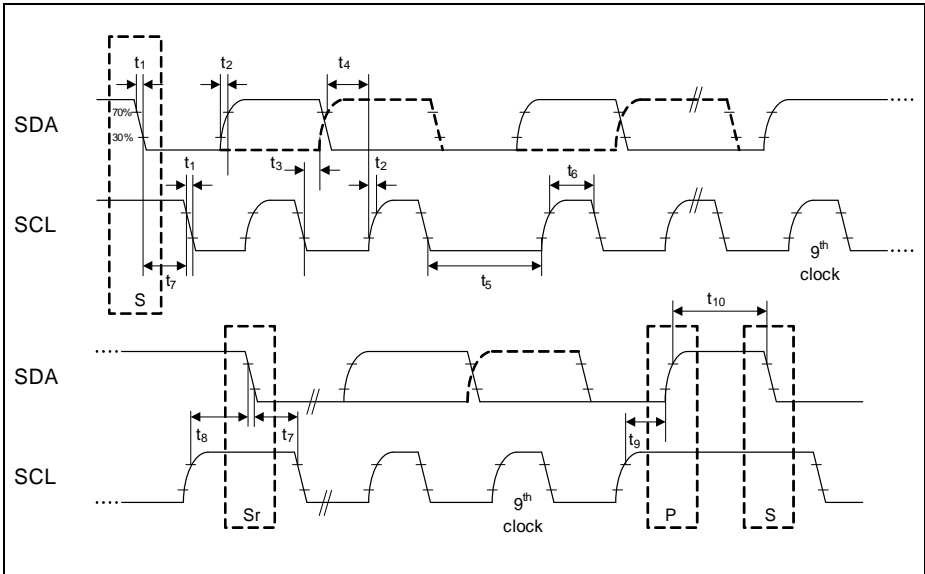
1) Due to the wired-AND configuration of an IIC bus system, the port drivers of the SCL and SDA signal lines need to operate in open-drain mode. The high level on these lines must be held by an external pull-up device, approximately 10 kOhm for operation at 100 kbit/s, approximately 2 kOhm for operation at 400 kbit/s.

**Table 26 USIC IIC Fast Mode Timing <sup>1)</sup>**

Parameter	Symbol	Values			Unit	Note / Test Condition
		Min.	Typ.	Max.		
Fall time of both SDA and SCL	$t_1$ CC/SR	20 + 0.1 * $C_b$ <sup>2)</sup>	-	300	ns	
Rise time of both SDA and SCL	$t_2$ CC/SR	20 + 0.1 * $C_b$	-	300	ns	
Data hold time	$t_3$ CC/SR	0	-	-	μs	
Data set-up time	$t_4$ CC/SR	100	-	-	ns	
LOW period of SCL clock	$t_5$ CC/SR	1.3	-	-	μs	
HIGH period of SCL clock	$t_6$ CC/SR	0.6	-	-	μs	
Hold time for (repeated) START condition	$t_7$ CC/SR	0.6	-	-	μs	
Set-up time for repeated START condition	$t_8$ CC/SR	0.6	-	-	μs	
Set-up time for STOP condition	$t_9$ CC/SR	0.6	-	-	μs	
Bus free time between a STOP and START condition	$t_{10}$ CC/SR	1.3	-	-	μs	
Capacitive load for each bus line	$C_b$ SR	-	-	400	pF	

1) Due to the wired-AND configuration of an IIC bus system, the port drivers of the SCL and SDA signal lines need to operate in open-drain mode. The high level on these lines must be held by an external pull-up device, approximately 10 kOhm for operation at 100 kbit/s, approximately 2 kOhm for operation at 400 kbit/s.

2)  $C_b$  refers to the total capacitance of one bus line in pF.



**Figure 16 USIC IIC Stand and Fast Mode Timing**

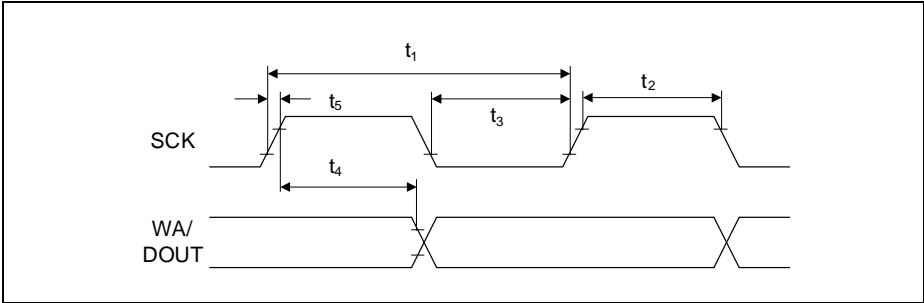
### 3.3.7.3 Inter-IC Sound (IIS) Interface Timing

The following parameters are applicable for a USIC channel operated in IIS mode.

*Note: Operating Conditions apply.*

**Table 27 USIC IIS Master Transmitter Timing**

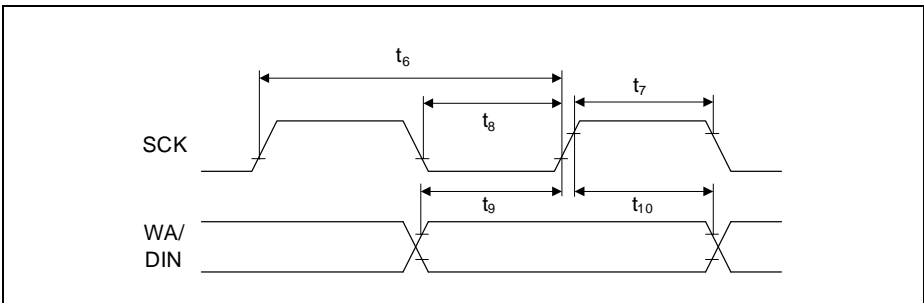
Parameter	Symbol	Values			Unit	Note / Test Condition
		Min.	Typ.	Max.		
Clock period	$t_1$ CC	$2/f_{MCLK}$	-	-	ns	$V_{DDP} \geq 3\text{ V}$
		$4/f_{MCLK}$	-	-	ns	$V_{DDP} < 3\text{ V}$
Clock HIGH	$t_2$ CC	$0.35 \times t_{1min}$	-	-	ns	
Clock Low	$t_3$ CC	$0.35 \times t_{1min}$	-	-	ns	
Hold time	$t_4$ CC	0	-	-	ns	
Clock rise time	$t_5$ CC	-	-	$0.15 \times t_{1min}$	ns	



**Figure 17 USIC IIS Master Transmitter Timing**

**Table 28 USIC IIS Slave Receiver Timing**

Parameter	Symbol	Values			Unit	Note / Test Condition
		Min.	Typ.	Max.		
Clock period	$t_6$ SR	$4/f_{MCLK}$	-	-	ns	
Clock HIGH	$t_7$ SR	$0.35 \times t_{6min}$	-	-	ns	
Clock Low	$t_8$ SR	$0.35 \times t_{6min}$	-	-	ns	
Set-up time	$t_9$ SR	$0.2 \times t_{6min}$	-	-	ns	
Hold time	$t_{10}$ SR	10	-	-	ns	



**Figure 18 USIC IIS Slave Receiver Timing**

## 4 Package and Reliability

The XMC1100 is a member of the XMC1000 Derivatives of microcontrollers. It is also compatible to a certain extent with members of similar families or subfamilies.

Each package is optimized for the device it houses. Therefore, there may be slight differences between packages of the same pin-count but for different device types. In particular, the size of the exposed die pad may vary.

If different device types are considered or planned for an application, it must be ensured that the board layout fits all packages under consideration.

### 4.1 Package Parameters

**Table 29** provides the thermal characteristics of the packages used in XMC1100.

**Table 29 Thermal Characteristics of the Packages**

Parameter	Symbol	Limit Values		Unit	Package Types
		Min.	Max.		
Exposed Die Pad Dimensions	Ex × Ey CC	-	2.7 × 2.7	mm	PG-VQFN-24-19
		-	3.7 × 3.7	mm	PG-VQFN-40-13
Thermal resistance Junction-Ambient	$R_{\Theta JA}$ CC	-	104.6	K/W	PG-TSSOP-16-8 <sup>1)</sup>
		-	70.3	K/W	PG-TSSOP-38-9 <sup>1)</sup>
		-	46.0	K/W	PG-VQFN-24-19 <sup>1)</sup>
		-	38.4	K/W	PG-VQFN-40-13 <sup>1)</sup>

1) Device mounted on a 4-layer JEDEC board (JESD 51-5); exposed pad soldered.

*Note: For electrical reasons, it is required to connect the exposed pad to the board ground  $V_{SSP}$ , independent of EMC and thermal requirements.*

#### 4.1.1 Thermal Considerations

When operating the XMC1100 in a system, the total heat generated in the chip must be dissipated to the ambient environment to prevent overheating and the resulting thermal damage.

The maximum heat that can be dissipated depends on the package and its integration into the target board. The “Thermal resistance  $R_{\Theta JA}$ ” quantifies these parameters. The power dissipation must be limited so that the average junction temperature does not exceed 115 °C.

The difference between junction temperature and ambient temperature is determined by  $\Delta T = (P_{INT} + P_{IOSTAT} + P_{IODYN}) \times R_{\Theta JA}$

The internal power consumption is defined as

$$P_{\text{INT}} = V_{\text{DDP}} \times I_{\text{DDP}} \text{ (switching current and leakage current).}$$

The static external power consumption caused by the output drivers is defined as

$$P_{\text{IOSTAT}} = \Sigma((V_{\text{DDP}} - V_{\text{OH}}) \times I_{\text{OH}}) + \Sigma(V_{\text{OL}} \times I_{\text{OL}})$$

The dynamic external power consumption caused by the output drivers ( $P_{\text{IODYN}}$ ) depends on the capacitive load connected to the respective pins and their switching frequencies.

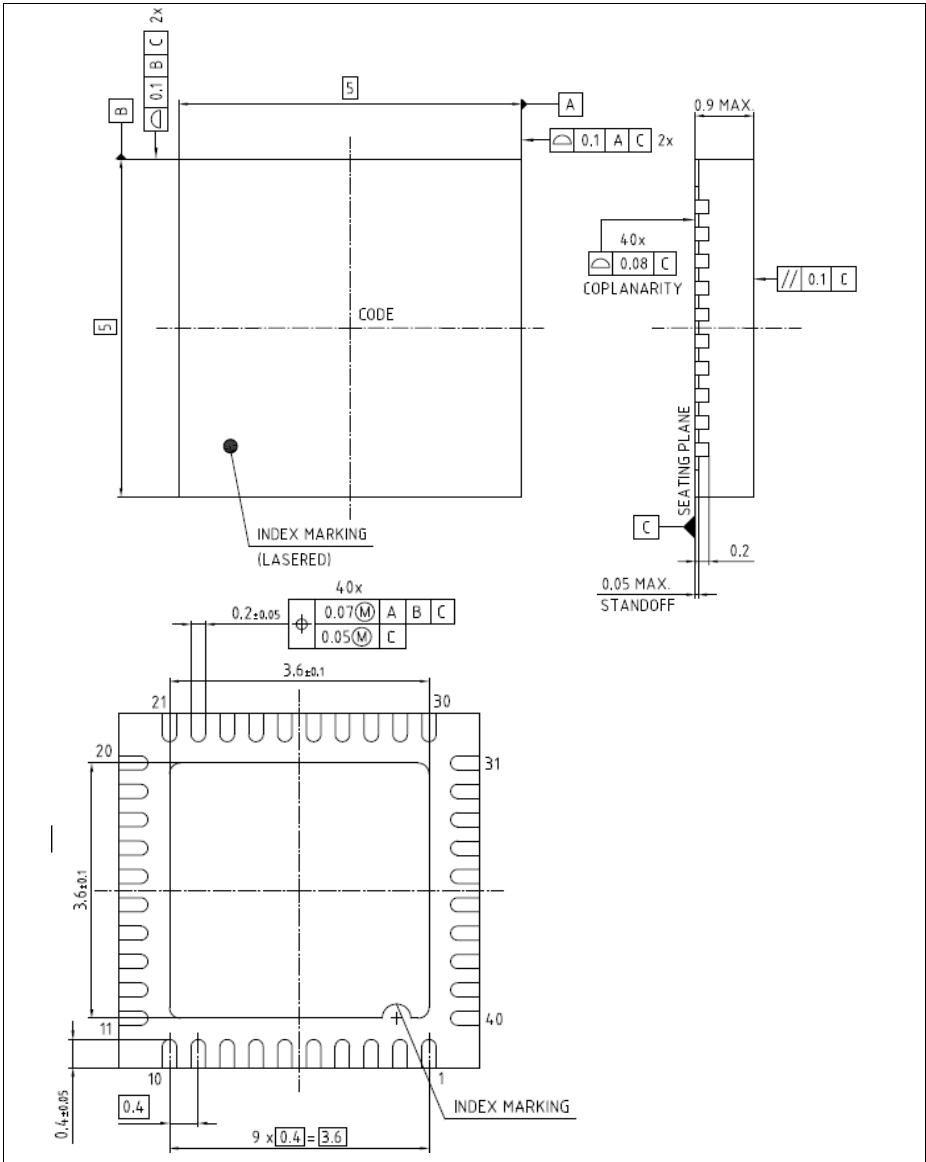
If the total power dissipation for a given system configuration exceeds the defined limit, countermeasures must be taken to ensure proper system operation:

- Reduce  $V_{\text{DDP}}$ , if possible in the system
- Reduce the system frequency
- Reduce the number of output pins
- Reduce the load on active output drivers









**Figure 22 PG-VQFN-40-13**

All dimensions in mm.

## 5 Quality Declaration

**Table 30** shows the characteristics of the quality parameters in the XMC1100.

**Table 30 Quality Parameters**

Parameter	Symbol	Limit Values		Unit	Notes
		Min.	Max.		
ESD susceptibility according to Human Body Model (HBM)	$V_{\text{HBM}}$ SR	-	2000	V	Conforming to EIA/JESD22-A114-B
ESD susceptibility according to Charged Device Model (CDM) pins	$V_{\text{CDM}}$ SR	-	500	V	Conforming to JESD22-C101-C
Moisture sensitivity level	$MSL$ CC	-	3	-	JEDEC J-STD-020C

[www.infineon.com](http://www.infineon.com)

Published by Infineon Technologies AG

# Looking for pricing, stock, or lifecycle information?

Click below to explore more details on WIN SOURCE:

- ⊖ [View XMC1100T016X0032AAXUMA1 on WIN SOURCE](#)
- ⊖ [Infineon Technologies](#) Information

## Optimize Your Supply Chain with WIN SOURCE Solutions

- ✓ Global Sourcing Solution
- ✓ Obsolete Management
- ✓ Cost Control Management
- ✓ Shortage Management
- ✓ Alternative Solution
- ✓ Excess Inventory Management