



**THE DATASHEET OF  
EVAL-ADF4350EB1Z**

## Evaluation Board for Fractional-N/Integer-N PLL Frequency Synthesizer

### FEATURES

**Self-contained board including PLL, VCO, loop filter (35 kHz), 25 MHz TCXO reference, USB interface, and voltage regulators**

**Accompanying software allows control of synthesizer functions from a PC**

**Choice of power supply via USB or external feeding**

**Typical phase noise performance of  $-99$  dBc/Hz @ 1 kHz offset from carrier (1 GHz output frequency)**

### GENERAL DESCRIPTION

The EVAL-ADF4350EB1Z is designed to evaluate the performance of the [ADF4350](#) frequency synthesizer. A digital picture

of the board is shown in Figure 1. It contains the ADF4350 synthesizer, a USB connector and related interface, a 25 MHz TCXO reference source, SMA connectors for the RF outputs, and reference signal plus headers for various signals and voltages. There is also a loop filter (35 kHz) on board. A USB cable is included with the board to connect to a PC USB port.

The package also contains Windows® software (2000- and XP-compatible) to allow easy programming of the synthesizer.

### EVALUATION KIT CONTENTS

**Evaluation board software CD**

**USB cable**

**EVAL-ADF4350EB1Z**

### DIGITAL PICTURE OF EVALUATION BOARD

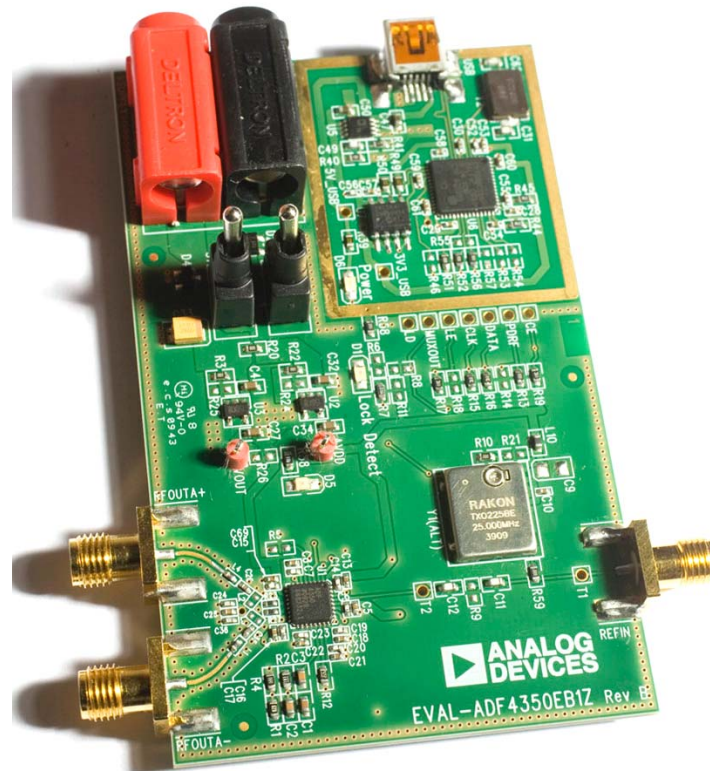


Figure 1.

08907-001

**TABLE OF CONTENTS**

Features .....	1	RF Output.....	3
General Description .....	1	Loop Filter .....	3
Evaluation Kit Contents.....	1	Reference Source .....	3
Digital Picture of Evaluation Board .....	1	Evaluation Setup .....	4
Revision History .....	2	Evaluation Board Software.....	5
Evaluation Board Hardware .....	3	Evaluation Board Schematics and Artwork .....	6
Overview.....	3	Ordering Information.....	10
Power Supplies .....	3	Bill of Materials.....	10

**REVISION HISTORY**

3/10—Revision 0: Initial Version

## EVALUATION BOARD HARDWARE

### OVERVIEW

The EVAL-ADF4350EB1Z comes with a cable for connecting to the USB port of a PC. The silk screen for the evaluation board is shown in Figure 8. The board schematic is shown in Figure 5, Figure 6, and Figure 7.

### POWER SUPPLIES

The EVAL-ADF4350EB1Z can be powered either from the USB port or via dc power connectors (4 mm banana connectors). When feeding via banana connectors, 3.75 V to 5.5 V is a suitable feeding voltage. The power supply circuitry allows the user to use one or two separate LDOs to feed the [ADF4350](#) (using fewer LDOs increases the risk of spur contaminated dc feeds). Consult the board schematic in Figure 5, Figure 6, and Figure 7 to determine a suitable setting.

An LED, D6, indicates when USB power is available, and another LED, D5, indicates when the ADF4350 is powered. Switch S1 is used to power the ADF4350 from the external dc connectors USB port and Switch S2 to power from the USB port.

In case the USB processor or clock causes spurs on the RF output signal, the user may feed the evaluation board via the dc connectors and unplug the USB cable, thereby removing power from the USB interface circuitry. There is also a grounded frame surrounding the USB interface circuitry to allow mounting of a shielding box.

### RF OUTPUT

The EVAL-ADF4350EB1Z has two SMA output connectors (differential outputs). The device is quite sensitive to impedance unbalance. If only one port of a differential pair is used, terminate the other with a 50  $\Omega$  load. If the user wishes to utilize the auxiliary outputs, use the EVAL-ADF4350EB2Z.

### LOOP FILTER

The loop filter schematic is included in the board schematic on Figure 5. The loop filter component placements are clarified in Figure 2.

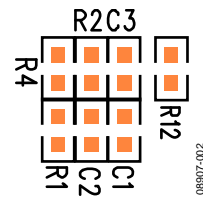


Figure 2. Loop Filter Placement

### REFERENCE SOURCE

The 25 MHz TCXO from Rakon Limited provides the necessary reference signal. An external REFIN may be used if desired. In this case, disable the on-board TCXO by removing R1 and R2. R9 can be populated with 50  $\Omega$  to adjust impedance matching of the evaluation board to the external reference source.

# EVALUATION SETUP

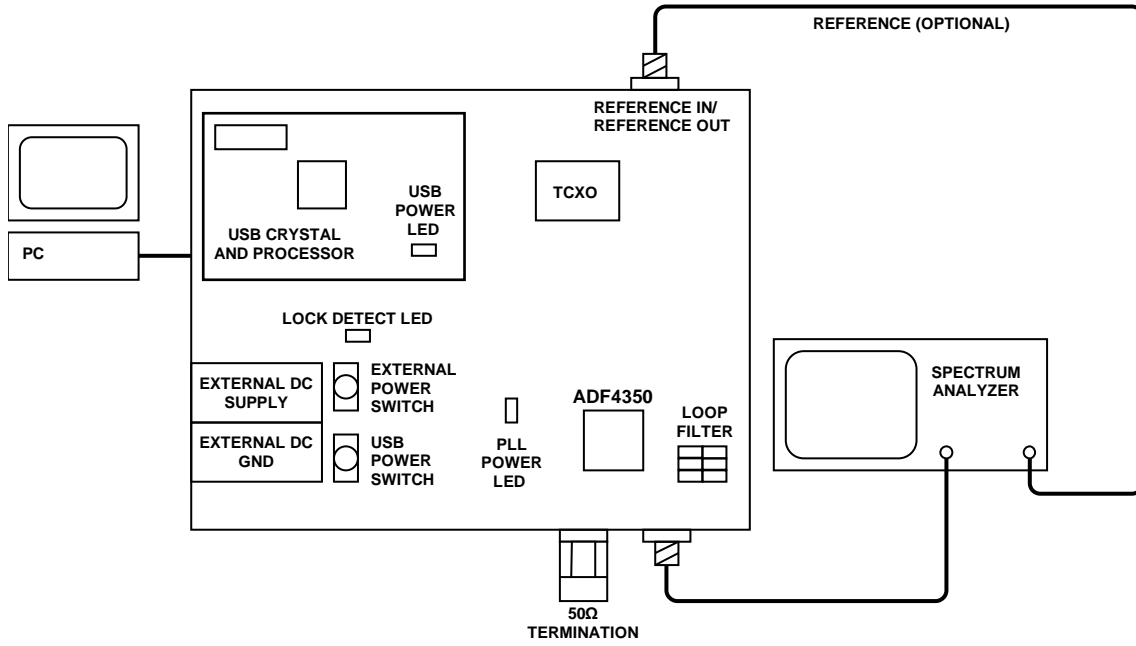


Figure 3. Evaluation Setup

08807-003

## EVALUATION BOARD SOFTWARE

The control software for the EVAL-ADF4350 accompanies the EVAL-ADF4350EB1Z on a CD. To install the software, use the following steps:

1. Click **setup.exe**.
2. The install wizard guides you through the installation process. The software is installed in a default directory called **C:/Program Files/Analog Devices/ADF4350**.
3. To run the software, click the **.exe** file.

The main interface window appears (see Figure 4). Confirm that **USB OK** is displayed on the right side of the screen. Otherwise, the software has no connection to the evaluation board.

It is also possible to disconnect the USB by clicking the **Disconnect USB** button. Should this happen, no data is sent to the part. This function is to be used before disconnecting the board from the USB connection. When the board is connected again, click the **USB connect** button to enable the programming of the part. This ensures the PC does not freeze up when the USB cable is disconnected.

Use the **Reference** section to set correct reference frequency and reference frequency divider. The reference TCXO on the evaluation board runs at 25 MHz. To force the device to operate in integer-N mode, set the R divider so that the PFD frequency (displayed in the **Settings** section) equals the channel spacing (set in the **Output Frequency** section) and select the **Integer-N when possible** check box (in the **Options** section).

The **Outputs** section controls the charge pump current setting, the output power setting, and the multiplexer output setting.

Use the **Output Frequency** section to control the output frequency. You may specify two frequencies, and select which one the device operates at. For some frequencies, the device can operate in two modes: the low end of the VCO band or the high end plus an extra divide by two. To control which mode is used, select **Minimum Output Divider** in the **Options** section.

The device can be set to toggle between the two set frequencies by selecting **Alternate** in the **Dynamic** section. The time spent on each frequency is set in the **Approximate Delay** field. To stop, click **Stop**. There is also a possibility to sweep from f1 to f2 with the channel spacing resolution with approximate delay time spent on each frequency.

It is also possible to select **Low Spur Mode** or **Low Noise Mode** for the frac-N mode in the **Options** section. Here you can also set the cycle slip reduction bit.

The **Settings** section displays selected settings. Click **Registers** to display every bit of the register settings. To download these to the device, click **Update ALL**.

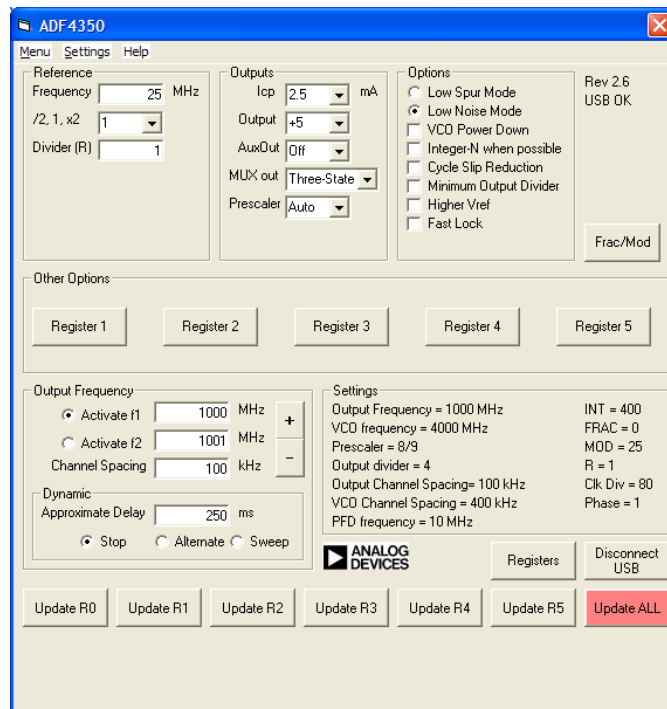


Figure 4. Software Front Panel



9097-006

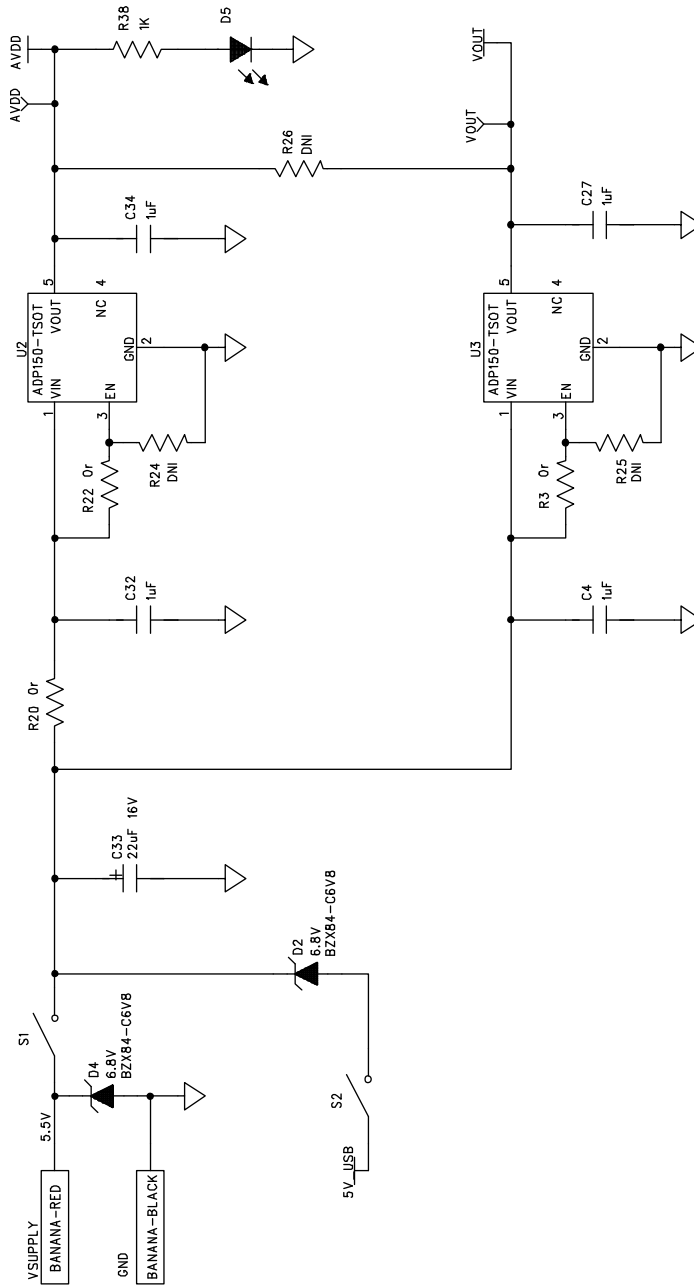
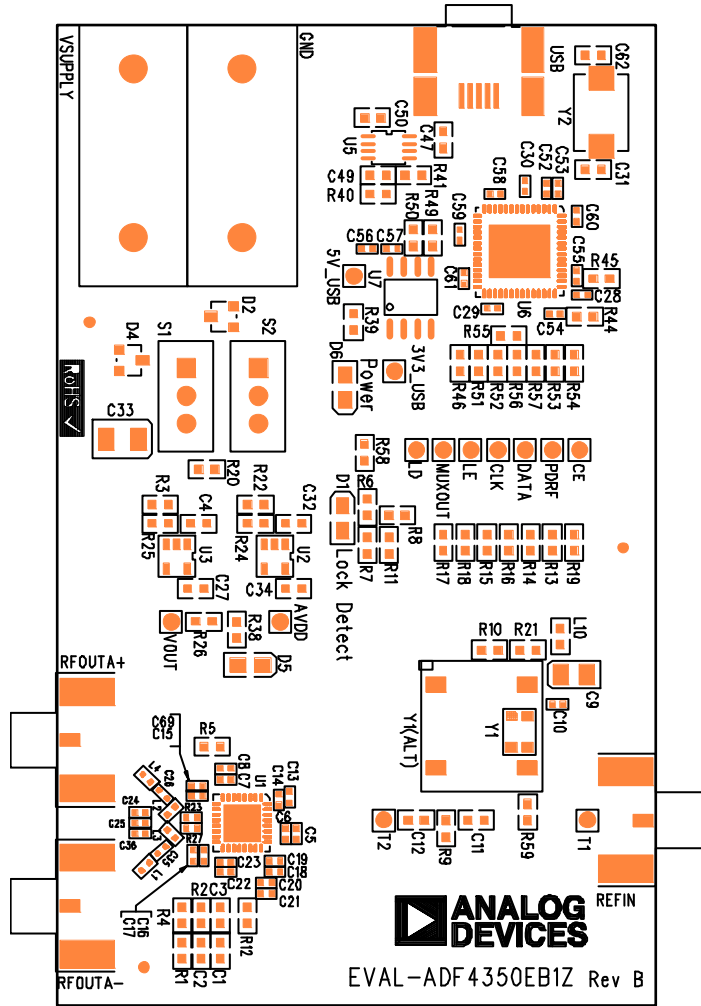


Figure 6. Evaluation Board Schematic (Page 2)





800-408880

Figure 8. Evaluation Board Silk Screen

## ORDERING INFORMATION

## BILL OF MATERIALS

Table 1.

Qty	Reference Designator	Description
1	C1	Ceramic capacitor, 2.7 nF, 0603, 100 V, X7R
1	C2	Ceramic capacitor, 47 nF, 0603, 25 V, X7R
1	C3	Ceramic capacitor, 680 pF, 0603, 50 V, X7R, SMD
4	C4, C27, C32, C34	Capacitor, 1 $\mu$ F, 0603, 10 V, X5R
21	C5, C8, C10, C13, C17, C18, C21, C22, C25, C28, C29, C30, C53, C54, C55, C57, C58, C59, C60, C61, C69	Ceramic capacitor, 0.1 $\mu$ F, 0402, 16 V, X7R
10	C6, C7, C14, C15, C16, C19, C20, C23, C52, C56	Ceramic capacitor, 10 pF, 0402, 50 V, NPO
1	C9	Ceramic capacitor+, 1 $\mu$ F, 0805, RTAJ_A, 16 V, X7R
3	C11, C12, C49	Ceramic capacitor, 1 nF, 0603, 50 V, NPO
2	C24, C36	Ceramic capacitor, 120 pF, 0402, 50 V, NPO
2	C26, C35	Ceramic capacitor, 1 nF, 0402, 50 V, NPO
2	C31, C62	Ceramic capacitor, 12 pF, 0603, 50 V, NPO, SMD
1	C33	Capacitor+, 22 $\mu$ F, 16 V, RTAJ_B, tantalum TAJ-B 22UF, 10%
2	C47, C50	Ceramic capacitor, 1 $\mu$ F, 0603, 25 V, X5R
2	D1, D6	0805 green LED
2	D2, D4	Zener diode, 6.8 V, SOT-23, 350 MW
1	D5	0805 red LED
2	L1, L4	Inductor, 0 $\Omega$ 0402 SMD resistor
2	L2, L3	Inductor, 7.5 nH L0402 0402 chip inductor
1	L10	0603 ferrite bead
1	R1	Resistor, 360 $\Omega$ , 0603, SMD
2	R2, R38	Resistor, 1 k $\Omega$ , 0603, SMD
11	R3, R4, R10, R13, R20, R22, R51, R52, R56, R58, R59	Resistor, 0 $\Omega$ , 0603, SMD
13	R5, R6, R8, R9, R11, R14, R18, R21, R46, R53, R54, R55, R57	Resistor location, DNI, 0603—not inserted
3	R7, R44, R45	Resistor 100 $\Omega$ 0603 SMD
1	R12	Resistor 4.7 k $\Omega$ , 0603, SMD
4	R15, R16, R17, R19	Resistor, 10 k $\Omega$ , 0603, SMD
2	R23, R27	Resistor, 0 $\Omega$ , 0402, SMD
3	R24 to R26	Resistor, DNI, 0603, SMD
3	R39, R49, R50	Resistor, 2.2 k $\Omega$ , 0603, SMD
1	R40	Resistor, 140 k $\Omega$ , 0603, SMD
1	R41	Resistor, 78.7 k $\Omega$ , 0603, SMD
13	3V3_USB, 5V_USB, AVDD, CE, CLK, DATA, LD, LE, MUXOUT, PDRF, T1, T2, VOUT	Red testpoint
3	REFIN, RFOUTA+, RFOUTA-	SMA_CARD_EDGE_RF, end-launch 50 $\Omega$ SMA jack
2	S1, S2	SW_POWER SW_SIP-3P PCB mount SPDT switch
1	U1	ADF4350 LFCSP-32 PLL
2	U2, U3	ADP150-TSOT TSOT-5 linear regulator
1	U5	ADP3334 MSO8 adjustable LDO regulator
1	U6	CY7C68013-CSP, LFCSP-56_RP, USB microcontroller
1	U7	24LC64, SO8NB, 64K I <sup>2</sup> C serial EEPROM
1	USB	USB mini-B connector (usb-otg)
1	GND	Black 4 mm banana socket
1	VSUPPLY	Red 4 mm banana socket
1	Y1	OSC_TCXO_IT3200C 26 MHz TCXO-IT3200C TCXO
1	Y1 (ALT)	OSC_TCXO-RAKON-TXO200B, 25 MHz, SMD temperature compensated crystal oscillator
1	Y2	XTAL1-CSM-8A, 24.0 MHz, XTAL-CSM-8A, SMD crystal

**NOTES**

## NOTES

**ESD Caution**

**ESD (electrostatic discharge) sensitive device.** Charged devices and circuit boards can discharge without detection. Although this product features patented or proprietary protection circuitry, damage may occur on devices subjected to high energy ESD. Therefore, proper ESD precautions should be taken to avoid performance degradation or loss of functionality.

**Legal Terms and Conditions** By using the evaluation board discussed herein (together with any tools, components documentation or support materials, the "Evaluation Board"), you are agreeing to be bound by the terms and conditions set forth below ("Agreement") unless you have purchased the Evaluation Board, in which case the Analog Devices Standard Terms and Conditions of Sale shall govern. Do not use the Evaluation Board until you have read and agreed to the Agreement. Your use of the Evaluation Board shall signify your acceptance of the Agreement. This Agreement is made by and between you ("Customer") and Analog Devices, Inc. ("ADI"), with its principal place of business at One Technology Way, Norwood, MA 02062, USA. Subject to the terms and conditions of the Agreement, ADI hereby grants to Customer a free, limited, personal, temporary, non-exclusive, non-sublicensable, non-transferable license to use the Evaluation Board FOR EVALUATION PURPOSES ONLY. Customer understands and agrees that the Evaluation Board is provided for the sole and exclusive purpose referenced above, and agrees not to use the Evaluation Board for any other purpose. Furthermore, the license granted is expressly made subject to the following additional limitations: Customer shall not (i) rent, lease, display, sell, transfer, assign, sublicense, or distribute the Evaluation Board; and (ii) permit any Third Party to access the Evaluation Board. As used herein, the term "Third Party" includes any entity other than ADI, Customer, their employees, affiliates and in-house consultants. The Evaluation Board is NOT sold to Customer; all rights not expressly granted herein, including ownership of the Evaluation Board, are reserved by ADI. CONFIDENTIALITY. This Agreement and the Evaluation Board shall all be considered the confidential and proprietary information of ADI. Customer may not disclose or transfer any portion of the Evaluation Board to any other party for any reason. Upon discontinuation of use of the Evaluation Board or termination of this Agreement, Customer agrees to promptly return the Evaluation Board to ADI. ADDITIONAL RESTRICTIONS. Customer may not disassemble, decompile or reverse engineer chips on the Evaluation Board. Customer shall inform ADI of any occurred damages or any modifications or alterations it makes to the Evaluation Board, including but not limited to soldering or any other activity that affects the material content of the Evaluation Board. Modifications to the Evaluation Board must comply with applicable law, including but not limited to the RoHS Directive. TERMINATION. ADI may terminate this Agreement at any time upon giving written notice to Customer. Customer agrees to return to ADI the Evaluation Board at that time. LIMITATION OF LIABILITY. THE EVALUATION BOARD PROVIDED HEREUNDER IS PROVIDED "AS IS" AND ADI MAKES NO WARRANTIES OR REPRESENTATIONS OF ANY KIND WITH RESPECT TO IT. ADI SPECIFICALLY DISCLAIMS ANY REPRESENTATIONS, ENDORSEMENTS, GUARANTEES, OR WARRANTIES, EXPRESS OR IMPLIED, RELATED TO THE EVALUATION BOARD INCLUDING, BUT NOT LIMITED TO, THE IMPLIED WARRANTY OF MERCHANTABILITY, TITLE, FITNESS FOR A PARTICULAR PURPOSE OR NON-INFRINGEMENT OF INTELLECTUAL PROPERTY RIGHTS. IN NO EVENT WILL ADI AND ITS LICENSORS BE LIABLE FOR ANY INCIDENTAL, SPECIAL, INDIRECT, OR CONSEQUENTIAL DAMAGES RESULTING FROM CUSTOMER'S POSSESSION OR USE OF THE EVALUATION BOARD, INCLUDING BUT NOT LIMITED TO LOST PROFITS, DELAY COSTS, LABOR COSTS OR LOSS OF GOODWILL. ADI'S TOTAL LIABILITY FROM ANY AND ALL CAUSES SHALL BE LIMITED TO THE AMOUNT OF ONE HUNDRED US DOLLARS (\$100.00). EXPORT. Customer agrees that it will not directly or indirectly export the Evaluation Board to another country, and that it will comply with all applicable United States federal laws and regulations relating to exports. GOVERNING LAW. This Agreement shall be governed by and construed in accordance with the substantive laws of the Commonwealth of Massachusetts (excluding conflict of law rules). Any legal action regarding this Agreement will be heard in the state or federal courts having jurisdiction in Suffolk County, Massachusetts, and Customer hereby submits to the personal jurisdiction and venue of such courts. The United Nations Convention on Contracts for the International Sale of Goods shall not apply to this Agreement and is expressly disclaimed.

## Looking for pricing, stock, or lifecycle information?

Click below to explore more details on WIN SOURCE:

 [View EVAL-ADF4350EB1Z on WIN SOURCE](#)

 [Analog Devices Inc. Information](#)

## Optimize Your Supply Chain with WIN SOURCE Solutions

-  Global Sourcing Solution
-  Obsolete Management
-  Cost Control Management
-  Shortage Management
-  Alternative Solution
-  Excess Inventory Management