



**THE DATASHEET OF  
LE87501NQC**

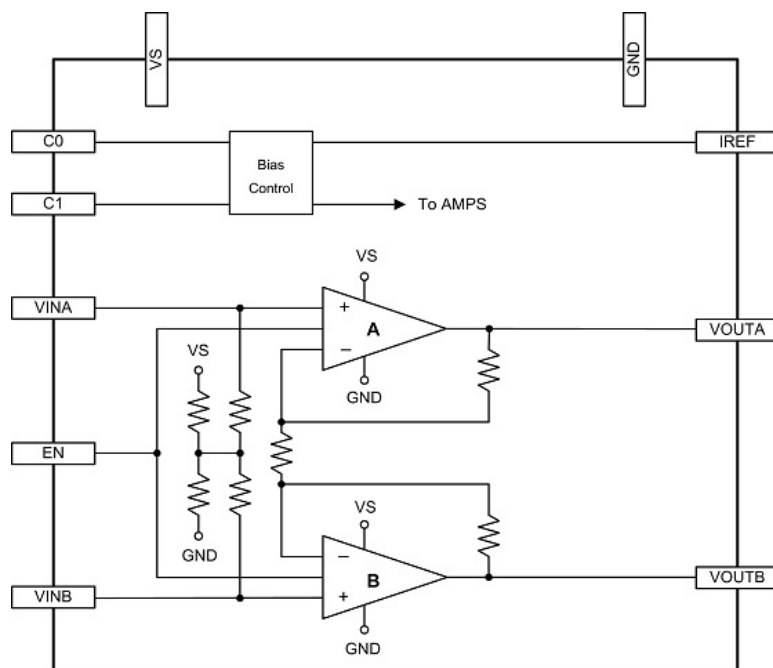


# Le87501

## PLC Single Channel Line Driver BD870 Series

The Le87501 is a single channel line driver designed to work in Home Plug Alliance HPAV2 systems. When enabled, the operation can be set to Full, 90% or 80% power. The Le87501 delivers superior performance and can drive a line impedance of  $100\ \Omega$  down to  $12\ \Omega$  through a proper transformer. In addition, the Le87501 features a Standby state which forces the driver into a long-term sleep mode.

### Simplified Block Diagram



### Features & Benefits

- Small 16-pin, 4x4 mm QFN Package
- Low Power Operation
- Class AB Operation
- Enable/Disable Control
- Capable of Driving Line Impedance Between  $12\ \Omega$  to  $100\ \Omega$
- Operation to 86 MHz
- RoHS compliant

## Looking for pricing, stock, or lifecycle information?

Click below to explore more details on WIN SOURCE:

- ⊖ [View LE87501NQC on WIN SOURCE](#)
- ⊖ [Microchip Technology](#) Information

## Optimize Your Supply Chain with WIN SOURCE Solutions

- ✓ Global Sourcing Solution
- ✓ Obsolete Management
- ✓ Cost Control Management
- ✓ Shortage Management
- ✓ Alternative Solution
- ✓ Excess Inventory Management