



**THE DATASHEET OF
ASL2500SHNY**



ASL2500SHN

Two phase boost converter

Rev. 3 — 26 October 2017

Product data sheet

1. Introduction

The ASL2500SHN is a highly integrated and flexible two-phase DC-to-DC boost converter IC. It has an SPI interface allowing control and diagnostic communication with an external microcontroller.

It is designed primarily for use in automotive LED lighting applications and provides an optimized supply voltage for ASLx415SHN Multi-channel LED Buck Driver.

2. General description

The ASL2500SHN has a fixed frequency peak current mode control with parabolic/non-linear slope compensation. It can operate with input voltages from 5.5 V to 40 V. It can be configured via SPI for output voltages of up to 80 V, to power the LED buck driver IC.

The ASL2500SHN is a two-phase converter which can have two independent outputs. The flexible driver can be configured, via the SPI interface, as a single output converter, or with multiple combinations of number of outputs and phases.

The ASL2500SHN boost converter can drive up to two external low-side N channel MOSFETs from an internally regulated adjustable supply. It can drive either logic or standard level MOSFETs.

The integrated SPI interface also allows for programming the supply under/over voltage range, output voltage range and DC-to-DC switching frequency. It enables the optimization of external components and flexibility for EMC design. This interface can also be used to provide diagnostic information such as the driver temperature.

Additional features include input under-voltage lockout and thermal shutdown when the junction temperature of the ASL2500SHN exceeds +175 °C.

The device is housed in a very small HVQFN32 pin package with an exposed thermal pad. It is designed to meet the stringent requirements of automotive applications. It is fully AEC Q100 grade 1 qualified. It operates over the -40 °C to +125 °C ambient automotive temperature range.



3. Features and benefits

- The ASL2500SHN is an automotive grade product that is AEC-Q100 grade 1 qualified.
- Operating ambient temperature range of $-40\text{ }^{\circ}\text{C}$ to $+125\text{ }^{\circ}\text{C}$
- Wide operating input voltage range from $+5.5\text{ V}$ to $+40\text{ V}$
- Output voltage programmable via SPI interface
- Multi-phase operation for higher power
- Up to two phases per output
- Up to two flexible output voltages with 3 % accuracy programmable via SPI
- Both output voltages can be controlled independently
- Fixed Frequency Operation via built-in oscillator
- Slope compensation to track the frequency and output voltage
- Programmable control loop compensation
- Fast high efficiency FET switching
- Programmable internal gate driver voltage regulator
- Gate switching is halted when overvoltage on output is detected
- Support both Logic Level and Standard Level FETs
- Low Electro Magnetic Emission (EME) and high Electro Magnetic Immunity (EMI)
- Output voltage monitoring
- Supply voltage measurement
- Control signal to enable the device
- Read-back programmed voltage and frequency range via SPI
- Junction temperature monitoring via SPI
- Small package outline HVQFN32
- Low quiescent current $<5\text{ }\mu\text{A}$ at $25\text{ }^{\circ}\text{C}$ when $\text{EN} = 0$

4. Applications

- Automotive LED lighting
 - ◆ Daytime running lights
 - ◆ Position or park light
 - ◆ Low beam
 - ◆ High beam
 - ◆ Turn indicator
 - ◆ Fog light
 - ◆ Cornering light

5. Ordering information

Table 1. Ordering information

Type number	Package		Version
	Name	Description	
ASL2500SHN	HVQFN32	plastic thermal enhanced very thin quad flat package; no leads; 32 terminals; body $5 \times 5 \times 0.85\text{ mm}$	SOT617-12

6. Block diagram

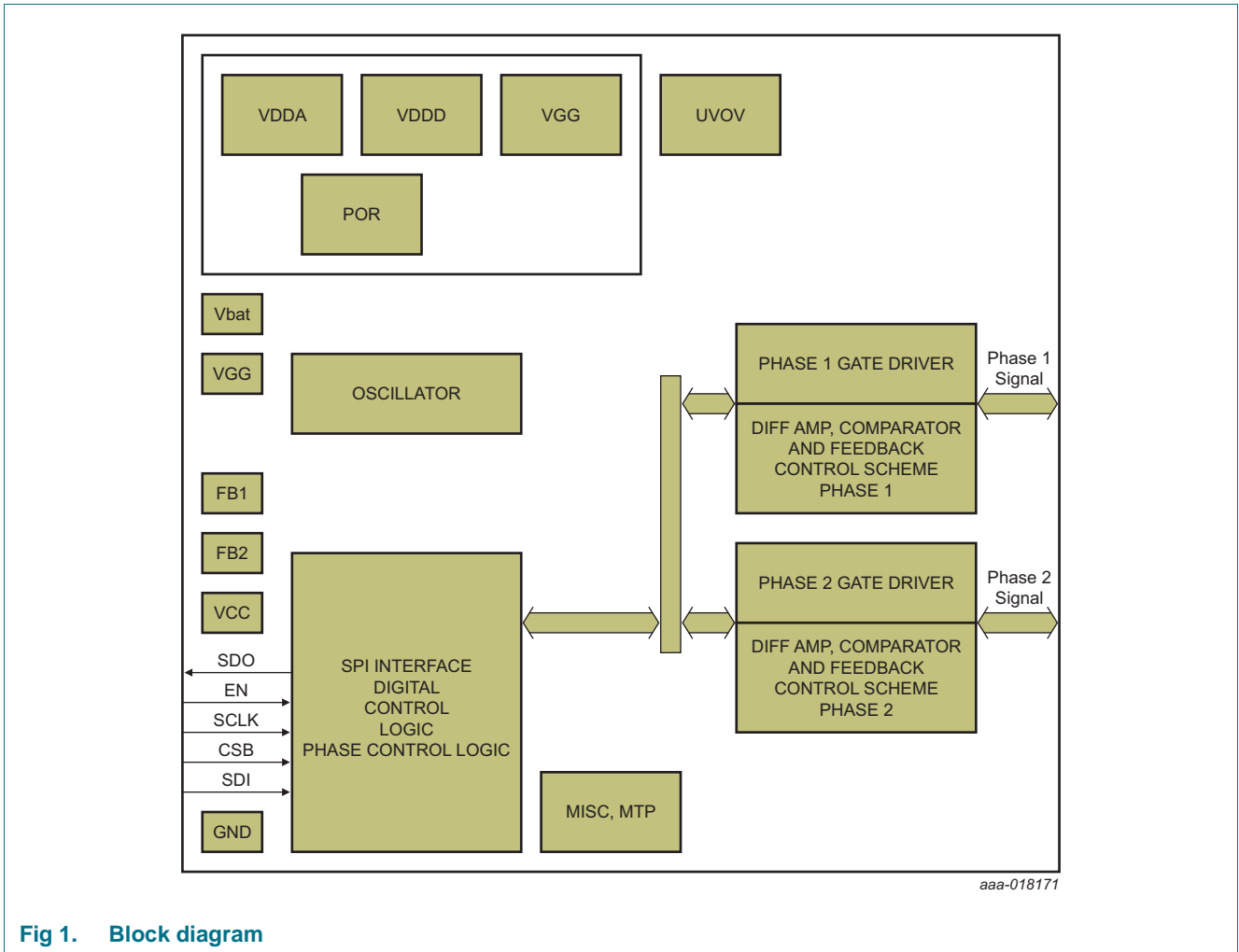
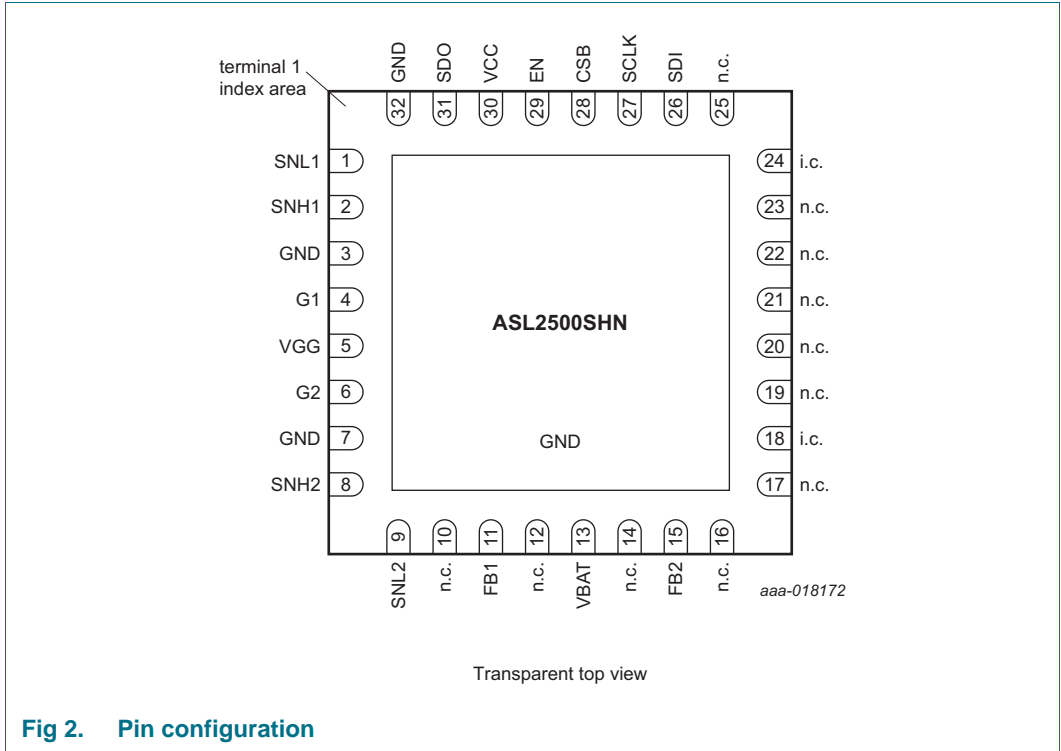


Fig 1. Block diagram

7. Pinning information

7.1 Pinning



7.2 Pin description

Table 2. Pin description^[1]

Symbol	Pin	Description
SNL1	1	phase 1 sense low
SNH1	2	phase 1 sense high
GND	3	ground
G1	4	phase 1 gate driver
VGG	5	gate driver supply
G2	6	not connected
GND	7	ground
SNH2	8	phase 2 sense high
SNL2	9	phase 2 sense low
n.c.	10	not connected
FB1 ^[2]	11	feedback, output 1
n.c.	12	not connected
VBAT	13	battery supply
n.c.	14	not connected
FB2 ^[2]	15	feedback, output 2

Table 2. Pin description^[1]...continued

Symbol	Pin	Description
n.c.	16	not connected
n.c.	17	not connected
i.c. ^[3]	18	internally connected
n.c.	19	not connected
n.c.	20	not connected
n.c.	21	not connected
n.c.	22	not connected
n.c.	23	not connected
i.c. ^[3]	24	internally connected
n.c.	25	not connected
SDI	26	SPI Data Input
SCLK	27	SPI Clock
CSB	28	SPI chip select
EN	29	enable signal
VCC	30	external 5 V supply
SDO	31	SPI Data Out
GND	32	chip ground

[1] n.c. pins are internally not connected and can be left floating or can be connected to any voltage level.

[2] See [Figure 4](#) and [Figure 14](#) for recommend connections for pin FB1 and pin FB2.

[3] Internally connected pins should be connected to GND.

For enhanced thermal and electrical performance, the exposed center pad of the package should be soldered to board ground (and not to any other voltage level).

8. Functional description

8.1 Operating modes

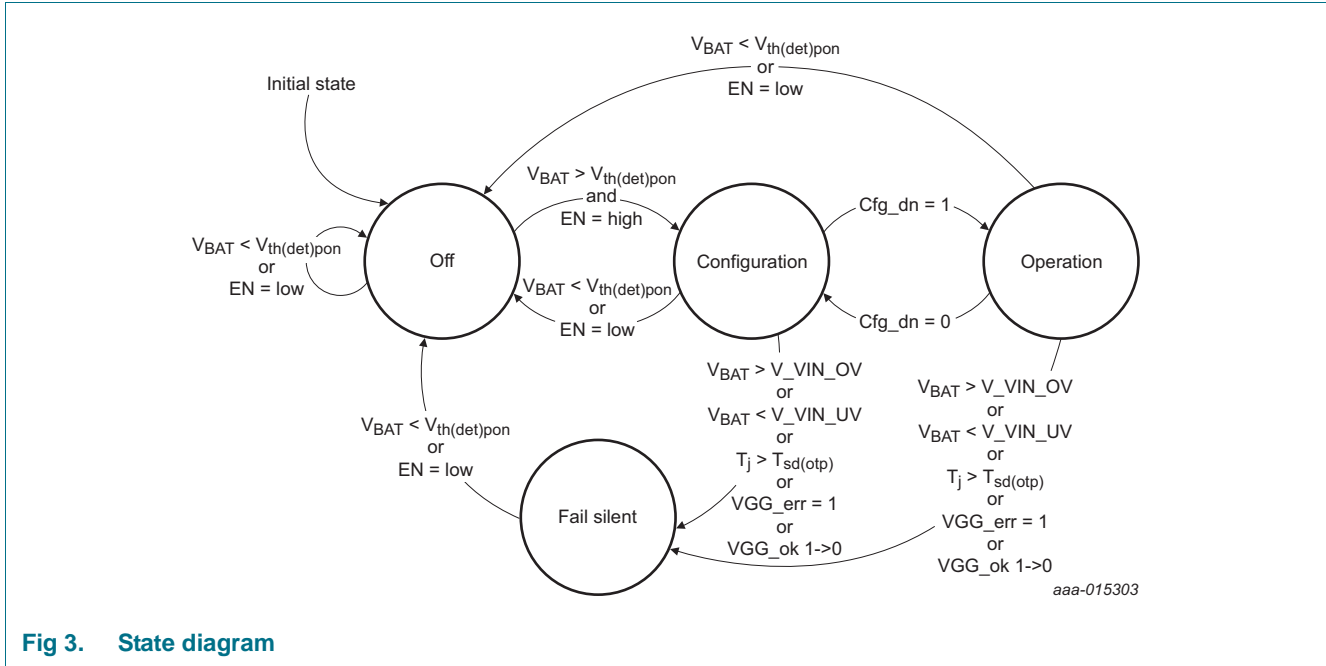


Fig 3. State diagram

Table 3. Operating modes

Mode	Control registers	Configuration registers	Diagnostic IC registers	VGG	Vout1	Remark
Off	n.a.	n.a.	n.a.	Off	Off	device is off, no communication possible
Configuration	Read/write	Read/write	Read	Off	Off	VGG is off if the output was not previously enabled
				According to register	Off	VGG stays on as soon as the output has been enabled
Operation	Read/write	Read	Read	Locked	According to register	configuration register is locked
Fail silent	Read/write	Read ^[1]	Read	Off	Off	communication possible, but the output is off; restart via EN possible.

[1] Setting the bit `cfg_dn` to 0 also grants write access to the configuration registers.

8.1.1 Off mode

The ASL2500SHN switches to off mode, if the input voltage drops below the power-on detection threshold ($V_{th(det)pon}$) or the EN pin is low.

The SPI interface and output are turned off when the ASL2500SHN is in the Off mode.

8.1.2 Configuration mode

The ASL2500SHN switches from off mode to configuration mode, as soon the input voltage is above the power-on detection threshold ($V_{th(det)pon}$) and pin EN is high.

The configuration registers can be set when the ASL2500SHN is in the Configuration mode.

8.1.3 Operation mode

The ASL2500SHN switches from configuration mode to operation mode, as soon as the configuration done bit is set. Once the bit is set, the configuration registers are locked and cannot be changed.

In operation mode, the output is available as configured via the SPI interface. Setting the bits Vout1en or Vout2en, starts up VGG. Once VGG is in regulation (signaled by bit VGG_ok), the output voltages Vout1 and Vout2 are turned on accordingly. When the converters are on, the battery monitoring functionality is available.

8.1.4 Fail silent mode

The ASL2500SHN switches from Operation mode to Fail silent mode, when the junction temperature exceeds the over temperature shutdown threshold or a VGG error is detected. It will also switch modes when the input voltage is below the under voltage detection threshold or above the over voltage detection threshold.

In Fail silent mode, all outputs are turned off and only the SPI interface remains operational.

8.2 Boost converter configuration

The ASL2500SHN is an automatic boost converter IC delivering constant DC-to-DC voltage to a load. It has a fixed frequency current-mode control for an enhanced stable operation.

The ASL2500SHN offers two phases. Each phase consists of a coil, a resistor, a MOSFET and a diode as shown in [Figure 4](#).

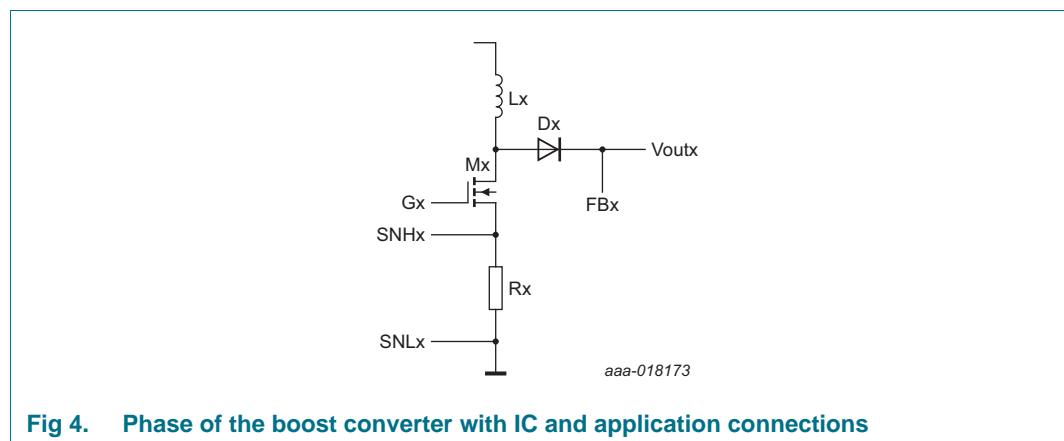


Fig 4. Phase of the boost converter with IC and application connections

To allow a flexible use of the ASL2500SHN, the configuration is based on virtual phases. These phases are then mapped to a real, physical phase according to the physical connections and conditions of the circuitry around the ASL2500SHN as shown in [Figure 5](#).

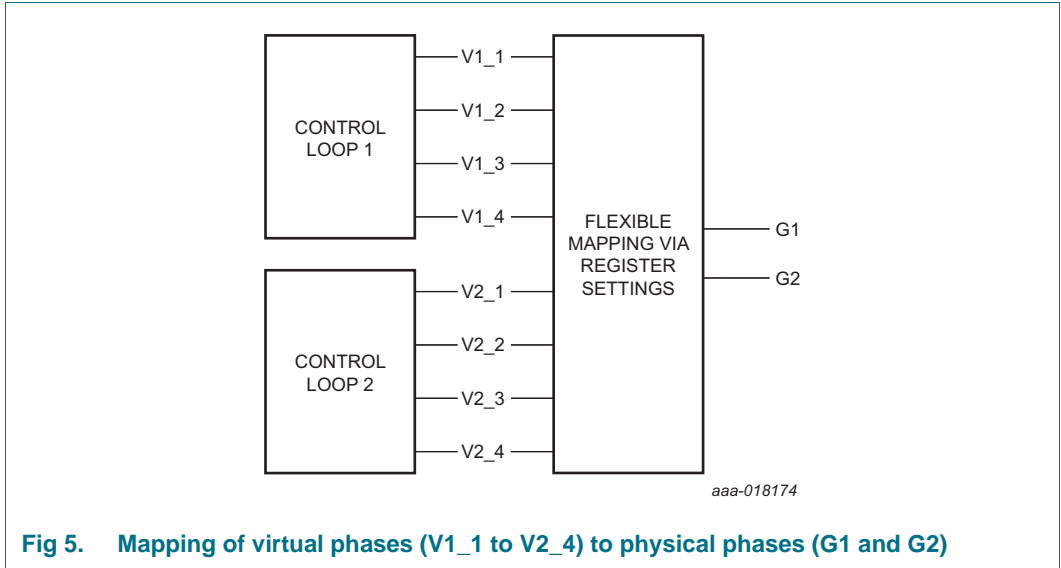


Fig 5. Mapping of virtual phases (V1_1 to V2_4) to physical phases (G1 and G2)

8.2.1 Configuration of the virtual phases

The ASL2500SHN can generate up to four internal phases for up to two virtual outputs. With the internal phase control enable registers, it can be selected, how many virtual phases are generated for the individual virtual outputs.

Table 4. Internal phase control enable for output 1, address 0x0Bh

Bit	Symbol	Description	Value	Function
7:4		reserved	0000	reserved; should remain cleared for future use
3	EN_P4_1	phase 4 enabled	0	phase 4 is off
			1	phase 4 is enabled
2	EN_P3_1	phase 3 enabled	0	phase 3 is off
			1	phase 3 is enabled
1	EN_P2_1	phase 2 enabled	0	phase 2 is off
			1	phase 2 is enabled
0	EN_P1_1	phase 1 enabled	0	phase 1 is off
			1	phase 1 is enabled

Table 5. Internal phase control enable for output 2, address 0x0Ch

Bit	Symbol	Description	Value	Function
7:4		reserved	0000	reserved; should remain cleared for future use
3	EN_P4_2	phase 4 enabled	0	phase 4 is off
			1	phase 4 is enabled
2	EN_P3_2	phase 3 enabled	0	phase 3 is off
			1	phase 3 is enabled
1	EN_P2_2	phase 2 enabled	0	phase 2 is off
			1	phase 2 is enabled
0	EN_P1_2	phase 1 enabled	0	phase 1 is off
			1	phase 1 is enabled

8.2.2 Association of physical phases to the output voltages

Each phase that the ASL2500SHN offers, must be associated to one of the outputs. Multiple combinations are possible here, e.g. all phases to one of the outputs, or 1 phase to one output and 1 phase to another one.

Table 6. Gate driver output, address 0x02h

Bit	Symbol	Description	Value	Function
7:2		reserved	0000000	reserved; should remain clear for future use
1	O_G2	association phase 2	0	phase 2 is connected to Vout1
			1	phase 2 is connected to Vout2
0	O_G1	association phase 1	0	phase 1 is connected to Vout1
			1	phase 1 is connected to Vout2

8.2.3 Association of connected phases to the internal phase generation

The physical phase that the ASL2500SHN offers, must be associated to one of the virtual phases of one of the outputs. It is established with the gate driver phase and phase select configuration registers.

Table 7. Gate driver phase, address 0x0Fh

Bit	Symbol	Description	Value	Function
7:2		reserved	000000	reserved; should remain clear for future use
1	O_GP2	association phase 2	0	phase 2 is connected to Vout1
			1	phase 2 is connected to Vout2
0	O_GP1	association phase 1	0	phase 1 is connected to Vout1
			1	phase 1 is connected to Vout2

Table 8. Phase select configuration, address 0x10h

Bit	Symbol	Description	Value	Function
7:4		reserved	0000	reserved; should remain clear for future use
3:2	Phsel2[1:0]	phase select gate driver 2	0x0h	routing from phase 1
			0x1h	routing from phase 2
			0x2h	routing from phase 3
			0x3h	routing from phase 4
1:0	Phsel1[1:0]	phase select gate driver 1	0x0h	routing from phase 1
			0x1h	routing from phase 2
			0x2h	routing from phase 3
			0x3h	routing from phase 4

8.2.4 Enabling of connected phases

The gate driver enable register is used to configure which of the phases is active.

Table 9. Gate driver enable, address 0x01h

Bit	Symbol	Description	Value	Function
7:2		reserved	0000000	reserved; should remain clear for future use
1	EN_G2	phase 2 enabled	0	phase 2 is off
			1	phase 2 is enabled
0	EN_G1	phase 1 enabled	0	phase 1 is off
			1	phase 1 is enabled

8.2.5 Configuration of the boost converter frequencies

The operation frequency of the boost converters can be set with via several SPI registers. To ensure a stable phase delay between the different phases, all timings are derived from the same oscillator. An integer number downscales the internal oscillator frequency for each regulation loop. The slower clock controls the off-time of a phase and the delay from one phase of the regulation loop to the next internal phase. The number of phases determinates finally when the phase is turned on again and so defines the operation frequency of the boost converter.

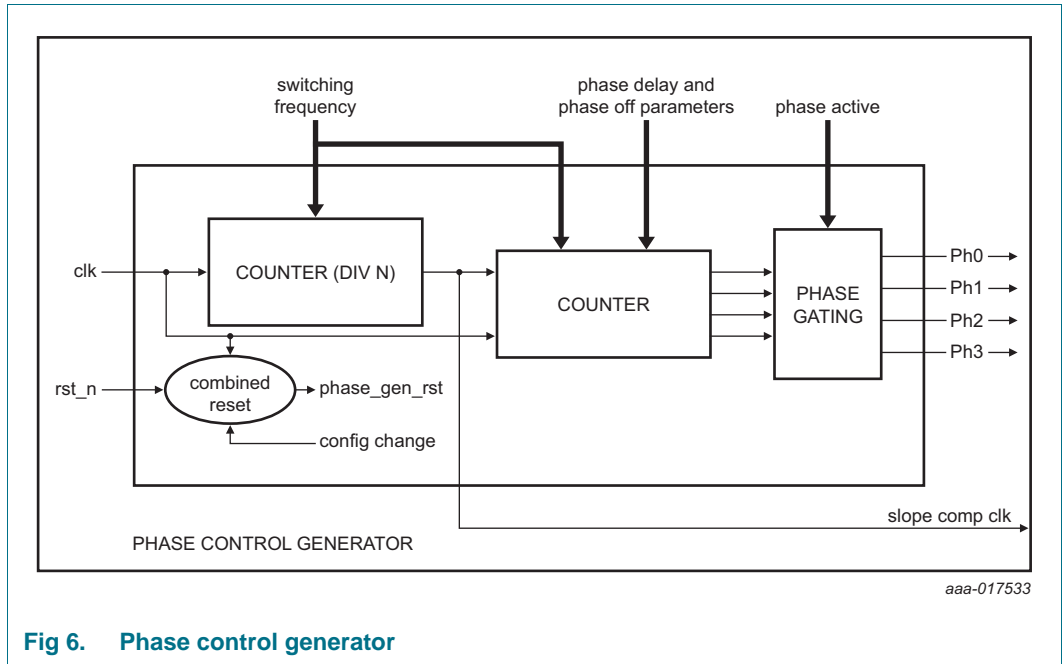


Fig 6. Phase control generator

Table 10. Clock divider for Vout1, address 0x09h

Bit	Symbol	Description	Value	Function
7:0	Clkdiv1 [7:0]	clock divider for output voltage 1	0x00h	clock is not divided
			...	clock is divided by clkdiv1[7:0]+1
			0xFFh	clock is divided by 256

Table 11. Clock divider for Vout2, address 0x0Ah

Bit	Symbol	Description	Value	Function
7:0	Clkdiv1 [7:0]	clock divider for output voltage 2	0x00h	clock is not divided
			...	clock is divided by clkdiv2[7:0]+1
			0xFFh	clock is divided by 256

Table 12. Phase-off time and phase delay of output 1, address 0x0Dh

Bit	Symbol	Description	Value	Function
7:3	Phdel1 [4:0]	delay to next phase of output1	0x0h	phase delay is 1 clock period of the divided clock
			...	phase delay is Phdel1[4:0]+1 clock period of the divided clock
			0x1Fh	phase delay is 32 clock periods of the divided clock
2:0	Phoff1 [2:0]	phase-off time of output1	0x0h	phase-off time is 1 clock period of the divided clock
			...	phase-off time is Phoff1[2:0] clock period of the divided clock
			0x7h	phase-off time is 7 clock periods of the divided clock

Table 13. Phase-off time and phase delay of output 2, address 0x0Eh

Bit	Symbol	Description	Value	Function
7:3	Phdel2 [4:0]	delay to next phase of output2	0x0h	phase delay is 1 clock period of the divided clock
			...	phase delay is Phdel2[4:0]+1 clock period of the divided clock
			0x1Fh	phase delay is 32 clock periods of the divided clock
2:0	Phoff2 [2:0]	phase-off time of output2	0x0h	phase-off time is 1 clock period of the divided clock
			...	phase-off time is Phoff2[2:0] clock period of the divided clock
			0x7h	phase-off time is 7 clock periods of the divided clock

Note: To obtain the best performance of the internal slope compensation, keep the settings of the delay between the phases as close to 32 as possible.

8.2.6 Control loop parameter setting

The ASL2500SHN is able to operate with a wide range of external components and offers wide range of operating frequencies. To achieve the maximum performance for each set of operation conditions, set the control loop parameters according to the external components and the operating frequency.

Table 14. Loop filter proportional configuration, address 0x11h

Bit	Symbol	Description	Value	Function
7:4	Prop2[3:0]	proportional factor output 2	0x0h	proportional factor output 2 is 0.05
			...	proportional factor output 2 is Prop2[3:0]*0.05+0.05
			0xFh	proportional factor output 2 is 0.8
3:0	Prop1[3:0]	proportional factor output 1	0x0h	proportional factor output 1 is 0.05
			...	proportional factor output 1 is Prop1[3:0]*0.05+0.05
			0xFh	proportional factor output 1 is 0.8

Table 15. Loop filter integral configuration, address 0x12h

Bit	Symbol	Description	Value	Function
7:4	Integ2[3:0]	integral factor output 2	0x0h	integral factor output 2 is 0.005
			...	integral factor output 2 is Integ2[3:0]*0.005+0.005
			0xFh	integral factor output 2 is 0.08
3:0	Integ1[3:0]	integral factor output 1	0x0h	integral factor output 1 is 0.005
			...	integral factor output 1 is Integ1[3:0]*0.005+0.005
			0xFh	integral factor output 1 is 0.08

Table 16. Slope compensation configuration, address 0x13h

Bit	Symbol	Description	Value	Function
7:4	Slpcmp2[3:0]	slope compensation factor output 2	0x0h	slope compensation factor output 2 = 112 kΩ
			0x1h	slope compensation factor output 2 = 84 kΩ
			0x2h	slope compensation factor output 2 = 70 kΩ
			0x4h	slope compensation factor output 2 = 56 kΩ
			0x8h	slope compensation factor output 2 = 28 kΩ
3:0	Slpcmp1[3:0]	slope compensation factor output 1	0x0h	slope compensation factor output 1 = 112 kΩ
			0x1h	slope compensation factor output 1 = 84 kΩ
			0x2h	slope compensation factor output 1 = 70 kΩ
			0x4h	slope compensation factor output 1 = 56 kΩ
			0x8h	slope compensation factor output 1 = 28 kΩ

Table 17. Current sense slope resistor configuration, address 0x14h

Bit	Symbol	Description	Value	Function
7:4				
3:2	Slpr2[1:0]	slope resistor configuration for gate driver 2	0x0h	2'b00 - 250 Ω
			0x1h	2'b01 - 500 Ω
			0x2h	2'b10 - 1000 Ω
			0x3h	2'b11 - 1500 Ω
1:0	Slpr1[1:0]	slope resistor configuration for gate driver 1	0x0h	2'b00 - 250 Ω
			0x1h	2'b01 - 500 Ω
			0x2h	2'b10 - 1000 Ω
			0x3h	2'b11 - 1500 Ω

8.3 Output voltage programmability

The ASL2500SHN provides the possibility to program the output voltage and output overvoltage protection of the output via the SPI interface.

8.3.1 Output voltage target programming

The target output voltage can be programmed via the Output voltage registers. As the ASL2500SHN is a boost converter, the output voltage cannot be lower than the supply voltage minus the drop of the converter diode (Dx in [Figure 4](#)).

Table 18. Output voltage 1 register, address 0x03h

Bit	Symbol	Description	Value	Function
7:0	V_Vout_1[7:0]	target voltage output 1	0x00h	output 1 is turned off
			...	target voltage output 1 = $0.3606 * V_Vout_1[7:0]$
			0xFFh	maximum target output voltage = 90 V

Table 19. Output voltage 2 register, address 0x04h

Bit	Symbol	Description	Value	Function
7:0	V_Vout_2[7:0]	target voltage output 2	0x00h	output 2 is turned off
			...	target voltage output 2 = 0.3606 * V_Vout_2[7:0]
			0xFFh	maximum target output voltage = 90 V

8.3.2 Output overvoltage protection programming

Due to fast changes in the supply or the output, it is possible that the output voltage is disturbed. To avoid high voltages that may result into damage of attached components, the ASL2500SHN offers a programmable overvoltage protection threshold. Once the output voltage is above this threshold, the gate pin of the output stops toggling. It results in a halt of the energy delivery to the output.

Once the output voltage recovers and is below the threshold again, the gate pin starts toggling again. The regulation loop regulates the output back to the target value.

For stable operation of the device, the limit voltage output register should be programmed around 5 V higher than the output voltage registers.

Table 20. Limit voltage output 1 register, address 0x05h

Bit	Symbol	Description	Value	Function
7:0	Vmax_Vout_1 [7:0]	limit voltage output 1	0x00h	output 1 is turned off
			...	target voltage output 1 = 0.3606 * Vmax_Vout_1[7:0]
			0xFFh	maximum output over voltage protection output 1 = 90 V

Table 21. Limit voltage output 2 register, address 0x06h

Bit	Symbol	Description	Value	Function
7:0	Vmax_Vout_2 [7:0]	limit voltage output 2	0x00h	output 2 is turned off
			...	target voltage output 2 = 0.3606 * Vmax_Vout_2[7:0]
			0xFFh	maximum output over voltage protection output 2 = 90 V

8.4 Coil peak current limitation

The ASL2500SHN offers a function to limit peak current inside the coil and therefore to limit the input current for the system. Furthermore this functionality can be used to avoid magnetic saturation of the coils. It also allows some soft start feature to be realized with this function.

With the Max phase current Vout1 register, the maximum peak current for the phase can be configured. Once the voltage between pins SNSLx and SNSHx reaches this level, the gate will be turned off until the next switching cycle. To avoid sub harmonic oscillations when the coil peak current limitation is becoming active, the slope compensation remains active. It reduces the coil peak current towards the end of the switching cycle to ensure stable operation of the system.

In order to avoid that this function interferes with the normal regulation, the limit should be placed well above the maximum expected current.

Table 22. Maximum phase current Vout1 register, address 0x07h

Bit	Symbol	Description	Value	Function
7:0	I_max[7:0]	coil current limitation for phases assigned to Vout1	0x00h	no current allowed
			...	maximum peak current = $(I_max_per_phase_Vout1 [7:0] * 1.8 V / 256 - 0.24 V) / R_{sense}$
			0x80	max allowed setting = $(128/255 * 1.8V - 0.24) V / R_{sense}$
			...	not allowed
			0xFFh	not allowed

Table 23. Maximum phase current Vout2 register, address 0x08h

Bit	Symbol	Description	Value	Function
7:0	I_max[7:0]	coil current limitation for phases assigned to Vout2	0x00h	no current allowed
			...	maximum peak current = $(I_max_per_phase_Vout2 [7:0] * 1.8 V / 256 - 0.24 V) / R_{sense}$
			0x80	max allowed setting = $(128/255 * 1.8V - 0.24) V / R_{sense}$
			...	not allowed
			0xFFh	not allowed

8.5 Enabling the output voltage

The ASL2500SHN provides two independent output voltages. In operation mode, the output voltages are turned on with the bit Vout1en and Vout2en.

As soon as one of the outputs is turned on, the VGG voltage regulator is turned on. After $t_{VGG_startup}$ the gate drivers start switching, provided the bit VGG_ok is set.

Table 24. Function control register, address 0x00h

Bit	Symbol	Description	Value	Function
7:4		reserved	0000	reserved; should remain cleared for future use
3	Cnt_CSB	count chip select time	0	chip select low count feature is disabled
			1	chip select low count feature is enabled
2	Vout2en	enable output 2	0	output 2 is turned off
			1	output 2 is turned on when the device is in operation mode
1	Vout1en	enable output 1	0	output 1 is turned off
			1	output 1 is turned on when the device is in operation mode
0	Cfg_dn	configuration done bit	0	device is in configuration mode - no configuration lock
			1	device is in operation mode - configuration lock is active

8.6 Frequency trimming

To ensure the ASL2500SHN operates inside the specified oscillator frequency range, it is mandatory to adjust the internal oscillator frequency of the device.

To measure the actual internal frequency, the device is measuring the time that the CSB pin is low during an SPI transfer. This time information can be used to adjust the oscillator frequency of the device. The recommended procedure for the time adjustment is shown in [Figure 7](#).

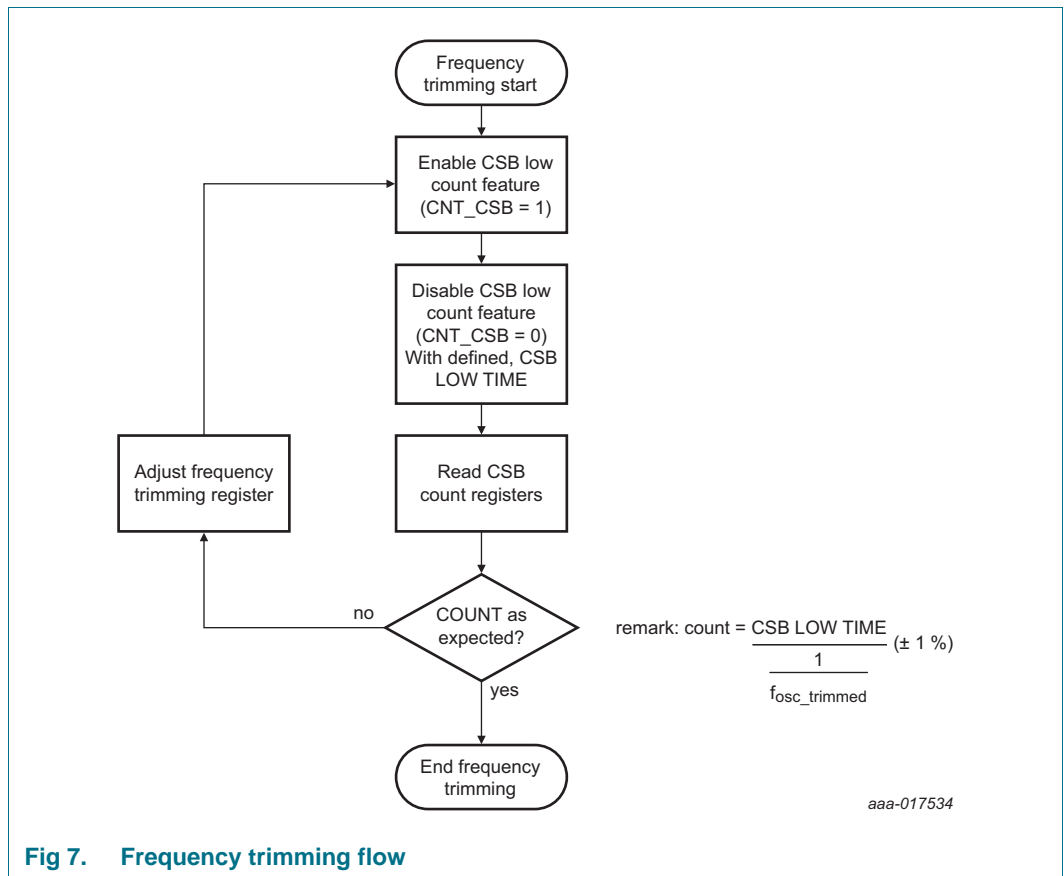


Fig 7. Frequency trimming flow

At the start of the sequence, the CSB low count feature is activated. It is done by setting the Cnt_CSB Bit high in the Frequency trimming control register (Bit 3; register 0x00h). The device now measures the time with its internal time domain each time the CSB pin is low. It makes this information available in the CSB count registers. To allow an exact stable reading, set the Cnt_CSB Bit low again with an accurately known CSB low time. Setting the bit low freezes the count registers. They store the last value, which in this case is the command that set the Cnt_CSB bit low.

The CSB count registers contain the count of the CSB low time of the last SPI command the CSB low count feature was enabled. CSB count register 1 contains the bits 7 to 0 of the counter, while the CSB count register 2 contains the bits 15:8.

Table 25. CSB count register 1, address 0x41h

Bit	Symbol	Description	Value	Function
7:0	CSB_cnt[7:0]	CSB count low	...	count value (bits 7:0)

Table 26. CSB count register 2, address 0x42h

Bit	Symbol	Description	Value	Function
7:0	CSB_cnt[15:8]	CSB count high	...	count value (bits 15:8)

The count, the CSB count register returns, should correspond to the real time of the CSB low time. 1 count should correspond with $1/f_{\text{osc_trimmed}}$ (see Table 44).

When the count that the CSB count registers return, deviates from the applied CSB low time, the device internal timing must be adjusted by modifying the frequency trimming register.

Table 27. Frequency trimming register, address 0x1Ch

Bit	Symbol	Description	Value	Function
7:6		reserved		not allowed
5:0	Freq_trim[5:0]	frequency trim bits	010001	default frequency –33.33 %
			010011	default frequency –30.56 %
			010101	default frequency –27.78 %
			010111	default frequency –25.00 %
			011001	default frequency –22.22 %
			011011	default frequency –19.44 %
			011101	default frequency –16.67 %
			011111	default frequency –13.89 %
			000001	default frequency –11.11 %
			000011	default frequency –8.33 %
			000101	default frequency –5.56 %
			000111	default frequency –2.78 %
			001001	default frequency
			001011	default frequency + 2.78 %
			001101	default frequency + 5.56 %
			001111	default frequency + 8.33 %
			110001	default frequency + 11.11 %
			110011	default frequency + 13.89 %
			110101	default frequency + 16.67 %
			110111	default frequency + 19.44 %
111001	default frequency + 22.22 %			
111011	default frequency + 25.00 %			
111101	default frequency + 27.78 %			
111111	default frequency + 30.56 %			
100001	default frequency + 33.33 %			
100011	default frequency + 36.11 %			
		others		not allowed

To ensure that the adjustment had the desired effect, restart the procedure and check the count with the new settings in the frequency trimming register.

When the device internal time matches the applied CSB low time, no further adjustment is needed and the trimming procedure is finished.

8.7 Gate voltage supply

The ASL2500SHN has an integrated linear regulator to generate the supply voltage of the gate drivers, which is internally connected to the pin VGG. The voltage generated by the linear regulator can be set via the VGG control register.

Table 28. VGG control register, address 0x15h

Bit	Symbol	Description	Value	Function
7:0	VGG[7:0]	supply voltage for gate driver	0x00h	not allowed
			...	not allowed
			0x5Dh	maximum output voltage = 10.04 V
			...	$(255 - \text{VGG}[7:0]) * 62 \text{ mV}$
			0xB7h	minimum output voltage = 4.46 V
			...	not allowed
			0xFFh	not allowed

The actual value of VGG can deviate from the target setting due to the tolerances of the VGG regulation loop (see $V_{o(\text{reg})\text{acc}}$ in [Table 43](#)).

When a setting between 0x00h and 0x5Dh is used, the resulting gate driver target voltage exceeds the limiting values of the IC. The limiting values of the VGG pin can also be violated with target settings of 0xA6h to 0x5Dh due to these tolerances. A violation of the limiting values with the actual VGG voltage must be avoided. To ensure that only allowed settings are used for the gate driver target voltage, an immediate read back of the programmed value is required after setting the registers.

If a setting between 0xFFh and 0xB7h is used, the device may not start up VGG. If the device operates, parameters of VGG are not guaranteed.

8.7.1 Gate voltage supply diagnostics

The diagnostic options for the gate voltage supply are:

- VGG available. Details can be found in [Section 8.10](#)
- VGG protection active. Details can be found in [Section 8.10](#)

8.8 Supply voltage monitoring

The ASL2500SHN is continuously measuring the voltage at pin Vbat, when at least one of the outputs is enabled and bit VGG_ok is set. It allows the system to monitor the supply voltage without additional external components. It also offers the option to put an automatic under- and/or overvoltage protection in place.

Note: The VIN_UV and VIN_OV bits in the status register use the battery voltage measurement. Consequently the VIN_UV and VIN_OV bits are only reliable when at least one output is enabled.

8.8.1 Battery voltage measurement

The ASL2500SHN continuously measures the voltage at pin Vbat. The measurement result is available in the battery voltage register when the output is enabled.

Table 29. Battery voltage register, address 0x45h

Bit	Symbol	Description	Value	Function
7:0	V_VBAT[7:0]	Battery voltage	0x00h	battery voltage = 0 V
			...	battery voltage = $0.3606 * V_VBAT[7:0]$
			0xFFh	maximum measurable battery voltage = 90 V

8.8.2 Undervoltage detection

The ASL2500SHN offers a variable undervoltage detection threshold. When the supply voltage drops below this threshold, the undervoltage detect bit is set, and fail silent mode is entered. The gate pin stops toggling and no more power is delivered to the output.

Table 30. Undervoltage threshold register, address 0x1Bh

Bit	Symbol	Description	Value	Function
7:0	V_VIN_UV[7:0]	undervoltage detection threshold	0x00h	undervoltage detection threshold = 0 V
			...	under voltage detection threshold = $0.3606 * V_VIN_UV[7:0]$
			0xFFh	maximum undervoltage detection threshold = 90 V

8.8.3 Overvoltage detection

The ASL2500SHN offers a variable overvoltage detection threshold. When the supply voltage rises above this threshold, the overvoltage detect bit is set, and fail silent mode is entered. The gate pin stops toggling and no more power is delivered to the output.

Table 31. Overvoltage threshold register, address 0x1Ah

Bit	Symbol	Description	Value	Function
7:0	V_VIN_OV[7:0]	overvoltage detection threshold	0x00h	overvoltage detection threshold = 0 V
			...	overvoltage detection threshold = $0.3606 * V_VIN_OV[7:0]$
			0xFFh	maximum overvoltage detection threshold = 90 V

8.9 Junction temperature information

The ASL2500SHN provides a measurement of the IC junction temperature. The measurement information is available in the junction temperature register.

Table 32. Junction temperature register, address 0x46h

Bit	Symbol	Description	Value	Function
7:0	T_junction[7:0]	junction temperature	...	device junction temperature below $-40\text{ }^{\circ}\text{C}$
			0x18h	device junction temperature = $-40\text{ }^{\circ}\text{C}$
			...	device junction temperature = $T_junction[7:0] * (215/106)\text{ }^{\circ}\text{C} - 88\text{ }^{\circ}\text{C}$
			0x82h	device junction temperature $\geq 175\text{ }^{\circ}\text{C}$

8.10 Diagnostic information

The diagnostic register contains useful information for diagnostic purposes. Details for each bit can be found in the following subchapters.

Table 33. Diagnostic register, address 0x5Fh

Bit	Symbol	Description	Value	Function
7	Vout1_ok	Vout1 regulated	0	Vout1 is deviating from the target value
			1	Vout1 is regulated to the target value
6	Vout2_ok	Vout2 regulated	0	Vout2 is deviating from the target value
			1	Vout2 is regulated to the target value
5	VGG_ok	VGG regulation OK	0	VGG is not available
			1	VGG is available
4	Tj_err	device temperature is too high	0	device temperature below $T_{sd(otp)}$
			1	device temperature above $T_{sd(otp)}$
3	VIN_UV	VIN under voltage	0	no under voltage at VIN detected
			1	under voltage at VIN detected
2	VIN_OV	VIN over voltage	0	no over voltage at VIN detected
			1	over voltage at VIN detected
1	SPI_err	SPI error	0	last SPI command was executed correctly
			1	last SPI command was erroneous and has been discarded
0	VGG_err	VGG error	0	VGG overload protection not active
			1	VGG overload protection has turned on and VGG is deactivated

8.10.1 Bit VIN_OV

The bit VIN_OV depends on the battery monitoring functionality as described in [Section 8.8](#). It indicates that the device has detected an overvoltage condition and entered fail silent mode. A write access to the diagnostic register or when the Off mode has been entered, clears the bit. Independent of the clearing of the bit, the device stays in fail silent mode.

8.10.2 Bit VIN_UV

The bit VIN_UV depends on the battery monitoring functionality as described in [Section 8.8](#). It indicates that the device has detected an undervoltage condition and entered fail silent mode. A write access to the diagnostic register or when the Off mode has been entered, clears the bit. Independent of the clearing of the bit, the device stays in fail silent mode.

8.10.3 Bit SPI_err

The device is evaluating all SPI accesses to the device for the correctness of the commands. When the command is not allowed, the SPI_err bit is set.

A write access to the diagnostic register or when the Off mode is entered, clears the bit.

8.10.4 Bit Tj_err

The bit Tj_err indicates that the junction temperature has exceeded the maximum allowable temperature, and the device has entered Fail silent mode. A write access to the diagnostic register, or once Off mode has been entered, clears the bit. The device stays in Fail silent mode irrespective of the clearing of the bit. After leaving the OFF mode (at IC start-up), it is possible that bit Tj_err is set. To avoid wrong diagnostics, clear the diagnostic register before it is evaluated.

8.10.5 Bit VGG_err

Bit VGG_err is set when the gate driver does not reach the VGG_ok_window (when V_{VGG} is within range) within the regulator voltage start-up error time. Once bit VGG_err is set, it indicates that an error on the gate driver has been detected and the device has entered Fail silent mode. A write access to the diagnostic register, or once Off mode has been entered, clears the bit. The device stays in Fail silent mode irrespective of the clearing of the bit.

8.10.6 Bit VGG_ok

The bit VGG_ok indicates that the gate driver is regulated to the target voltage and allows the gate drivers to drive the gate driver pins. If the gate driver is outside the VGG_ok window after $t_{startup}$, and V_{VGG} is within range, the device clears VGG_ok bit and enters Fail silent mode.

8.10.7 Bit Vout1_ok and Vout2_ok

The bits Vout1_ok and Vout2_ok indicate whether the output voltage is regulated to the target value or deviating from the target value. The bits are set as soon as the corresponding output is within the Vout_ok window (when V_O is within the range) for more than $t_{ftr(ov)}$. The bits are cleared when the corresponding output is outside the Vout_ok window for more than $t_{ftr(ov)}$.

8.11 SPI

The ASL2500SHN uses an SPI interface to communicate with an external microcontroller. The SPI interface can be used for setting the LEDs current, reading and writing the control register.

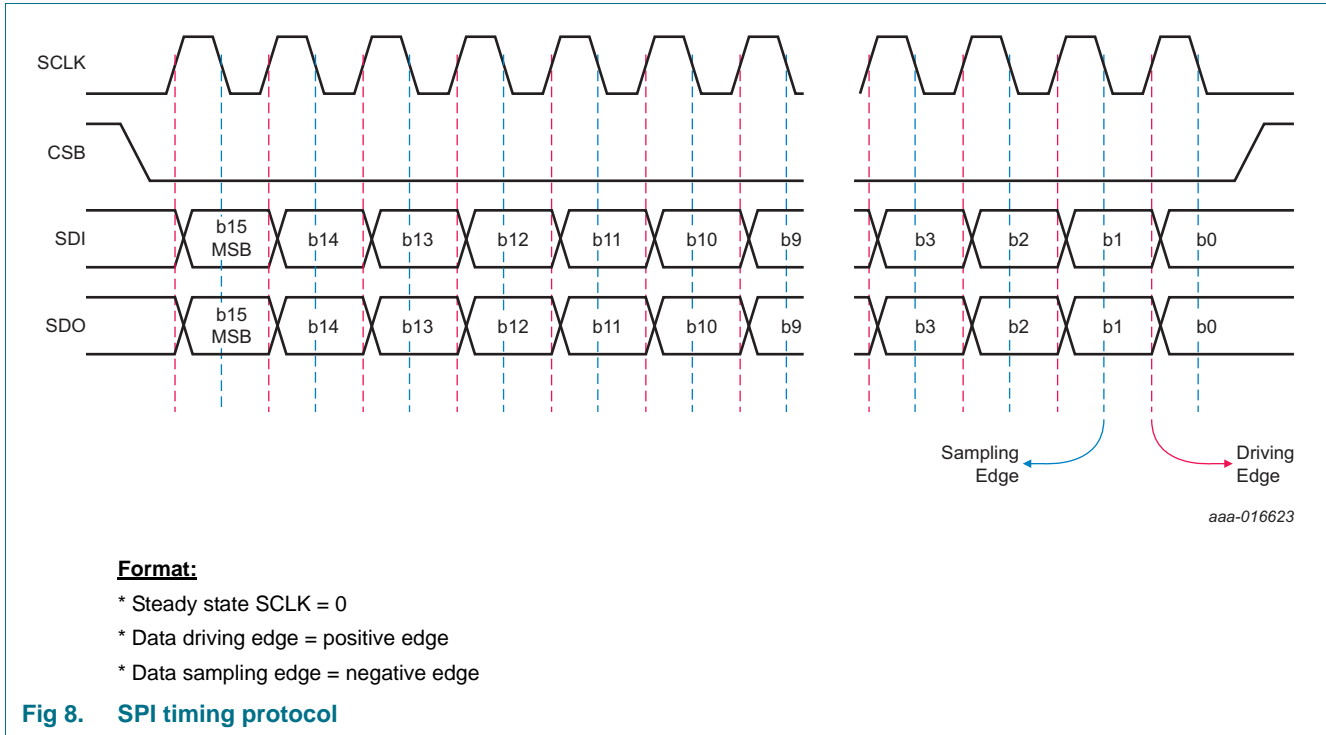
8.11.1 Introduction

The Serial Peripheral Interface (SPI) provides the communication link with the microcontroller, supporting multi-slave operations. The SPI is configured for full duplex data transfer, so status information is returned when new control data is shifted in. The interface also offers a read-only access option, allowing the application to read back the registers without changing the register content.

The SPI uses four interface signals for synchronization and data transfer:

- CSB - SPI chip select; active LOW
- SCLK - SPI clock - default level is LOW due to low-power concept
- SDI - SPI data input
- SDO - SPI data output - floating when pin CSB is HIGH

Bit sampling is performed on the falling clock edge and data is shifted on the rising clock edge as illustrated in [Figure 8](#).



The data bits of the ASL2500SHN are arranged in registers of one-byte length. Each register is assigned to a 7-bit address. For writing into a register, 2 bytes must be sent to the LED driver. The first byte is an identifier byte that consists of the 7-bit address and one read-only bit. For writing, the read-only bit must be set to 0. The second byte is the data that is written into the register. So an SPI access consists of at least 16 bit.

[Figure 9](#) together with [Table 34](#) and [Table 35](#) demonstrate the SPI frame format.

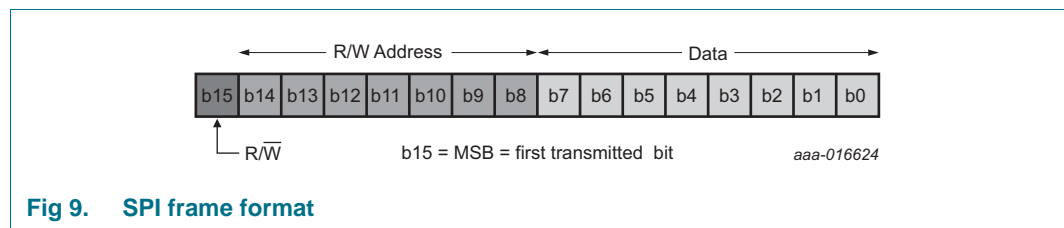


Table 34. SPI frame format for a transition to the device

Bit	Symbol	Description	Value	Function
15	b15	R/W bits	0	write access
			1	read access
14:8	b14:8	address bits	...	selected address
7:0	b7:0	data bits	...	transmitted data

Table 35. SPI frame format for a transition from the device

Bit	Symbol	Description	Value	Function ^[1]
8:15	b8:15	diagnostic register	...	content of diagnostic register
7:0	b7:0	data bits	...	when previous command was a valid read command, content of the register that is supposed to be read
			...	when previous command was a valid write command, new content of the register that was supposed to be written

[1] The first SPI command after leaving the Off mode, will return 0x00h.

The master initiates the command sequence. The sequence begins with CSB pin pulled low and lasts until it is asserted high.

The ASL2500SHN also tolerates SPI accesses with a multiple of 16 bits. It allows a daisy chain configuration of the SPI.

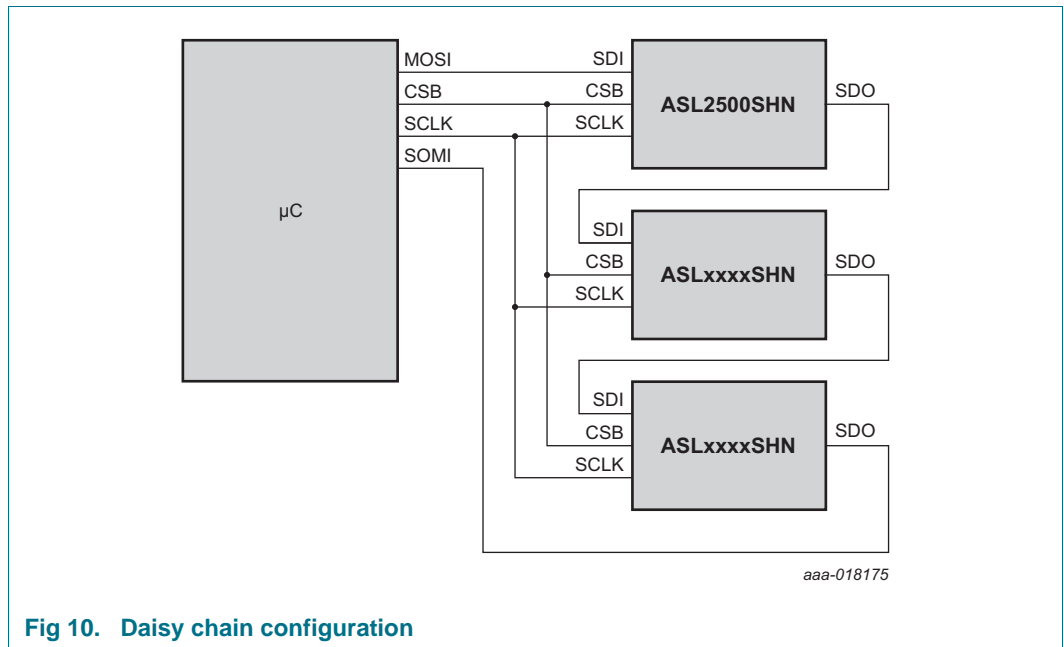


Fig 10. Daisy chain configuration

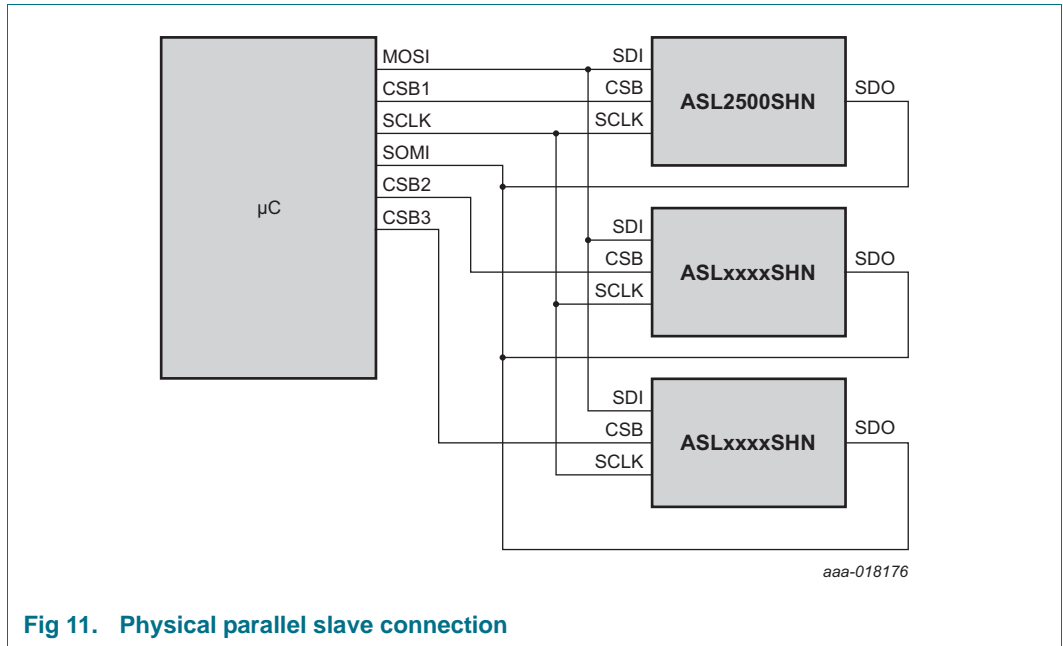


Fig 11. Physical parallel slave connection

During the SPI data transfer, the identifier byte and the actual content of the addressed registers is returned via the SDO pin. The same happens for pure read accesses. Here the read-only bit must be set to 1. The content of the data bytes that are transmitted to the ASL2500SHN is ignored.

The ASL2500SHN monitors the number of data bits that are transmitted. If the number is not 16, or a multiple of 16, then a write access is ignored and the SPI error indication bit is set.

8.11.2 Typical use case illustration (Write/Read)

Consider a daisy chain scheme with one master connected to 4 slaves in Daisy chain fashion. The following commands are performed during one sequence (first sequence).

- Write data 0xFF to register 0x1A Slave 1
- Read from register 0x02 of Slave 2
- Write data 0xAF to register 0x2F of Slave 3
- Read from register 0x44 of Slave 4

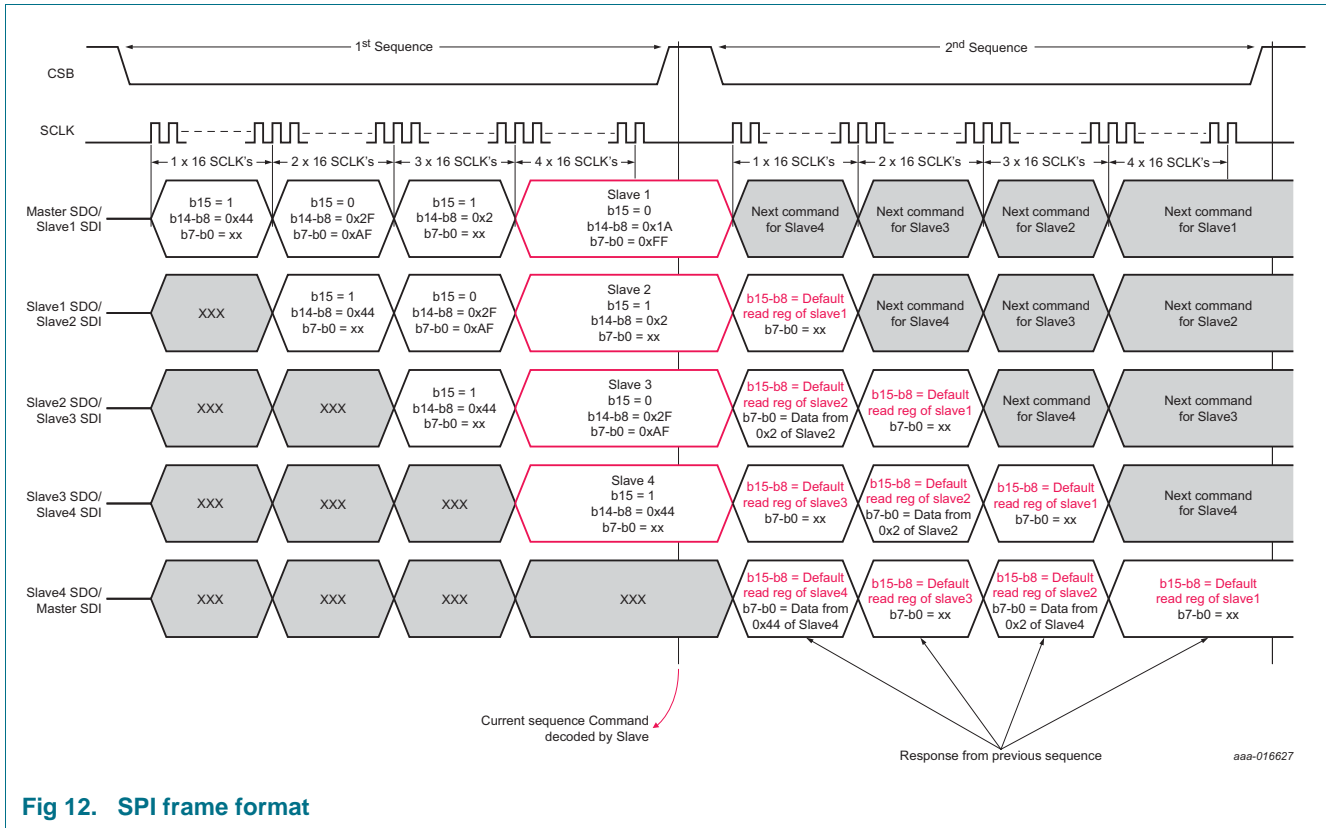


Fig 12. SPI frame format

8.11.3 Diagnostics for the SPI interface

The device is evaluating all SPI access to the device for the correctness of the commands. When the command is not allowed, the SPI_err bit is set. The conditions that are considered as erratic accesses are:

- SPI write is attempted to a read-only location or reserved location
- SPI write is attempted during operation to a configuration register
- SPI read is attempted from a reserved location
- SPI command does not consist of a multiple of 16 clock counts

If an SPI access is considered to be erratic, no modifications to a SPI register are made. The access after the erratic SPI command returns the diagnostic register and zero in the data field.

For details about the SPI_err bit, see [Section 8.10.3](#).

8.11.4 Register map

The addressable register space amounts to 128 registers from 0x00 to 0x7F. They are separated in two groups as shown in [Table 36](#). The register mapping is shown in [Table 37](#), [Table 38](#), [Table 39](#) and [Table 40](#). The functional description of each bit can be found in the dedicated chapter.

Table 36. Register space grouping

Address range	Description	Content
0x00 to 0x1F	control registers	control register information
0x20 to 0x7F	diagnostic registers	diagnostic information

8.11.4.1 Control registers

[Table 37](#) provides an overview of the control registers and their reset value.

Table 37. Control register group overview

Address	Name	Reset value	7	6	5	4	3	2	1	0
0x00h	function control	0x00h	-	-	-	-	Cnt_CSB	Vout2en ^[1]	Vout1en ^[1]	Cfg_dn
0x01h	gate driver enable	0x00h	-	-	-	-	-	-	EN_G2 ^[2]	EN_G1 ^[2]
0x03h	target voltage output 1	0x00h	V_Vout_1[7:0]							
0x04h	target voltage output 2	0x00h	V_Vout_2[7:0]							
0x05h	limit voltage output 1	0x00h	Vmax_Vout_1[7:0]							
0x06h	limit voltage output 2	0x00h	Vmax_Vout_2[7:0]							
0x07h	maximum phase current Vout1	0x46h	I_max_per_phase_Vout1[7:0]							
0x08h	maximum phase current Vout2	0x46h	I_max_per_phase_Vout2[7:0]							
0x1Ch	frequency trimming register	0x09h	-	-	Freq_trim[5:0]					

[1] Bit is locked with bit Cfg_dn is high. When bit Cfg_dn is low, bits can be changed. Read is always possible.

[2] Individual gate drivers that are enabled when Cfg_dn and VGG_ok are set high, can be turned on and off during operation of the system. Gate drivers, disabled when bits Cfg_dn and VGG_ok are set high, remain off, even when the gate enable bits are set high later.

8.11.4.2 Configuration registers

[Table 38](#) provides an overview of the configuration registers. The configuration registers inside the control block can only be written in configuration mode. In the other modes, this register can only be read.

Table 38. Configuration register group overview

Address	Name	Reset value	7	6	5	4	3	2	1	0
0x02h	gate driver output	0x00h	-	-	-	-	-	-	O_G2	O_G1
0x09h	clock divider for output 1	0x0Fh	Clkdiv1[7:0]							
0x0Ah	clock divider for output 2	0x0Fh	Clkdiv2[7:0]							
0x0Bh	internal phases output 1	0x0Fh	-	-	-	-	EN_P4_1	EN_P3_1	EN_P2_1	EN_P1_1
0x0Ch	internal phases output 2	0x0Fh	-	-	-	-	EN_P4_2	EN_P3_2	EN_P2_2	EN_P1_2
0x0Dh	phase off and delay output 1	0x39h	Phdel1				Phoff1			
0x0Eh	phase off and delay output 2	0x39h	Phdel2				Phoff2			
0x0Fh	gate driver phase	0x00h	-	-	-	-	-	-	O_GP2	O_GP1
0x10h	phase selection configuration	0xE4h	-		-		Phsel2		Phsel1	
0x11h	loop filter proportional configuration	0x00h	Prop2[3:0]				Prop1[3:0]			
0x12h	loop filter integral configuration	0x00h	Integ2[3:0]				Integ1[3:0]			
0x13h	slope compensation configuration	0x88h	Slpcmp2[3:0]				Slpcmp1[3:0]			
0x14h	current sense slope resistor configuration	0x00h	-		-		Slpr2[1:0]		Slpr1[1:0]	
0x15h	VGG control	0xFFh	VGG[7:0]							
0x1Ah	over voltage detection threshold	0xFFh	V_VIN_OV[7:0]							
0x1Bh	under voltage detection threshold	0x00h	V_VIN_UV[7:0]							

8.11.4.3 Internal registers

The ASL2500SHN uses the SPI registers to control some internal functions. In order to avoid any unintended behavior of the device, do not modify these registers but leave them all at their default value.

Table 39. Internal register overview

Address	Name	Reset value	7	6	5	4	3	2	1	0
0x19h	Internal 1	0x82h	-	-	-	-	-	-	-	-
0x25h	Internal 2	0x27h	-	-	-	-	-	-	-	-
0x26h	Internal 3	0x3Bh	-	-	-	-	-	-	-	-
0x2Fh	Internal 4	0xE8h	-	-	-	-	-	-	-	-
0x30h	Internal 5	0x09h	-	-	-	-	-	-	-	-

8.11.4.4 Diagnostic registers

The ASL2500SHN provides diagnostic data via some SPI registers. These registers are read only, but error bits can be cleared via a write access to the register.

Table 40. Diagnostic register group overview

Address	Name	7	6	5	4	3	2	1	0	
0x41h	CSB count low	CSB_cnt[7:0]								
0x42h	CSB count high	CSB_cnt[15:8]								
0x45h	battery voltage	V_VBAT[7:0]								
0x46h	junction temperature	T_junction[7:0]								
0x5Fh	diagnostic Register	Vout1_ok	Vout2_ok	VGG_ok	Tj_err	VIN_UV	VIN_OV	SPI_err	VGG_err	

9. Limiting values

Table 41. Limiting values

In accordance with the Absolute Maximum Rating System (IEC 60134).

Symbol	Parameter	Conditions	Min	Max	Unit
V _{BAT}	battery supply voltage	EN = low	-0.3	+60	V
		EN = high	-0.3	+40	V
V _{VCC}	voltage on pin VCC		-0.3	+5.5	V
V _{GND}	ground supply voltage	voltage between ground pins	-0.6	+0.6	V
V _{FBx}	voltage on feedback pins	FB1 and FB2	-0.3	+90	V
V _O	output voltage	programmed target voltage according to registers 0x03h and 0x04h	10	+80	V
V _{I(dig)}	digital input voltage	voltage on digital pins SDO, SDI, CSB, SCLK and EN	-0.3	+5.5	V
V _{VGG}	voltage on pin VGG		-0.3	+10	V
V _{sense}	sense voltage	voltage on sense pins SNH1, SNL1, SNH2 and SNL2	-0.3	+0.3	V
V _{Gx}	voltage on gate pins	G1 and G2	-0.3	+10	V
V _{ic}	voltage on internally connected pins	i.c.	-0.3	+1.8	V
T _j	junction temperature		-40	+175	°C
T _{stg}	storage temperature		-55	+175	°C
V _{ESD}	electrostatic discharge voltage	HBM ^[1]			
		at any pin	-2	+2	kV
		at pin VBAT with 100 nF at pin	-6	+6	kV
		CDM ^[2]			
	at any pin	-500	+500	V	

[1] Human Body Model (HBM): according to AEC-Q100-002 (100 pF, 1.5 kΩ)

[2] Charged Device Model (CDM): according to AEC-Q100-011 (field induced charge; 4 pF).

10. Thermal characteristics

Table 42. Thermal characteristics

Symbol	Parameter	Conditions	Typ	Unit
R _{th}	thermal resistance	HVQFN32 package JEDEC ^[1]	37	K/W

[1] According to JEDEC JESD51-2, JESD51-5 and JESD51-7 at natural convection on 2s2p board. Board with two inner copper layers (thickness: 35 μm) and thermal via array under the exposed pad connected to the first inner copper layer.

11. Static characteristics

Table 43. Static characteristics

Min and Max values are specified for the following conditions: $V_{BAT} = 5.5\text{ V to }40\text{ V}$, $V_{EN} = 4.5\text{ V to }5.5\text{ V}$, $V_{VCC} = 4.5\text{ V to }5.5\text{ V}$ and $T_j = -40\text{ °C to }+175\text{ °C}$ [1]. All voltages are defined with respect to ground, positive currents flow into the IC. Typical values are given at $V_{VIN} = 40\text{ V}$, $V_{EN} = 5\text{ V}$, $V_{VCC} = 5\text{ V}$ and $T_j = 25\text{ °C}$ unless otherwise specified.

Symbol	Parameter	Conditions	Min	Typ	Max	Unit
Supply pin Vbat						
I _{DD}	supply current	operating; no load on VGG; Gate pins low; one phase; one output	5	13	-	mA
		operating; no load on VGG; Gate pins low	-	20	-	mA
I _{off}	off-state current	EN = low	-	-	5	μA
V _{th(det)pon}	power-on detection threshold voltage		-	-	4.5	V
Supply pin VCC						
I _{VCC}	supply current on pin VCC	operating	-	-	250	μA
Pin EN						
I _{EN}	current on pin EN	operating	-	-	2	mA
Output voltage						
V _{O(acc)}	output voltage accuracy	Vout1: operating accuracy 1	-0.03 × Vout1 - 0.721	-	+0.03 × Vout1 + 0.721	V
		Vout2: operating accuracy 2	-0.03 × Vout2 - 0.721	-	+0.03 × Vout2 + 0.721	V
V _O	output voltage	bit Vout1_ok/Vout2_ok is set when V _O is within the range regarding the target value	-5.4	-	+2.4	V
Regulated voltage output						
V _{VGG}	voltage on pin VGG	$V_{BAT} \geq V_{VGG} + V_{do(reg)VGG}$	4.46	-	10.04	V
		bit VGG_ok is set when V _{VGG} is within the range regarding the target value	-2.4	-	+2.4	V
V _{do(reg)VGG}	regulator dropout voltage on pin VGG	I _{reg} ≤ 50 mA; regulator in saturation	-	0.5	1.0	V
		I _{reg} ≤ 160 mA; regulator in saturation	-	1.6	3.2	V
V _{reg(acc)VGG}	regulator voltage accuracy on pin VGG	25 °C to T _{j(max)}	-5	-	+5	%
		-40 °C to +25 °C	-7	-	+5	%
Serial peripheral interface inputs; pins SDI, SCLK and CSB						
V _{th(sw)}	switching threshold voltage		0.3 × V _{VCC}	-	0.7 × V _{VCC}	V
R _{pd(int)SCLK}	internal pull-down resistance on pin SCLK		40	-	80	kΩ
R _{pd(int)CSB}	internal pull-down resistance on pin CSB		40	-	80	kΩ
R _{pd(int)SDI}	internal pull-down resistance on pin SDI		40	-	80	kΩ

Table 43. Static characteristics ...continued

Min and Max values are specified for the following conditions: $V_{BAT} = 5.5\text{ V to }40\text{ V}$, $V_{EN} = 4.5\text{ V to }5.5\text{ V}$, $V_{VCC} = 4.5\text{ V to }5.5\text{ V}$ and $T_j = -40\text{ }^\circ\text{C to }+175\text{ }^\circ\text{C}$ [1]. All voltages are defined with respect to ground, positive currents flow into the IC. Typical values are given at $V_{VIN} = 40\text{ V}$, $V_{EN} = 5\text{ V}$, $V_{VCC} = 5\text{ V}$ and $T_j = 25\text{ }^\circ\text{C}$ unless otherwise specified.

Symbol	Parameter	Conditions	Min	Typ	Max	Unit
Serial peripheral interface data output; pin SDO						
V_{OH}	HIGH-level output voltage	$I_{OH} = -4\text{ mA}$; $V_{VCC} = 4.5\text{ V to }5.5\text{ V}$	$V_{VCC} - 0.4$	-	-	V
V_{OL}	LOW-level output voltage	$I_{OL} = 4\text{ mA}$; $V_{VCC} = 4.5\text{ V to }5.5\text{ V}$	-	-	0.4	V
I_{LOZ}	OFF-state output leakage current	$V_{CSB} = V_{VCC}$; $V_O = 0\text{ V to }V_{VCC}$	-5	-	+5	μA
Temperature protection						
ΔT_j	junction temperature variation	$T_j = 130\text{ }^\circ\text{C}$	-20	-	+20	$^\circ\text{C}$
$T_{sd(otp)}$	overtemperature protection shutdown temperature		150	175	200	$^\circ\text{C}$
Vbat monitoring						
ΔV_{BAT}	battery voltage accuracy	accuracy of V_{BAT} measurement	$-0.035 \times V_{BAT} - 0.3606$	-	$+0.035 \times V_{BAT} + 0.3606$	V

[1] All parameters are guaranteed over the virtual junction temperature range by design. Factory testing uses correlated test conditions to cover the specified temperature and power supply voltage range.

12. Dynamic characteristics

Table 44. Dynamic characteristics

Min and Max values are specified for the following conditions: $V_{BAT} = 5.5\text{ V to }40\text{ V}$, $V_{EN} = 4.5\text{ V to }5.5\text{ V}$, $V_{VCC} = 4.5\text{ V to }5.5\text{ V}$ and $T_j = -40\text{ }^\circ\text{C to }+175\text{ }^\circ\text{C}$ [1]. All voltages are defined with respect to ground, positive currents flow into the IC. Typical values are given at $V_{VIN} = 40\text{ V}$, $V_{EN} = 5\text{ V}$, $V_{VCC} = 5\text{ V}$ and $T_j = 25\text{ }^\circ\text{C}$ unless otherwise specified.

Symbol	Parameter	Conditions	Min	Typ	Max	Unit
f_{DCDC}	DC-to-DC converter frequency		125	-	700	kHz
$f_{(DCDC)acc}$	DC-to-DC converter frequency accuracy	operating, trimmed	-5	-	+5	%
f_{osc}	oscillator frequency	internal oscillator, untrimmed	130	-	250	MHz
		target frequency for trimmed operation	-	180	-	MHz
$t_{startup}$	start-up time	EN high until SPI is operational	-	-	150	μs
Serial peripheral interface timing; pins CSB, SCLK, SDI and SDO						
$f_{clk(int)}/f_{SPI}$	Internal clock frequency to SPI clock frequency ratio	ratio between internal clock and SPI clock	-	20:1	-	1
$t_{cy(clk)}$	clock cycle time		250	-	-	ns
$t_{SPILEAD}$	SPI enable lead time		50			ns
t_{SPILAG}	SPI enable lag time		50	-	-	ns
$t_{clk(H)}$	clock HIGH time		125			ns
$t_{clk(L)}$	clock LOW time		125	-	-	ns
$t_{su(D)}$	data input set-up time		50			ns
$t_{h(D)}$	data input hold time		50	-	-	ns
$t_{v(Q)}$	data output valid time	pin SDO; $C_L = 20\text{ pF}$	-		130	ns

Table 44. Dynamic characteristics ...continued

Min and Max values are specified for the following conditions: $V_{BAT} = 5.5\text{ V to }40\text{ V}$, $V_{EN} = 4.5\text{ V to }5.5\text{ V}$, $V_{VCC} = 4.5\text{ V to }5.5\text{ V}$ and $T_j = -40\text{ }^\circ\text{C to }+175\text{ }^\circ\text{C}$ [1]. All voltages are defined with respect to ground, positive currents flow into the IC. Typical values are given at $V_{VIN} = 40\text{ V}$, $V_{EN} = 5\text{ V}$, $V_{VCC} = 5\text{ V}$ and $T_j = 25\text{ }^\circ\text{C}$ unless otherwise specified.

Symbol	Parameter	Conditions	Min	Typ	Max	Unit
$t_{WH(S)}$	chip select pulse width HIGH		250	-		ns
Gate driver characteristics for pin G1 and pin G2						
$t_{ch(G)}$	gate charge time	20 % to 80 %; $V_{VGG} = 7.5\text{ V}$; $C_{gate} = 2000\text{ pF}$	-	-	30	ns
$t_{dch(G)}$	gate discharge time	80 % to 20 %; $V_{VGG} = 7.5\text{ V}$; $C_{gate} = 2000\text{ pF}$	-	-	14	ns
Regulated voltage						
$t_{err(startup)}$	start-up error time	of VGG; $f_{osc} = 180\text{ MHz}$	-	2.5	-	ms
t_{err}	error detection time	for VGG during operation; $f_{osc} = 180\text{ MHz}$	-	31.5	-	μs
$t_{ftr(ov)}$	output voltage filter time	for bit Vout1_ok and Vout2_ok; $f_{osc} = 180\text{ MHz}$	-	31.5	-	μs

[1] All parameters are guaranteed over the virtual junction temperature range by design. Factory testing uses correlated test conditions to cover the specified temperature and power supply voltage range.

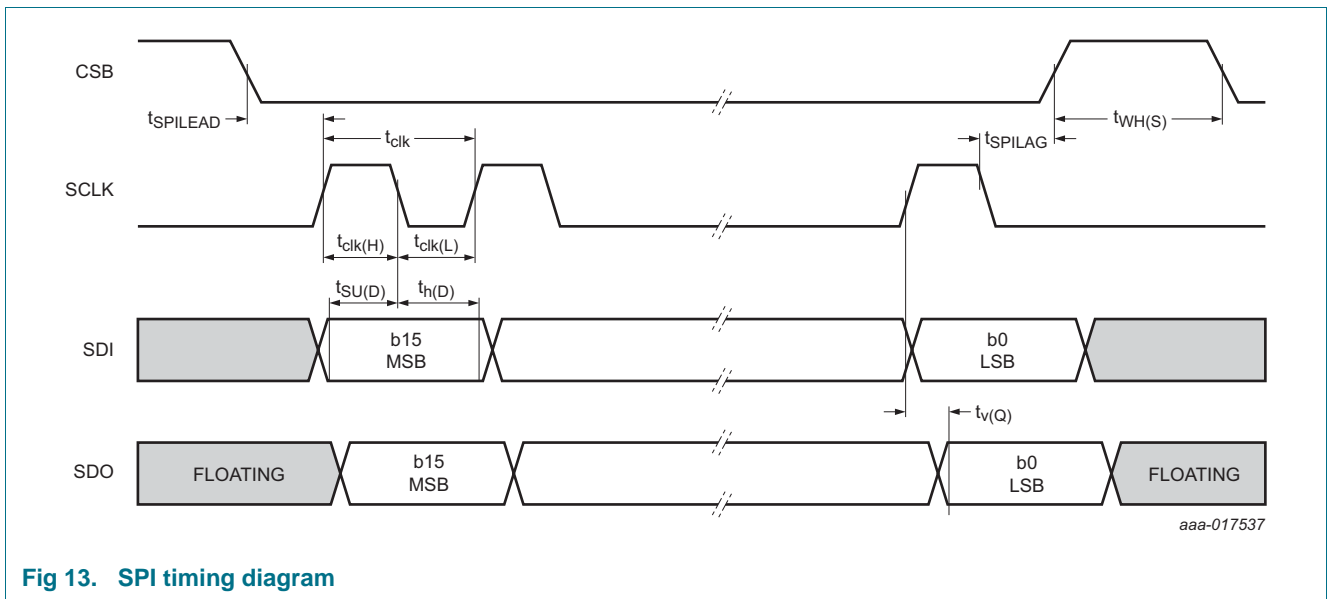


Fig 13. SPI timing diagram

13. Application information

Figure 14 provides an example for the ASL2500SHN in a typical 2-phase boost converter IC with 1 output voltage.

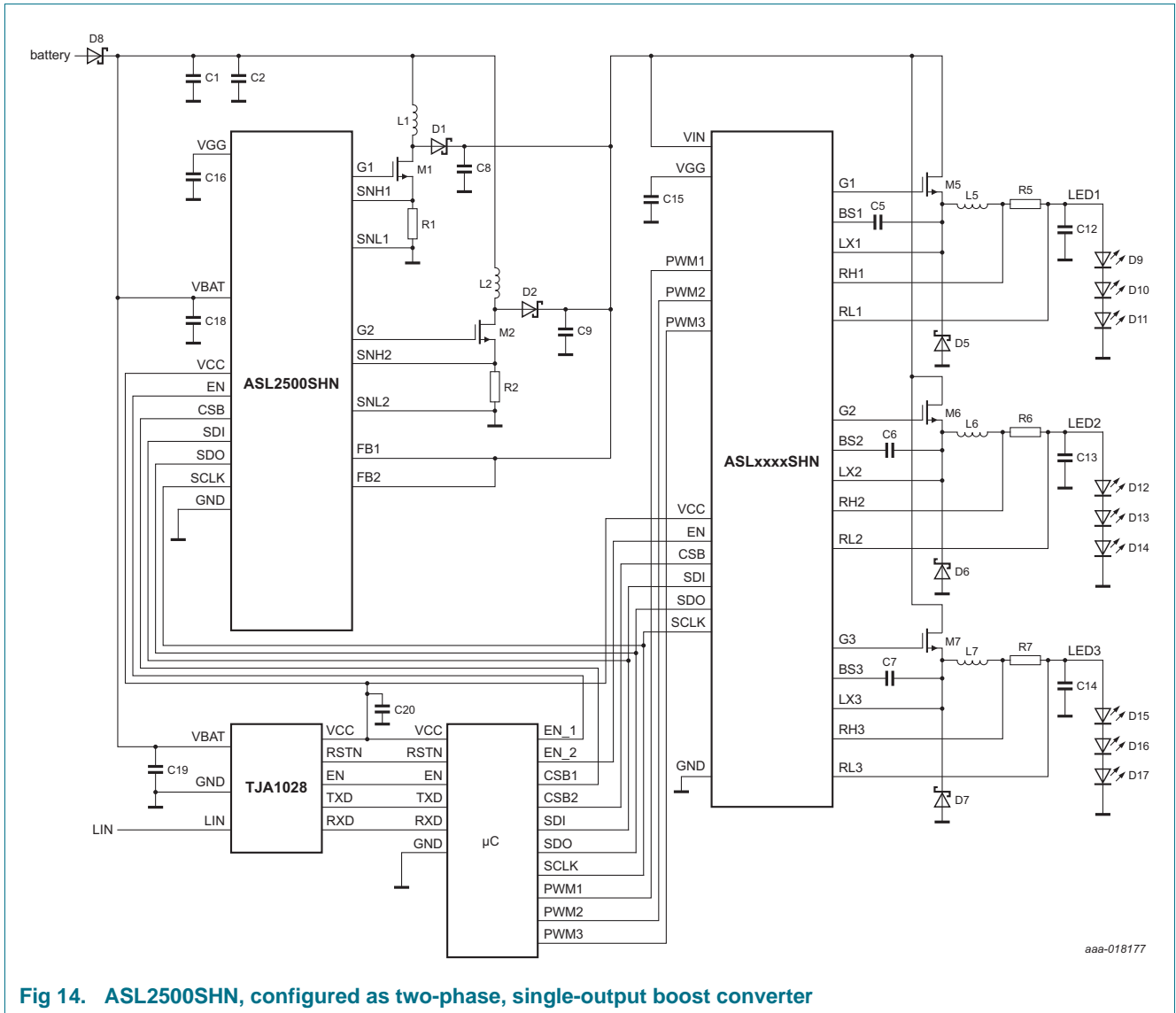


Fig 14. ASL2500SHN, configured as two-phase, single-output boost converter

14. Test information

14.1 Quality information

This product has been qualified in accordance with the Automotive Electronics Council (AEC) standard Q100 Rev-H - *Failure mechanism-based stress test qualification for integrated circuits*, and is suitable for use in automotive applications.

15. Package outline

HVQFN32: plastic thermal enhanced very thin quad flat package; no leads; 32 terminals; body 5 x 5 x 0.85 mm

SOT617-12

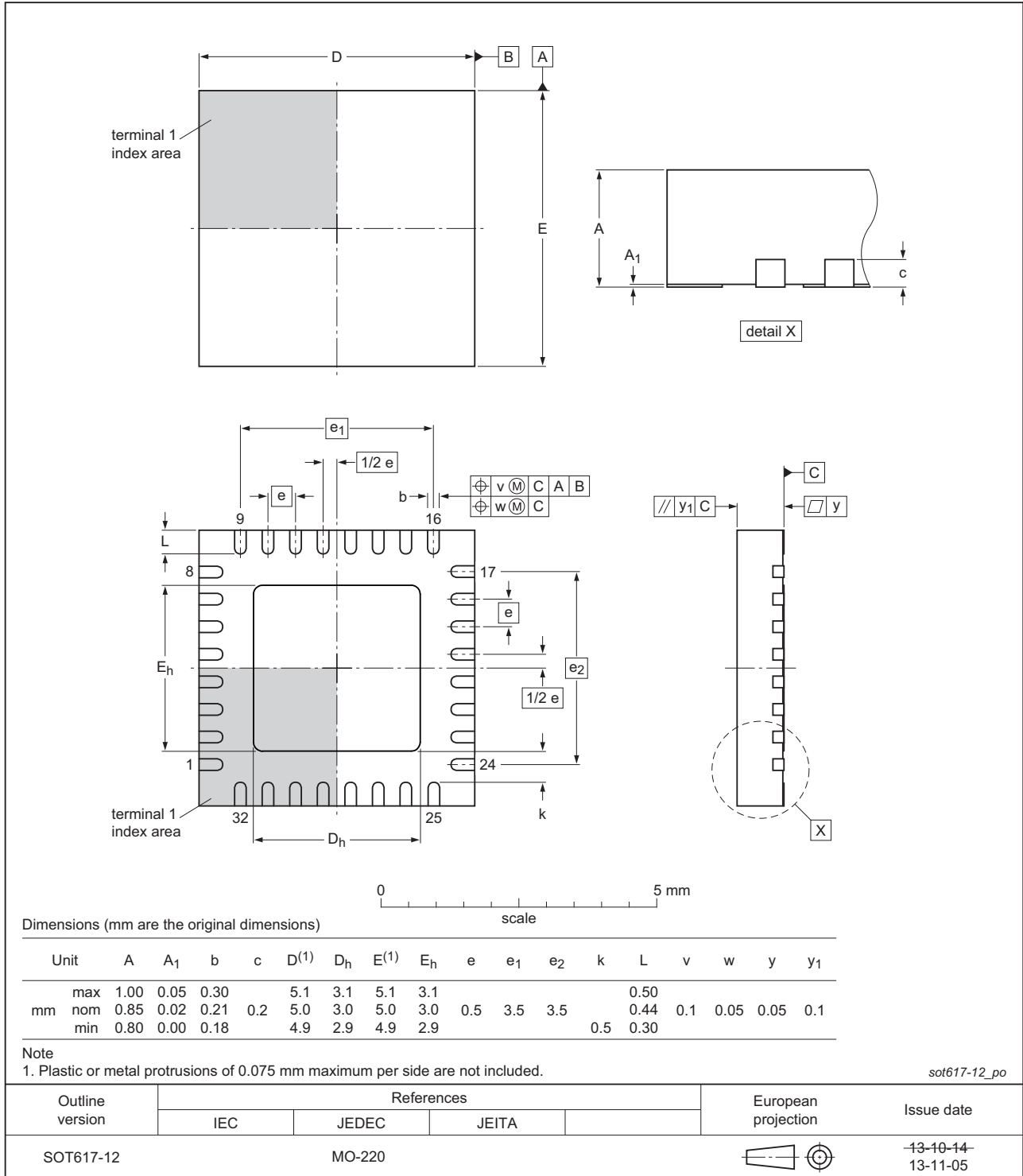


Fig 15. Package outline HVQFN32

16. Revision history

Table 45. Revision history

Document ID	Release date	Data sheet status	Change notice	Supersedes
ASL2500SHN v.3	20171026	Product data sheet	-	ASL2500SHN v.2
Modifications:	<ul style="list-style-type: none"> • Section 8.7: clarified exceeding of limiting values • Formula for voltage conversion updated • Table 43: values of output voltage accuracy updated • Table 43: values of regulator voltage accuracy on pin VGG updated • Table 44: data output valid time updated 			
ASL2500SHN v.2	20160413	Product data sheet	-	ASL2500SHN v.1
Modifications:	<ul style="list-style-type: none"> • Minor corrections made to Figure 3 “State diagram” on page 6. • Text has been corrected and aligned with the ASLxxxxSHN series of data sheets. 			
ASL2500SHN v.1	20150925	Product data sheet	-	-

17. Legal information

17.1 Data sheet status

Document status ^{[1][2]}	Product status ^[3]	Definition
Objective [short] data sheet	Development	This document contains data from the objective specification for product development.
Preliminary [short] data sheet	Qualification	This document contains data from the preliminary specification.
Product [short] data sheet	Production	This document contains the product specification.

[1] Please consult the most recently issued document before initiating or completing a design.

[2] The term 'short data sheet' is explained in section "Definitions".

[3] The product status of device(s) described in this document may have changed since this document was published and may differ in case of multiple devices. The latest product status information is available on the Internet at URL <http://www.nxp.com>.

17.2 Definitions

Draft — The document is a draft version only. The content is still under internal review and subject to formal approval, which may result in modifications or additions. NXP Semiconductors does not give any representations or warranties as to the accuracy or completeness of information included herein and shall have no liability for the consequences of use of such information.

Short data sheet — A short data sheet is an extract from a full data sheet with the same product type number(s) and title. A short data sheet is intended for quick reference only and should not be relied upon to contain detailed and full information. For detailed and full information see the relevant full data sheet, which is available on request via the local NXP Semiconductors sales office. In case of any inconsistency or conflict with the short data sheet, the full data sheet shall prevail.

Product specification — The information and data provided in a Product data sheet shall define the specification of the product as agreed between NXP Semiconductors and its customer, unless NXP Semiconductors and customer have explicitly agreed otherwise in writing. In no event however, shall an agreement be valid in which the NXP Semiconductors product is deemed to offer functions and qualities beyond those described in the Product data sheet.

17.3 Disclaimers

Limited warranty and liability — Information in this document is believed to be accurate and reliable. However, NXP Semiconductors does not give any representations or warranties, expressed or implied, as to the accuracy or completeness of such information and shall have no liability for the consequences of use of such information. NXP Semiconductors takes no responsibility for the content in this document if provided by an information source outside of NXP Semiconductors.

In no event shall NXP Semiconductors be liable for any indirect, incidental, punitive, special or consequential damages (including - without limitation - lost profits, lost savings, business interruption, costs related to the removal or replacement of any products or rework charges) whether or not such damages are based on tort (including negligence), warranty, breach of contract or any other legal theory.

Notwithstanding any damages that customer might incur for any reason whatsoever, NXP Semiconductors' aggregate and cumulative liability towards customer for the products described herein shall be limited in accordance with the *Terms and conditions of commercial sale* of NXP Semiconductors.

Right to make changes — NXP Semiconductors reserves the right to make changes to information published in this document, including without limitation specifications and product descriptions, at any time and without notice. This document supersedes and replaces all information supplied prior to the publication hereof.

Suitability for use in automotive applications — This NXP Semiconductors product has been qualified for use in automotive applications. Unless otherwise agreed in writing, the product is not designed, authorized or warranted to be suitable for use in life support, life-critical or safety-critical systems or equipment, nor in applications where failure or malfunction of an NXP Semiconductors product can reasonably be expected to result in personal injury, death or severe property or environmental damage. NXP Semiconductors and its suppliers accept no liability for inclusion and/or use of NXP Semiconductors products in such equipment or applications and therefore such inclusion and/or use is at the customer's own risk.

Applications — Applications that are described herein for any of these products are for illustrative purposes only. NXP Semiconductors makes no representation or warranty that such applications will be suitable for the specified use without further testing or modification.

Customers are responsible for the design and operation of their applications and products using NXP Semiconductors products, and NXP Semiconductors accepts no liability for any assistance with applications or customer product design. It is customer's sole responsibility to determine whether the NXP Semiconductors product is suitable and fit for the customer's applications and products planned, as well as for the planned application and use of customer's third party customer(s). Customers should provide appropriate design and operating safeguards to minimize the risks associated with their applications and products.

NXP Semiconductors does not accept any liability related to any default, damage, costs or problem which is based on any weakness or default in the customer's applications or products, or the application or use by customer's third party customer(s). Customer is responsible for doing all necessary testing for the customer's applications and products using NXP Semiconductors products in order to avoid a default of the applications and the products or of the application or use by customer's third party customer(s). NXP does not accept any liability in this respect.

Limiting values — Stress above one or more limiting values (as defined in the Absolute Maximum Ratings System of IEC 60134) will cause permanent damage to the device. Limiting values are stress ratings only and (proper) operation of the device at these or any other conditions above those given in the Recommended operating conditions section (if present) or the Characteristics sections of this document is not warranted. Constant or repeated exposure to limiting values will permanently and irreversibly affect the quality and reliability of the device.

Terms and conditions of commercial sale — NXP Semiconductors products are sold subject to the general terms and conditions of commercial sale, as published at <http://www.nxp.com/profile/terms>, unless otherwise agreed in a valid written individual agreement. In case an individual agreement is concluded only the terms and conditions of the respective agreement shall apply. NXP Semiconductors hereby expressly objects to applying the customer's general terms and conditions with regard to the purchase of NXP Semiconductors products by customer.

No offer to sell or license — Nothing in this document may be interpreted or construed as an offer to sell products that is open for acceptance or the grant, conveyance or implication of any license under any copyrights, patents or other industrial or intellectual property rights.

Export control — This document as well as the item(s) described herein may be subject to export control regulations. Export might require a prior authorization from competent authorities.

Translations — A non-English (translated) version of a document is for reference only. The English version shall prevail in case of any discrepancy between the translated and English versions.

17.4 Trademarks

Notice: All referenced brands, product names, service names and trademarks are the property of their respective owners.

18. Contact information

For more information, please visit: <http://www.nxp.com>

For sales office addresses, please send an email to: salesaddresses@nxp.com

19. Tables

Table 1. Ordering information	2	address 0x07h	15
Table 2. Pin description ^[1]	4	Table 23. Maximum phase current Vout2 register, address 0x08h	15
Table 3. Operating modes	6	Table 24. Function control register, address 0x00h	15
Table 4. Internal phase control enable for output 1, address 0x0Bh	8	Table 25. CSB count register 1, address 0x41h	16
Table 5. Internal phase control enable for output 2, address 0x0Ch	9	Table 26. CSB count register 2, address 0x42h	17
Table 6. Gate driver output, address 0x02h	9	Table 27. Frequency trimming register, address 0x1Ch	17
Table 7. Gate driver phase, address 0x0Fh	9	Table 28. VGG control register, address 0x15h	18
Table 8. Phase select configuration, address 0x10h	10	Table 29. Battery voltage register, address 0x45h	18
Table 9. Gate driver enable, address 0x01h	10	Table 30. Undervoltage threshold register, address 0x1Bh	19
Table 10. Clock divider for Vout1, address 0x09h	11	Table 31. Overvoltage threshold register, address 0x1Ah	19
Table 11. Clock divider for Vout2, address 0x0Ah	11	Table 32. Junction temperature register, address 0x46h	19
Table 12. Phase-off time and phase delay of output 1, address 0x0Dh	11	Table 33. Diagnostic register, address 0x5Fh	20
Table 13. Phase-off time and phase delay of output 2, address 0x0Eh	12	Table 34. SPI frame format for a transition to the device	22
Table 14. Loop filter proportional configuration, address 0x11h	12	Table 35. SPI frame format for a transition from the device	23
Table 15. Loop filter integral configuration, address 0x12h	12	Table 36. Register space grouping	26
Table 16. Slope compensation configuration, address 0x13h	13	Table 37. Control register group overview	26
Table 17. Current sense slope resistor configuration, address 0x14h	13	Table 38. Configuration register group overview	27
Table 18. Output voltage 1 register, address 0x03h	13	Table 39. Internal register overview	28
Table 19. Output voltage 2 register, address 0x04h	14	Table 40. Diagnostic register group overview	28
Table 20. Limit voltage output 1 register, address 0x05h	14	Table 41. Limiting values	29
Table 21. Limit voltage output 2 register, address 0x06h	14	Table 42. Thermal characteristics	29
Table 22. Maximum phase current Vout1 register, address 0x07h	15	Table 43. Static characteristics	30
		Table 44. Dynamic characteristics	31
		Table 45. Revision history	35

20. Figures

Fig 1. Block diagram	3
Fig 2. Pin configuration	4
Fig 3. State diagram	6
Fig 4. Phase of the boost converter with IC and application connections	7
Fig 5. Mapping of virtual phases (V1_1 to V2_4) to physical phases (G1 and G2)	8
Fig 6. Phase control generator	11
Fig 7. Frequency trimming flow	16
Fig 8. SPI timing protocol	22
Fig 9. SPI frame format	22
Fig 10. Daisy chain configuration	23
Fig 11. Physical parallel slave connection	24
Fig 12. SPI frame format	25
Fig 13. SPI timing diagram	32
Fig 14. ASL2500SHN, configured as two-phase, single-output boost converter	33
Fig 15. Package outline HVQFN32	34

21. Contents

1	Introduction	1	8.11.1	Introduction	21
2	General description	1	8.11.2	Typical use case illustration (Write/Read) ...	24
3	Features and benefits	2	8.11.3	Diagnostics for the SPI interface	25
4	Applications	2	8.11.4	Register map	25
5	Ordering information	2	8.11.4.1	Control registers	26
6	Block diagram	3	8.11.4.2	Configuration registers	27
7	Pinning information	4	8.11.4.3	Internal registers	28
7.1	Pinning	4	8.11.4.4	Diagnostic registers	28
7.2	Pin description	4	9	Limiting values	29
8	Functional description	6	10	Thermal characteristics	29
8.1	Operating modes	6	11	Static characteristics	30
8.1.1	Off mode	6	12	Dynamic characteristics	31
8.1.2	Configuration mode	6	13	Application information	33
8.1.3	Operation mode	7	14	Test information	33
8.1.4	Fail silent mode	7	14.1	Quality information	33
8.2	Boost converter configuration	7	15	Package outline	34
8.2.1	Configuration of the virtual phases	8	16	Revision history	35
8.2.2	Association of physical phases to the output voltages	9	17	Legal information	36
8.2.3	Association of connected phases to the internal phase generation	9	17.1	Data sheet status	36
8.2.4	Enabling of connected phases	10	17.2	Definitions	36
8.2.5	Configuration of the boost converter frequencies	10	17.3	Disclaimers	36
8.2.6	Control loop parameter setting	12	17.4	Trademarks	37
8.3	Output voltage programmability	13	18	Contact information	37
8.3.1	Output voltage target programming	13	19	Tables	38
8.3.2	Output overvoltage protection programming	14	20	Figures	38
8.4	Coil peak current limitation	14	21	Contents	39
8.5	Enabling the output voltage	15			
8.6	Frequency trimming	16			
8.7	Gate voltage supply	18			
8.7.1	Gate voltage supply diagnostics	18			
8.8	Supply voltage monitoring	18			
8.8.1	Battery voltage measurement	18			
8.8.2	Undervoltage detection	19			
8.8.3	Overvoltage detection	19			
8.9	Junction temperature information	19			
8.10	Diagnostic information	20			
8.10.1	Bit VIN_OV	20			
8.10.2	Bit VIN_UV	20			
8.10.3	Bit SPI_err	20			
8.10.4	Bit Tj_err	21			
8.10.5	Bit VGG_err	21			
8.10.6	Bit VGG_ok	21			
8.10.7	Bit Vout1_ok and Vout2_ok	21			
8.11	SPI	21			

Please be aware that important notices concerning this document and the product(s) described herein, have been included in section 'Legal information'.

© NXP Semiconductors N.V. 2017.

All rights reserved.

For more information, please visit: <http://www.nxp.com>



For sales office addresses, please send an email to: salesaddresses@nxp.com

Date of release: 26 October 2017

Document identifier: ASL2500SHN

Looking for pricing, stock, or lifecycle information?

Click below to explore more details on WIN SOURCE:

-  [View ASL2500SHNY on WIN SOURCE](#)
-  [NXP / Nexperia Information](#)

Optimize Your Supply Chain with WIN SOURCE Solutions

-  Global Sourcing Solution
-  Obsolete Management
-  Cost Control Management
-  Shortage Management
-  Alternative Solution
-  Excess Inventory Management