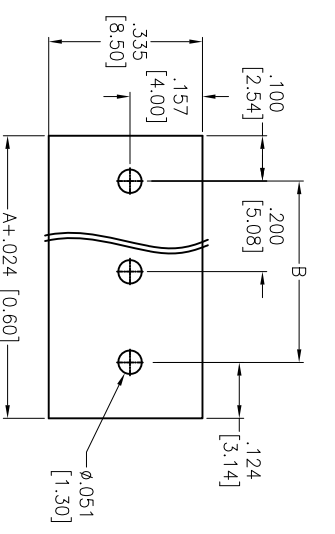
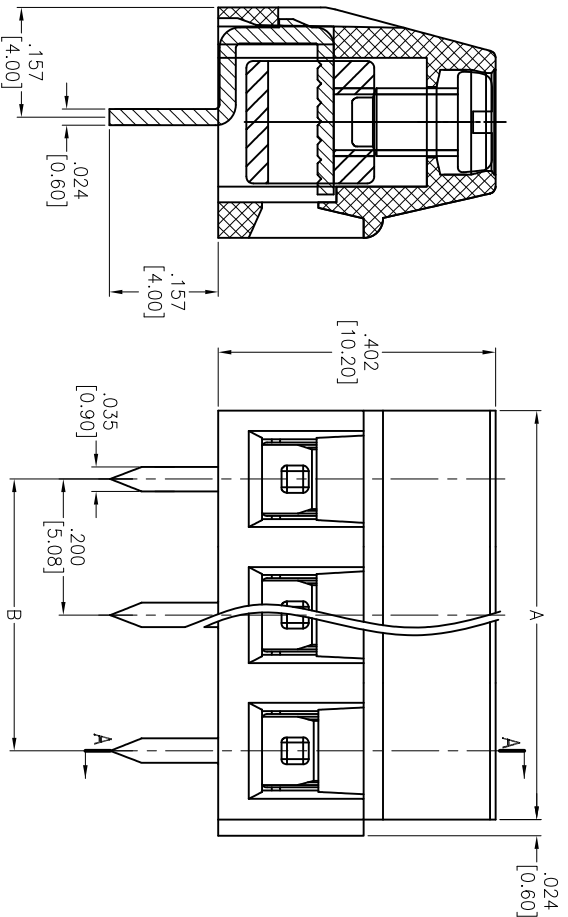
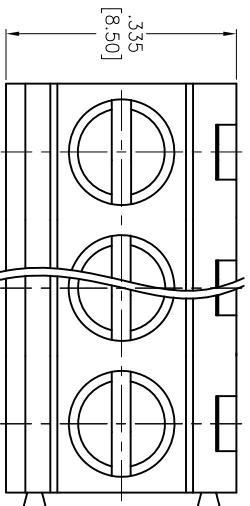




**THE DATASHEET OF
EB21A-03-D**



Rev	AWO #	Description	Date	Appr
-		RELEASED	1/17/14	
A		REVISED SHAPE	6/26/14	AY/SY
B		UPDATE SPEC.	7/30/18	AY/RC1



RECOMMENDED PCB LAYOUT

Poles: 2 thru 24
 A = .200 [5.08] X No. of Positions
 B = .200 [5.08] x No. of Spaces

UNLESS OTHERWISE SPECIFIED
 ALL DIMENSIONS ARE INCHES [MM]
 TOLERANCES: EXCEPT AS NOTED
 INCHES HOLE SIZES
 .X ± .10 ØX ± .10
 .XX ± .020 ØXX ± .015
 .XXX ± .015 ØXXX ± .010

APPROVALS	DATE
DRAWN AY	1/17/14
CHECKED SY	1/17/14
APPROVED	

ADAM TECH 909 Rahway Avenue,
 Union, NJ 07083
 Phone: 908-687-5000
 Fax: 908-687-5710

EURO BLOCK, .200 [5.08] PITCH

TITLE	SIZE	PART NO.	REV.
EURO BLOCK, .200 [5.08] PITCH	X	EB21A-XX-D	B
REF: S00067C	SCALE: NTS	SHEET 1 OF 1	



1) @DC: 500V
 VAC for 1 minut

5

4

3

2

1

A



B

C

D

Looking for pricing, stock, or lifecycle information?

Click below to explore more details on WIN SOURCE:

-  [View EB21A-03-D on WIN SOURCE](#)
-  [Adam Technologies, Inc. Information](#)

Optimize Your Supply Chain with WIN SOURCE Solutions

-  Global Sourcing Solution
-  Obsolete Management
-  Cost Control Management
-  Shortage Management
-  Alternative Solution
-  Excess Inventory Management