



**THE DATASHEET OF  
ACPP0603 10K B**



# ACPP Precision Surface Mount Passivated Resistors



- Precision thin film technology
- Extended ohmic range 10R – 1M5
- Precision to  $\pm 0.1\%$  and 15ppm/ $^{\circ}\text{C}$
- Passivated range for superior humidity performance
- RoHS Compliant



## Characteristics

Tolerance (Code):	$\pm 0.1\%$ (B), $\pm 0.25\%$ (C), $\pm 0.5\%$ (D)
Operating temperature:	$-55^{\circ}\text{C}$ to $+155^{\circ}\text{C}$
Temperature coefficient:	$\pm 15\text{ppm}/^{\circ}\text{C}$ , $\pm 25\text{ppm}/^{\circ}\text{C}$ , $\pm 50\text{ppm}/^{\circ}\text{C}$
Overload:	$\leq \pm 0.2\%$ , $\leq \pm 0.1\%$ (ACPP0402), RCWV*2.5 or maximum overload voltage (whichever is lowest) for 2 seconds
Thermal shock:	$\leq \pm 0.02\%$ , $\leq \pm 0.1\%$ (ACPP0402), $-55^{\circ}\text{C}$ $+150^{\circ}\text{C}$ 100 cycles
Endurance:	$\leq \pm 0.05\%$ , $\leq \pm 0.25\%$ (ACPP0402), $70 \pm 2^{\circ}\text{C}$ , RCWV for 1000 hours with 1.5 hours on and 0.5 hours off
Humidity:	$\leq \pm 0.05\%$ , $\leq \pm 0.5\%$ (ACPP0402), 1000 hours at $40 \pm 2^{\circ}\text{C}$ , 90-95% R.H with 1.5 hours on and 0.5 hours off

## Electrical Specifications

Type	Wattage	Maximum operating voltage	Maximum overload voltage	TCR ppm/ $^{\circ}\text{C}$	Ohmic value range
ACPP0402	0.0625	25V	50V	$\pm 15$	49R9 - 12K
				$\pm 25$	24R9 - 24K9
ACPP0603	0.0625	50V	100V	$\pm 15$	24R9 - 332K
				$\pm 25$	
				$\pm 50$	
ACPP0805	0.1	100V	200V	$\pm 15$	10R - 1M
				$\pm 25$	
				$\pm 50$	
ACPP1206	0.125	150V	300V	$\pm 15$	10R - 1M
				$\pm 25$	
				$\pm 50$	
ACPP2010	0.25	150V	300V	$\pm 15$	24R9 - 1M
				$\pm 25$	10R - 1M5
				$\pm 50$	
ACPP2512	0.5	150V	300V	$\pm 15$	24R9 - 1M
				$\pm 25$	10R - 1M5
				$\pm 50$	

ARCOL UK Limited,  
 Threemilestone Ind. Estate,  
 Truro, Cornwall, TR4 9LG, UK.  
 T +44 (0) 1872 277431  
 F +44 (0) 1872 222002  
 E sales@arcolresistors.com

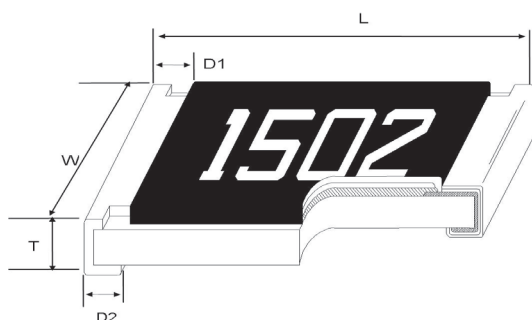
The information contained herein does not form part of a contract and is subject to change without notice. ARCOL operate a policy of continual product development, therefore, specifications may change.

It is the responsibility of the customer to ensure that the component selected from our range is suitable for the intended application. If in doubt please ask ARCOL.

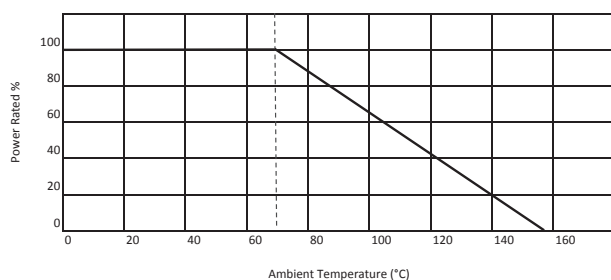
For more information and ordering, please consult  
[www.arcolresistors.com](http://www.arcolresistors.com)

## Dimensions (mm)

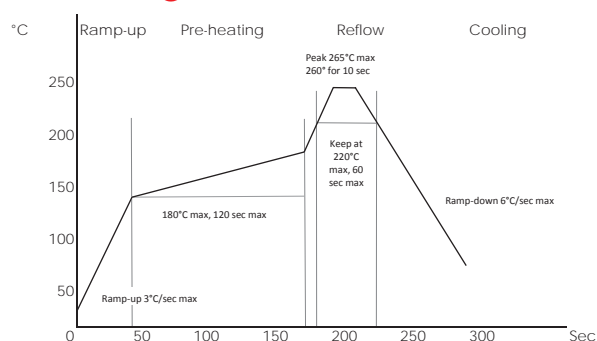
Series	L	W	T	D1	D2
ACPP0402	1.00 ± 0.05	0.50 ± 0.05	0.30 ± 0.05	0.20 ± 0.10	0.20 ± 0.10
ACPP0603	1.55 ± 0.10	0.80 ± 0.10	0.45 ± 0.10	0.30 ± 0.20	0.30 ± 0.20
ACPP0805	2.00 ± 0.15	1.25 ± 0.15	0.55 ± 0.10	0.30 ± 0.20	0.40 ± 0.20
ACPP1206	3.05 ± 0.15	1.55 ± 0.15	0.55 ± 0.10	0.42 ± 0.20	0.35 ± 0.20
ACPP2010	4.90 ± 0.15	2.40 ± 0.15	0.55 ± 0.10	0.60 ± 0.30	0.50 ± 0.20
ACPP2512	6.30 ± 0.15	3.10 ± 0.15	0.55 ± 0.10	0.60 ± 0.30	0.50 ± 0.20



## Derating Curve



## Soldering Curve



## Ordering Procedure

Standard Resistor: Series, Resistance Value, Tolerance, TCR  
 .i.e: ACPP0603 100K B 15PPM

ARCOL UK Limited,  
 Threemilestone Ind. Estate,  
 Truro, Cornwall, TR4 9LG, UK.  
 T +44 (0) 1872 277431  
 F +44 (0) 1872 222002  
 E sales@arcolresistors.com



[www.arcolresistors.com](http://www.arcolresistors.com)

The information contained herein does not form part of a contract and is subject to change without notice. ARCOL operate a policy of continual product development, therefore, specifications may change.

It is the responsibility of the customer to ensure that the component selected from our range is suitable for the intended application. If in doubt please ask ARCOL.

## Looking for pricing, stock, or lifecycle information?

Click below to explore more details on WIN SOURCE:

-  [View ACPP0603 10K B on WIN SOURCE](#)
-  [Ohmite Information](#)

## Optimize Your Supply Chain with WIN SOURCE Solutions

-  Global Sourcing Solution
-  Obsolete Management
-  Cost Control Management
-  Shortage Management
-  Alternative Solution
-  Excess Inventory Management