



**THE DATASHEET OF
CES-803118-28PM**



MODEL: CES-803118-28PM | **DESCRIPTION:** SPEAKER**FEATURES**

- paper dust cap
- 4 screw holes for mounting
- 135 mm lead wire
- connector

**SPECIFICATIONS**

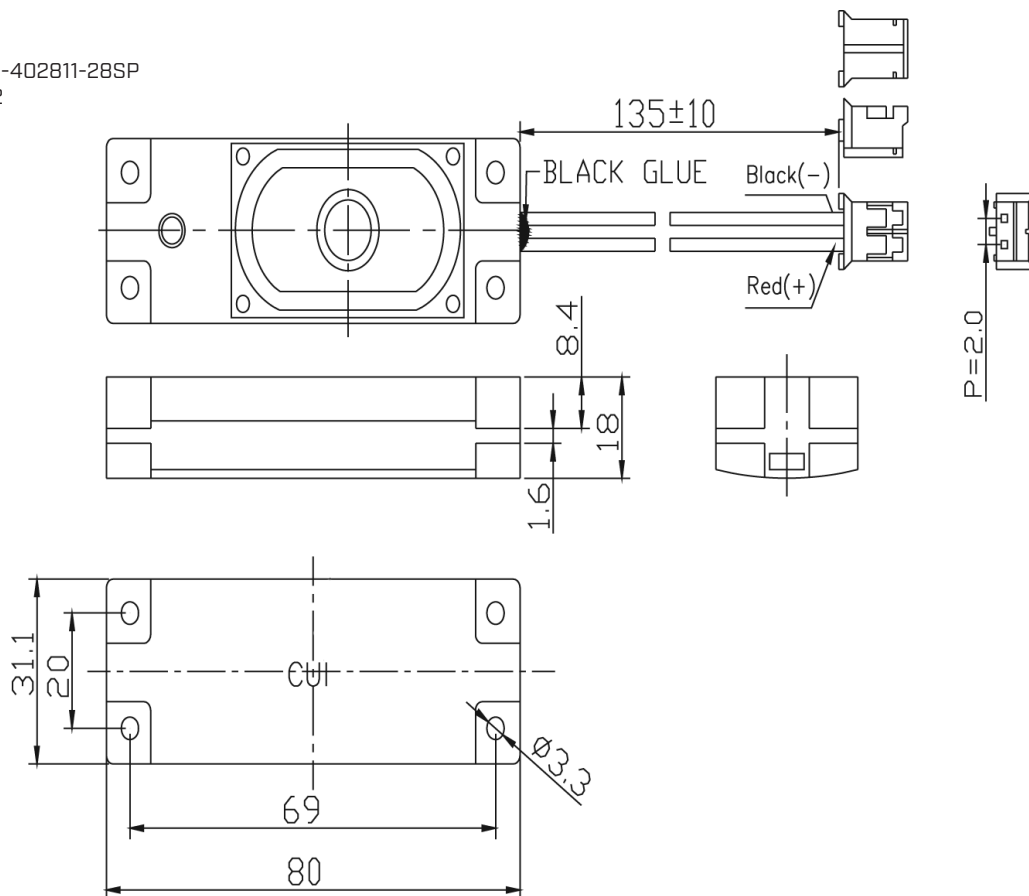
parameter	conditions/description	min	typ	max	units
input power	max power: 1 minute on, 2 minutes off, 10 cycles		2.0	3.0	W
impedance	at 1.0 kHz, 1 Vrms	6.8	8	9.2	Ω
resonant frequency (Fo)	at 1.0 Vrms, 10 cm	520	650	780	Hz
frequency response	as per IEC 268-5	200		20,000	Hz
sound pressure level	at 2.0 W, 10 cm, avg at 0.8, 1.0, 1.2, 1.5 kHz	97	100	103	dB
distortion	at 1.0 kHz, 1.0 Vrms, 10 cm			5	%
buzz, rattle, etc.	must be normal at sine wave, 20 Hz~2.2 kHz			4.0	V
polarity	cone moves forward w/ positive dc current to "+" terminal				
dimensions	80 x 31 x 18				mm
magnet	Nd-Fe-B				
enclosure material	ABS				
cone material	cloth				
terminal	wire leads w/ connector				
weight		16	21	26	g
operating temperature		-20		60	$^{\circ}\text{C}$
storage temperature		-30		70	$^{\circ}\text{C}$
RoHS	yes				

Notes: 1. All specifications measured at 15-35 $^{\circ}\text{C}$, humidity at 25-75%, under 86-106 kPa pressure, unless otherwise noted.

MECHANICAL DRAWING

units: mm
tolerance: ± 0.5 mm

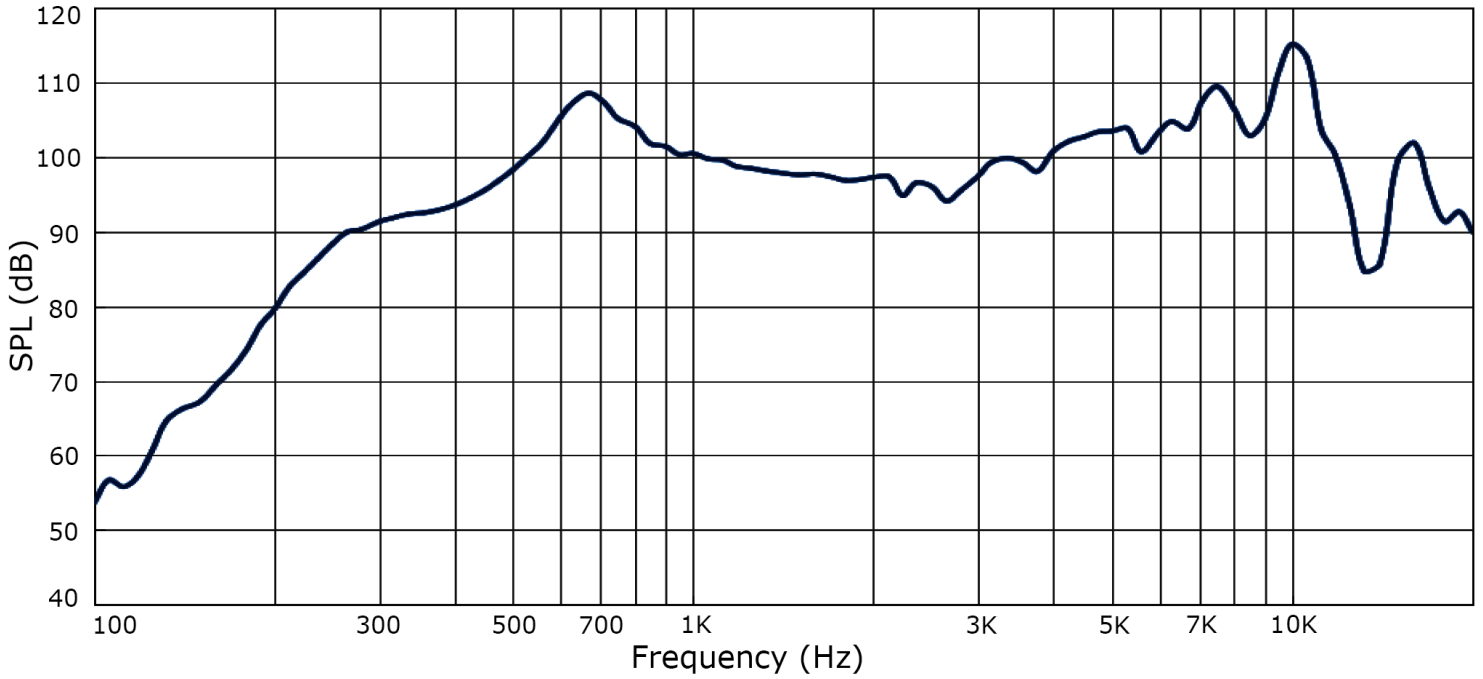
wire: UL1571 28 AWG
internal speaker: CMS-402811-28SP
connector: JST PHR-2



RESPONSE CURVES

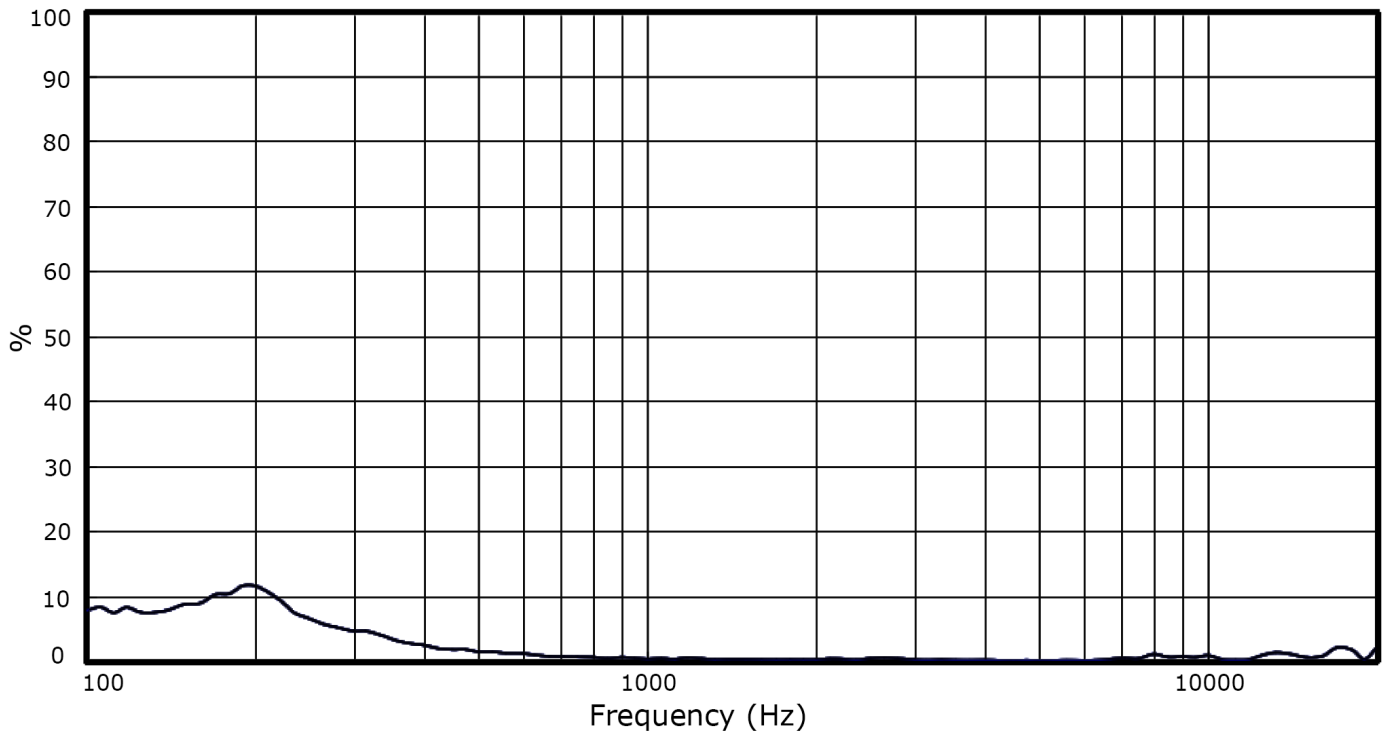
Frequency Response Curve

Test Conditions: 4.00 Vrms / 10 cm



Total Harmonic Distortion Curve

Test Conditions: 1.00 Vrms / 10 cm



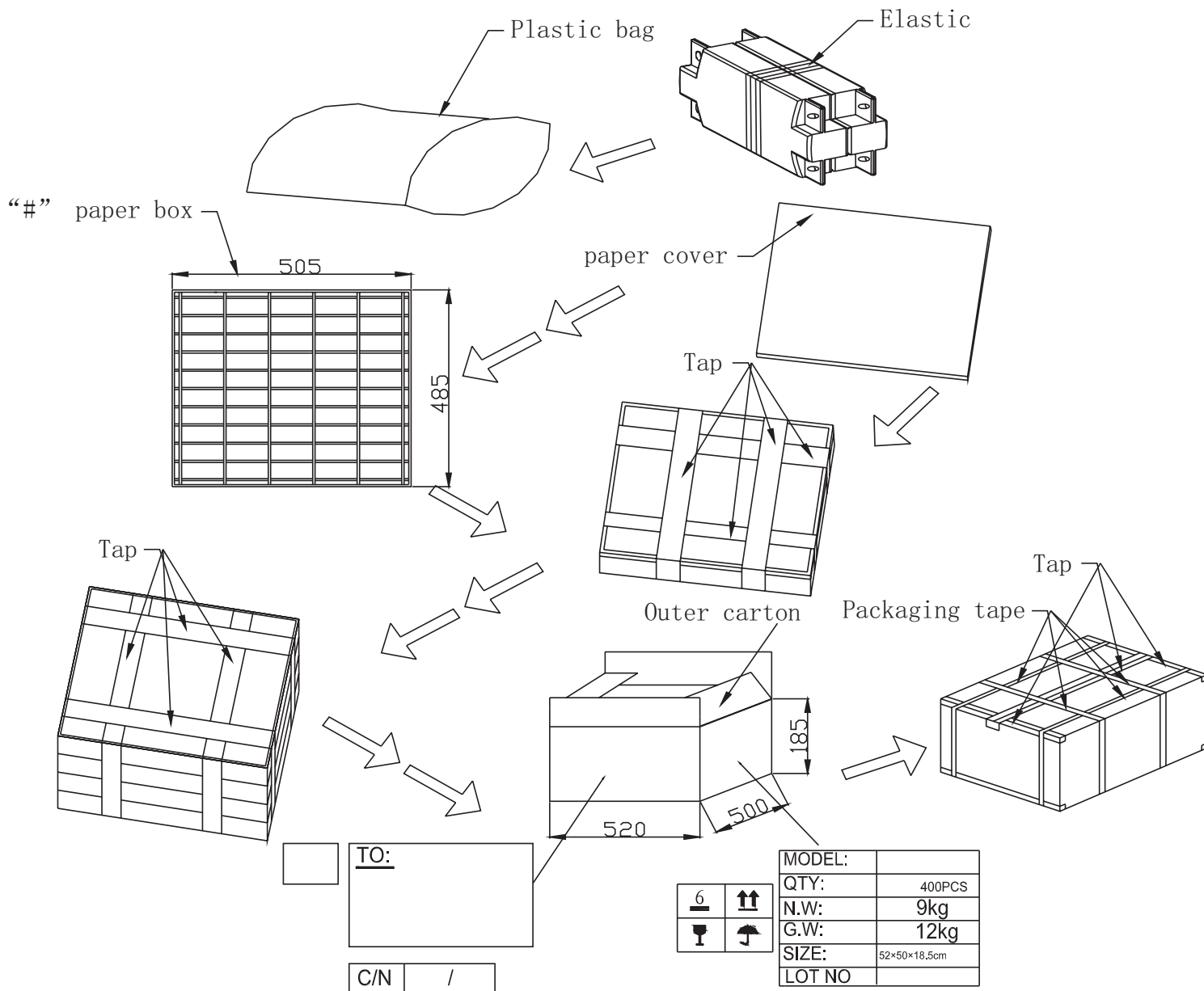
PACKAGING

units: mm

Tray QTY: 100 pcs per tray (50 sets per box)

Carton Size: 520 x 500 x 185 mm

Carton QTY: 400 pcs per carton



REVISION HISTORY

rev.	description	date
1.0	initial release	11/06/2019
1.01	added internal speaker details	03/12/2020
1.02	logo, datasheet style update	08/05/2022

The revision history provided is for informational purposes only and is believed to be accurate.



CUI Devices offers a one (1) year limited warranty. Complete warranty information is listed on our website.

CUI Devices reserves the right to make changes to the product at any time without notice. Information provided by CUI Devices is believed to be accurate and reliable. However, no responsibility is assumed by CUI Devices for its use, nor for any infringements of patents or other rights of third parties which may result from its use.

CUI Devices products are not authorized or warranted for use as critical components in equipment that requires an extremely high level of reliability. A critical component is any component of a life support device or system whose failure to perform can be reasonably expected to cause the failure of the life support device or system, or to affect its safety or effectiveness.

cuidevices.com

Looking for pricing, stock, or lifecycle information?

Click below to explore more details on WIN SOURCE:

- ⊖ [View CES-803118-28PM on WIN SOURCE](#)
- ⊖ [CUI Inc. Information](#)

Optimize Your Supply Chain with WIN SOURCE Solutions

- ✓ Global Sourcing Solution
- ✓ Obsolete Management
- ✓ Cost Control Management
- ✓ Shortage Management
- ✓ Alternative Solution
- ✓ Excess Inventory Management