



THE DATASHEET OF U054



PIR HAT



SENSOR AS312

G36 INPUT

Description

Hat PIR is an M5StickC compatible human body induction sensor, it belongs to "Passive pyroelectric infrared detector", that detect the infrared come from the human body. When the infrared is detected, the sensor will output HIGH and last for two seconds until the next detecting round.

Notice: There exist 2 seconds delay

Product Feature

- Detecting Range: 500cm
- Delay time: 2s
- Induction Angle: < 100°
- IDDQ: < 60uA
- Op.T: -20 ~ 50 °C

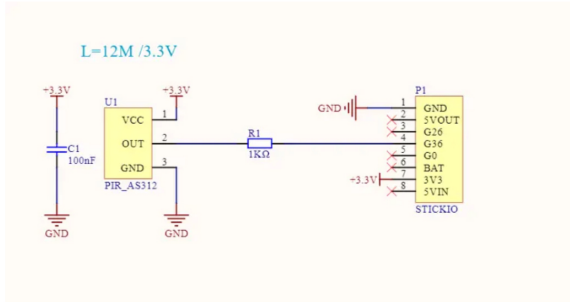
package Includes

1x PIR.Hat

Applications

- Human body induction lamp
- Security product
- Auto-induction

Schematic



EasyLoader

EasyLoader is a concise and fast program writer, which has a built-in case program related to the product. It can be burned to the main control by simple steps to perform a series of function verification. Please install the corresponding driver according to the device type. M5Core host [Please click here to view the CP210X driver installation tutorial](#), M5StickC/V/T/ATOM series can be used without driver)

Example

UIFlow

Open <http://flow.m5stack.com> and click Demo to load

Arduino



Please click [here](#) to get complete code

Pin Map

M5StickC	GPI036	5V	GND
HAT PIR	OUT	5V	GND

Looking for pricing, stock, or lifecycle information?

Click below to explore more details on WIN SOURCE:

-  [View U054 on WIN SOURCE](#)
-  [M5Stack Technology Co., Ltd. Information](#)

Optimize Your Supply Chain with WIN SOURCE Solutions

-  Global Sourcing Solution
-  Obsolete Management
-  Cost Control Management
-  Shortage Management
-  Alternative Solution
-  Excess Inventory Management