



**THE DATASHEET OF
PM25L-024-HHC5**





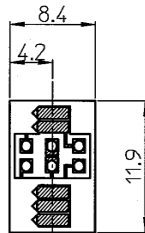
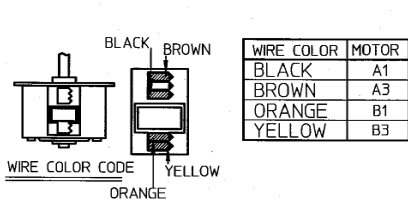
Standard PM Step Motors

PM25L-024-HHC5

Step Angle: 15°

Model Specifications

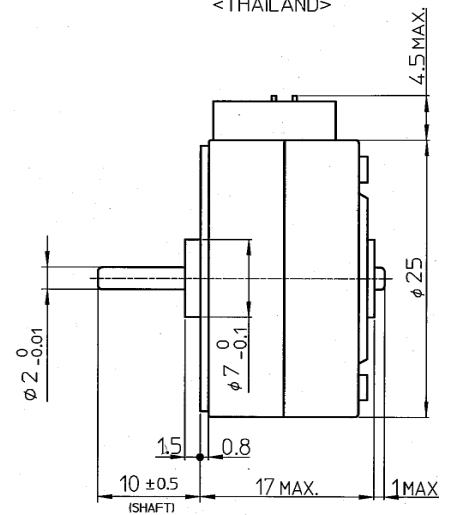
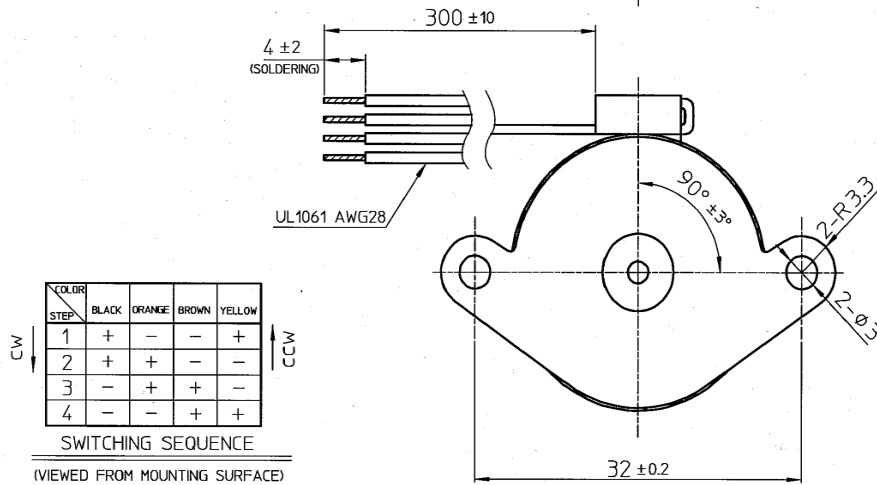
Model:	PM25L-024-HHC5
Shaft Length:	10mm
Wire Length:	300mm fly lead (no connector)
Wire Holder:	90 deg. Left
Front Plate:	FPH
Electrical:	24V, 600mA
	Bipolar Constant Current
	8 ohms, MS70A



MARKING

NMB-MAT PM25L-024-HHC5
JAPAN H9806
<JAPAN>

NMB-MAT PM25L-024-HHC5
THAILAND TA9806
<THAILAND>





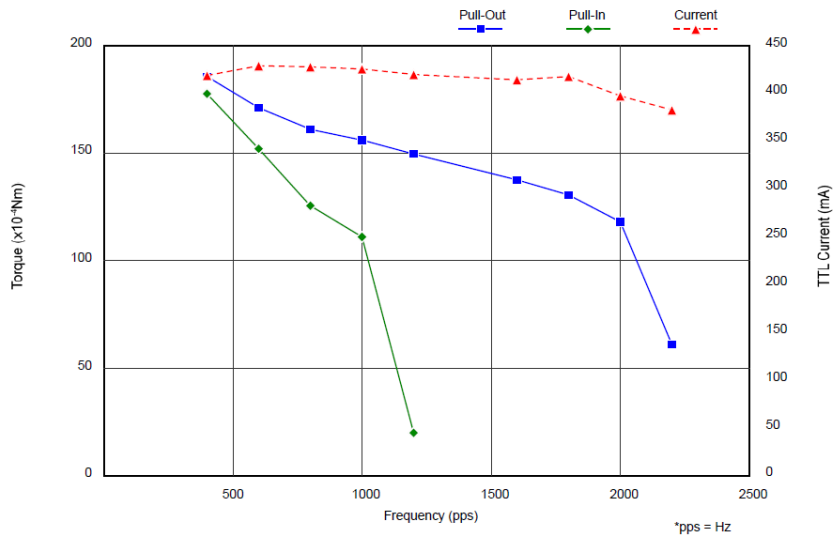
Standard PM Step Motors

PM25L-024-HHC5

DYNAMIC TORQUE CHARACTERISTICS (No. 62790)

(ALL VALUES ARE GAINED BY MEASUREMENT AND NOT SPECIFICATIONS VALUES)

Model : PM25L-024-HHC5
 Drive Mode : BIPOLAR CHOPPER
 Drive Voltage : 24.0 V
 Method : 2-2P
 Drive IC : UDN2917EB
 Surge/Current : / 600 mA / Phase (Peak)
 Coil Resistance : 8.0 Ω
 Magnet Material : MS70A
 Stator Material : SUY/SPC(Ni)



(TTL Current = Over all current drawn by the driver)

Frequency (pps)	400	600	800	1000	1200	1600	1800	2000	2200
■ Pull-Out (x10 ⁻⁴ Nm)	185.4	170.6	160.8	155.9	149.1	137.3	130.4	117.7	60.8
◆ Pull-In (x10 ⁻⁴ Nm)	177.5	152.0	125.5	110.8	19.6				
▲ Current (mA)	418	428	427	425	419	414	417	397	382

Minebea Motor Manufacturing Corporation

Looking for pricing, stock, or lifecycle information?

Click below to explore more details on WIN SOURCE:

- ⊖ [View PM25L-024-HHC5 on WIN SOURCE](#)
- ⊖ [NMB Technologies Corporation Information](#)

Optimize Your Supply Chain with WIN SOURCE Solutions

- ✓ Global Sourcing Solution
- ✓ Obsolete Management
- ✓ Cost Control Management
- ✓ Shortage Management
- ✓ Alternative Solution
- ✓ Excess Inventory Management