



**THE DATASHEET OF  
CM102J3GS205QA7**





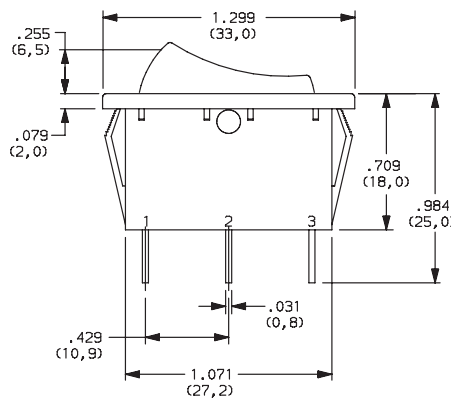
# CM Series Single Pole Power Rocker Switches

## SWITCH FUNCTION

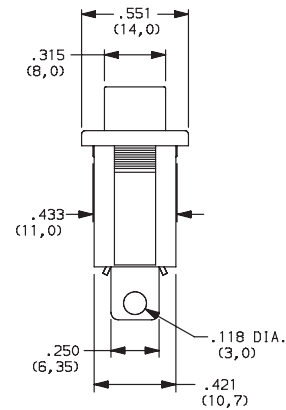


NO. POLES	MODEL NO.	SWITCH FUNCTION			CONNECTED TERMINALS			SCHEMATIC	
		Pos. 1	Pos. 2	Pos. 3	Pos. 1	Pos. 2	Pos. 3		
SP	<b>CM101</b>	ON	NONE	ON	2-1	N/A	2-3		
	<b>CM102</b>	ON	NONE	OFF			OPEN		
	<b>CM103</b>	ON	OFF	ON			OPEN	2-3	
	<b>CM107</b>	ON	OFF	MOM.				2-3	
	<b>CM12 *</b>	ON	NONE	OFF				N/A	OPEN

\* CM12 - for switches with both marking and illumination



Shown in Pos. 1

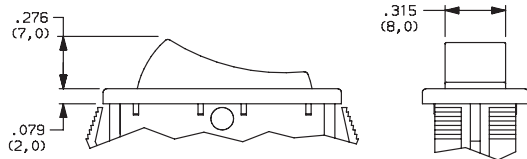


## ACTUATOR

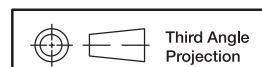


**J1** ROCKER

**J3** ILLUMINATED ROCKER



NOTE: J3 actuator available with CM102 & CM12 switch function only.



Third Angle Projection

Dimensions are shown: Inches (mm)  
Specifications and dimensions subject to change

**C&K**

16 May 18

G-92

www.ckswitches.com

Rocker

G

# CM Series Single Pole Power Rocker Switches

## ACTUATOR COLOR



OPTION CODE	ACTUATOR COLOR
<b>2</b>	BLACK
<b>1</b>	WHITE
<b>3</b>	RED
<b>R</b>	RED, ILLUMINATED
<b>A</b>	AMBER, ILLUMINATED
<b>G</b>	GREEN, ILLUMINATED

## MOUNTING STYLE/COLOR

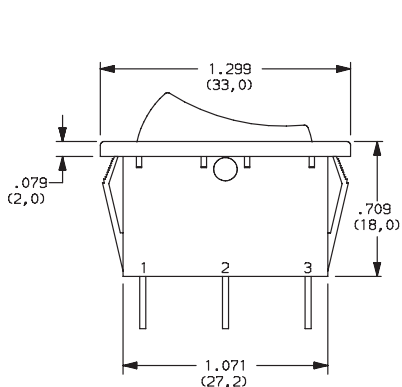


**S2** SNAP-IN, BLACK

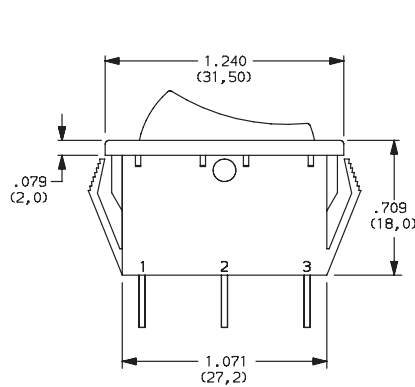
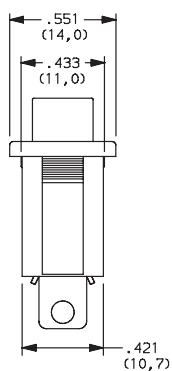
**S4** SNAP-IN, BLACK (SHORT FRAME)

**S1** SNAP-IN, WHITE

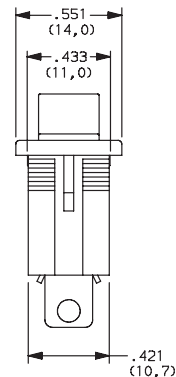
**S3** SNAP-IN, WHITE



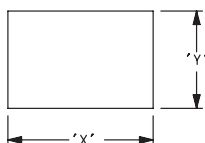
Shown in Pos. 1



Shown in Pos. 1



### PANEL MOUNTING



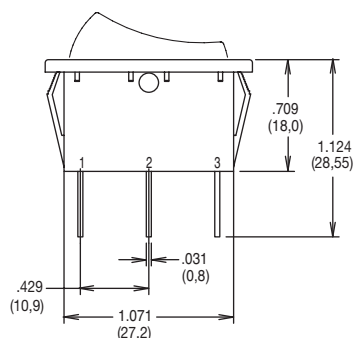
PANEL THICKNESS	"X"	"Y"
0.030-0.049 (0,75-1,25)	1.189-.004 (30,2-0,1)	0.441+.004 (11,2+0,1)
0.049-0.079 (1,25-2,0)	1.197-.004 (30,4-0,1)	0.441+.004 (11,2+0,1)
0.079-0.118 (2,0-3,0)	1.212-.004 (30,8-0,1)	0.441+.004 (11,2+0,1)

## TERMINATION

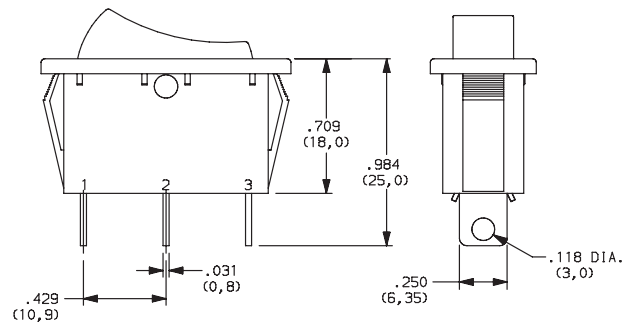
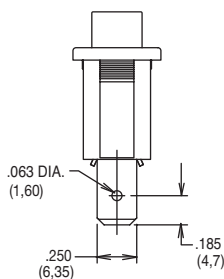


**05** .250 QUICK CONNECT

**07** SOLDER LUG



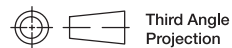
Shown in Pos. 1



**NOTE:** Available with CM101 & CM102 switch functions only.



16 May 18



Dimensions are shown: Inches (mm)  
Specifications and dimensions subject to change

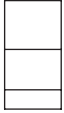


# CM Series Single Pole Power Rocker Switches

## ACTUATOR MARKING



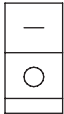
**NONE** NO MARKING



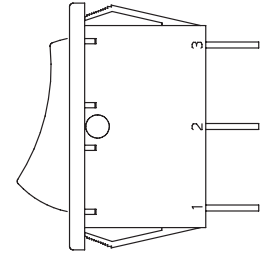
**D** ON-OFF



**H** 0 I



**P** 0 -



**NOTE:** Orientation of actuator marking and terminals.

Shown in Pos. 1

## CONTACT MATERIAL



OPTION CODE	CONTACT AND TERMINAL MATERIAL	RATINGS	
		<b>QA</b>	SILVER

\* Note: See Technical Data section of this catalog for RoHS compliant and compatible definitions and specifications.



## LAMP RATING



**(NONE)** NO LAMP

**7** 125 VAC 33kΩ NEON

**8** 250 VAC 150kΩ NEON

**NOTE:** Lamp rating for J3 & J8 actuator option.

Rocker

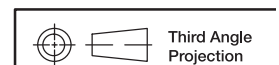


G

**C&K**

16 May 18

G-94





Dimensions are shown: Inches (mm)  
Specifications and dimensions subject to change

[www.ckswitches.com](http://www.ckswitches.com)

## Looking for pricing, stock, or lifecycle information?

Click below to explore more details on WIN SOURCE:

-  [View CM102J3GS205QA7 on WIN SOURCE](#)
-  [C&K Components](#) Information

## Optimize Your Supply Chain with WIN SOURCE Solutions

-  Global Sourcing Solution
-  Obsolete Management
-  Cost Control Management
-  Shortage Management
-  Alternative Solution
-  Excess Inventory Management