



**THE DATASHEET OF
TL3301PF160QG**

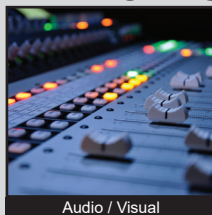


TL3301 SERIES TACT SWITCH

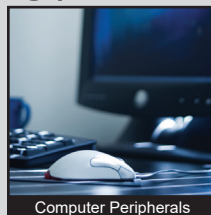
ANTI-VANDAL SWITCHES
 DETECTOR SWITCHES
 DIP SWITCHES
 KEYLOCK SWITCHES
 NAVIGATION SWITCHES
 PUSHBUTTON SWITCHES
 ROCKER SWITCHES
 ROTARY SWITCHES
 SLIDE SWITCHES
 SNAP ACTION SWITCHES
TACTILE SWITCHES
 TOGGLE SWITCHES
 CAP OPTIONS



APPLICATIONS / MARKETS



Audio / Visual



Computer Peripherals



Consumer Electronics



Instrumentation



Telecommunication



Medical Devices

RoHS

SPECIFICATIONS

Contact Rating: 50mA @ 12VDC
Electrical Life: 100,000 gf
Contact Resistance: 100mΩ Max
Insulation Resistance: 100MΩ Min @ 500VDC
Dielectric Strength: 250VAC for 1 Minute
Operating Temperature: -20°C to 70°C
Storage Temperature: -30°C to 85°C
Travel: 0.25mm
Contact Arrangement: SPST
Actuation Force: 100gf; 160gf; 260gf

FEATURES & BENEFITS

- Single pole single throw
- Surface mount
- 6mm x 6mm
- Cap options
- Multiple actuator options

PART NUMBER CONFIGURATOR

Series

TL3301

Actuator Options

A - 5.0mm (no cap)
 B - 9.5mm (no cap)
 C - 8.0mm (no cap)
 D - 13.0mm (no cap)
 E - 7.3mm (no cap)
 F - 7.0mm (no cap)
 N - 4.3mm (no cap)
 P - 8.5mm (no cap)
 SP - 2.8mm square cap
 T - 2.4mm square cap

Actuation Force

F100 - 100 gf
 F160 - 160 gf
 F260 - 260 gf

Contact Material

Q - Silver
 R - Gold

Termination

G - Gullwing
 J - J-lead

Cap Options

Order Caps Separately

Specifications subject to change without notice 11.4.2019



E-SWITCH®

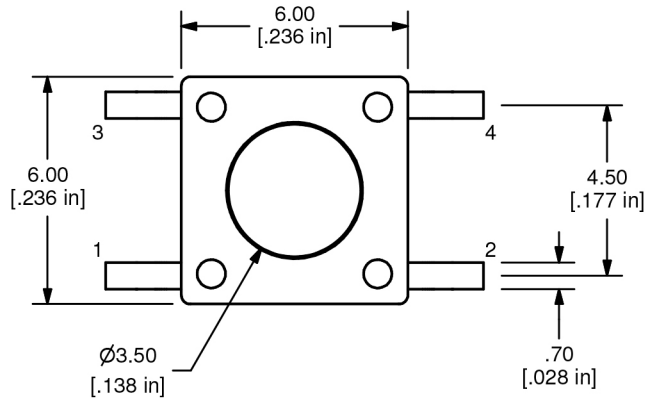
www.e-switch.com

800.867.2717

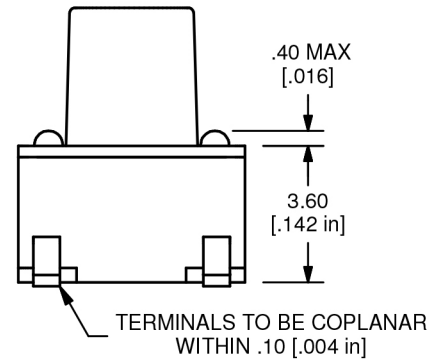
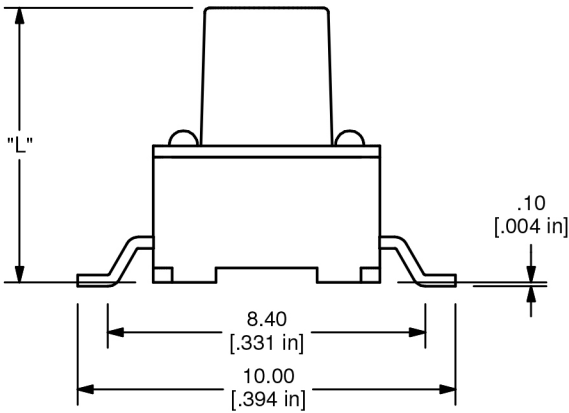
1

TL3301 SERIES TACT SWITCH

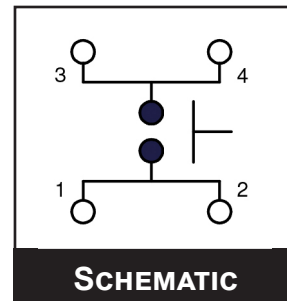
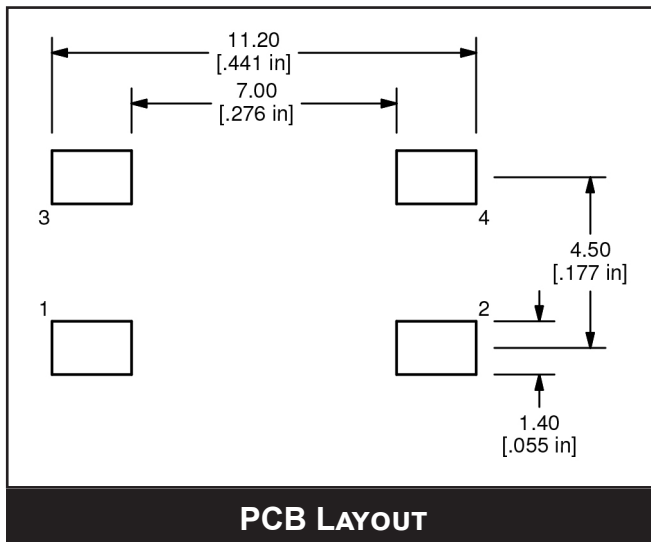
TERMINATION OPTIONS



ACTUATOR OPTION	"L" DIMENSION
N	4.3mm
A	5.0mm
E	7.3mm
F	7.0mm
C	8.0mm
P	8.5mm
B	9.5mm
D	13.0mm

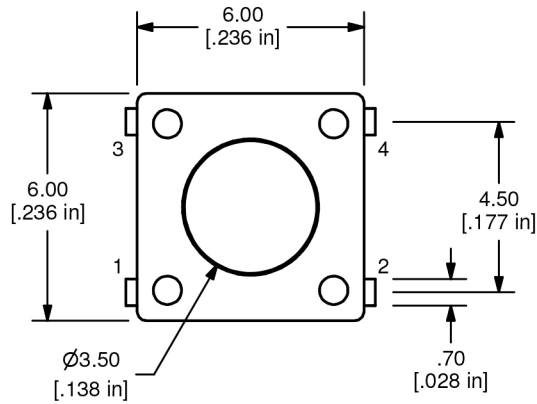


GULLWING TERMINATION

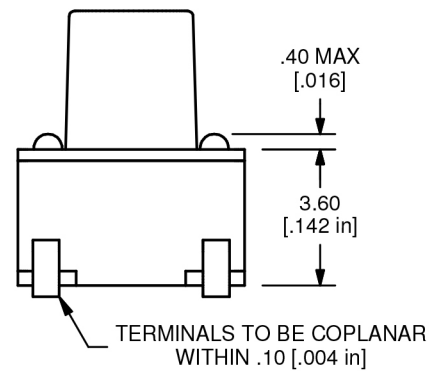
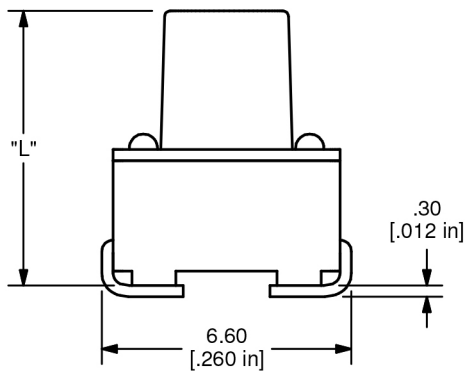


TL3301 SERIES TACT SWITCH

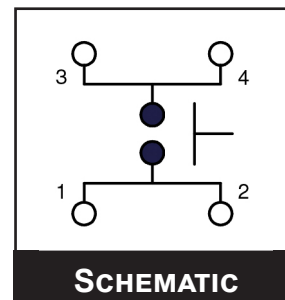
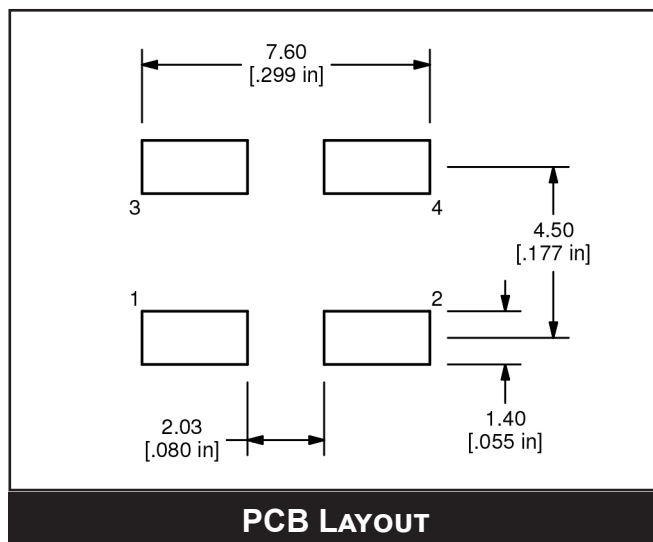
TERMINATION OPTIONS



ACTUATOR OPTION	"L" DIMENSION
N	4.3mm
A	5.0mm
E	7.3mm
F	7.0mm
C	8.0mm
P	8.5mm
B	9.5mm
D	13.0mm

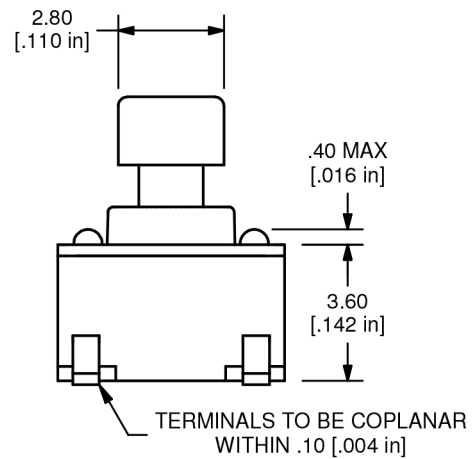
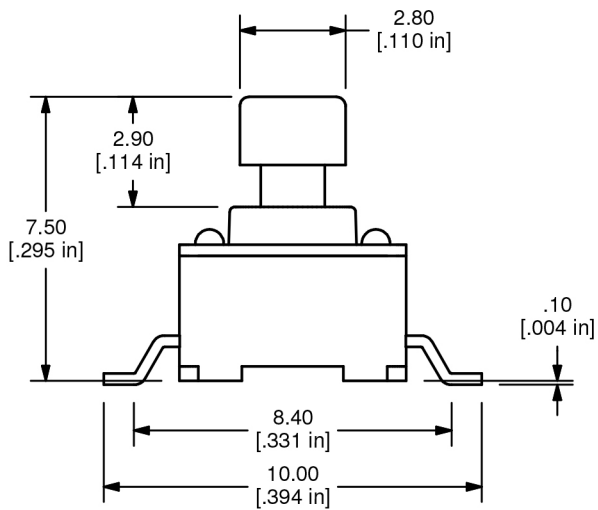
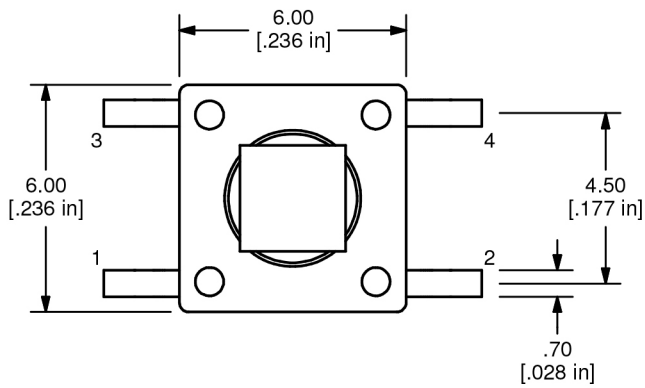


J-LEAD TERMINATION

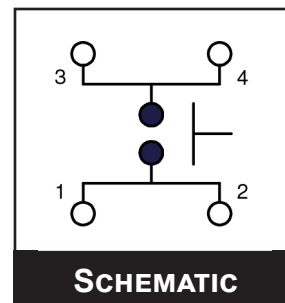
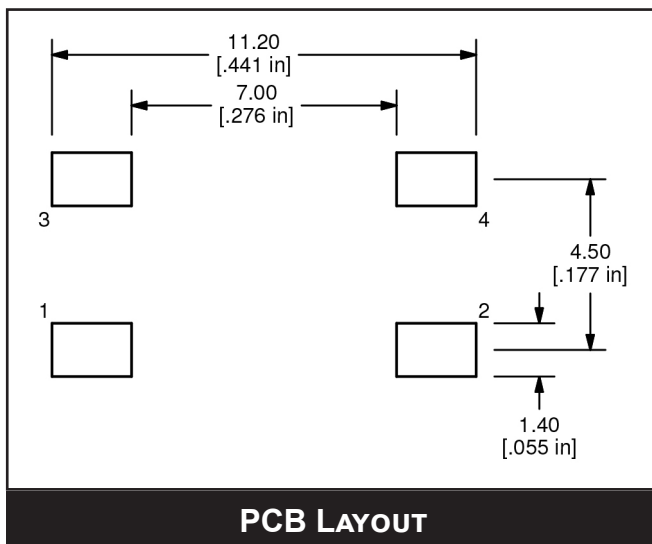


TL3301 SERIES TACT SWITCH

ACTUATOR OPTIONS

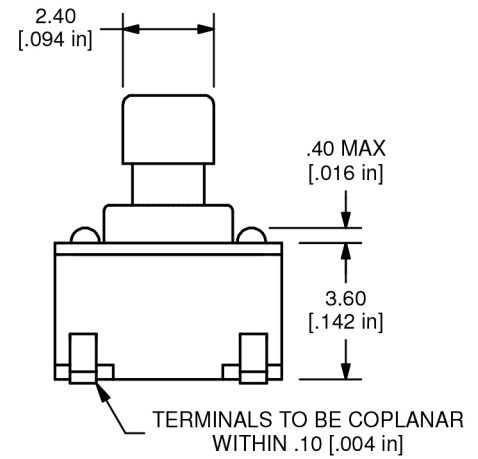
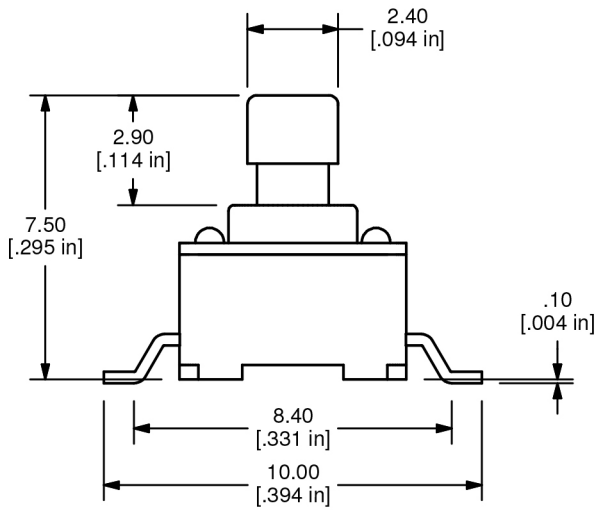
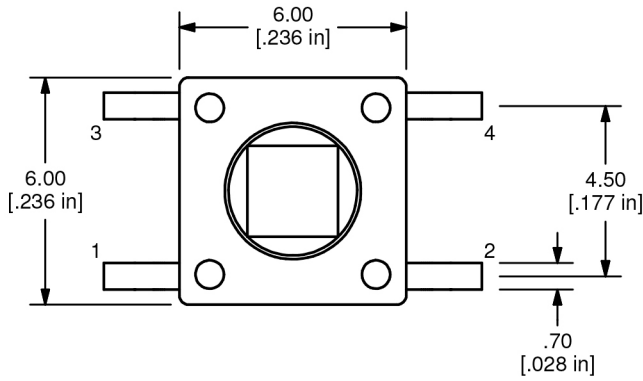


SP ACTUATOR
(GULLWING TERMINATION SHOWN)

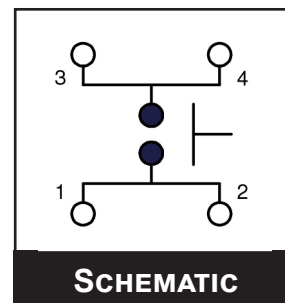
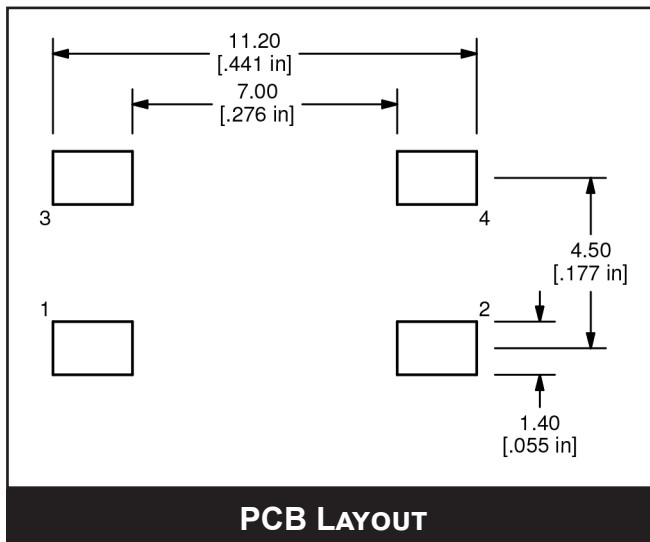


TL3301 SERIES TACT SWITCH

TERMINATION OPTIONS



T ACTUATOR
(GULLWING TERMINATION SHOWN)



Looking for pricing, stock, or lifecycle information?

Click below to explore more details on WIN SOURCE:

 [View TL3301PF160QG on WIN SOURCE](#)

 [E-Switch Information](#)

Optimize Your Supply Chain with WIN SOURCE Solutions

-  Global Sourcing Solution
-  Obsolete Management
-  Cost Control Management
-  Shortage Management
-  Alternative Solution
-  Excess Inventory Management