



**THE DATASHEET OF
CSE5-101001**



CSE5-101001

Description:

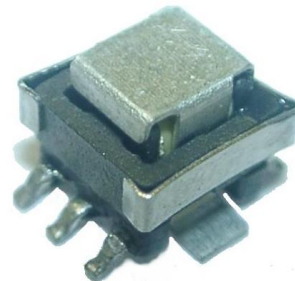
EE5 Surface mounting design
 Height: 5.3mm Max
 Optimal performance at 250 kHz and above
 Primary Current Rating: 10 amps
 Insulation Resistance: 10MΩ Minimum
 Operating Temperature Range: -15°C to +105°C
 Custom designs available
 Energy Time (E.T.) = 54.0V μS Max

Application:

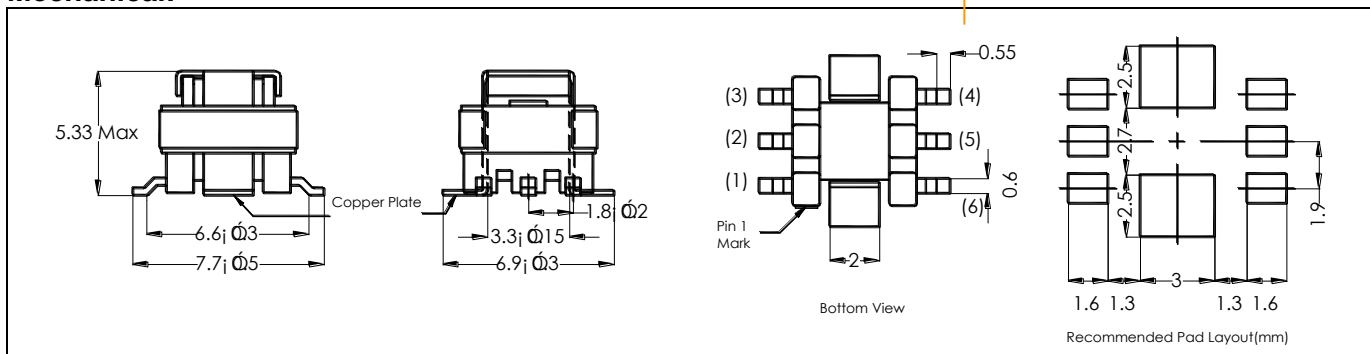
Ac current detection
 Output supply for control circuit
 Switching Power Supply

Electrical Specifications @ 25C

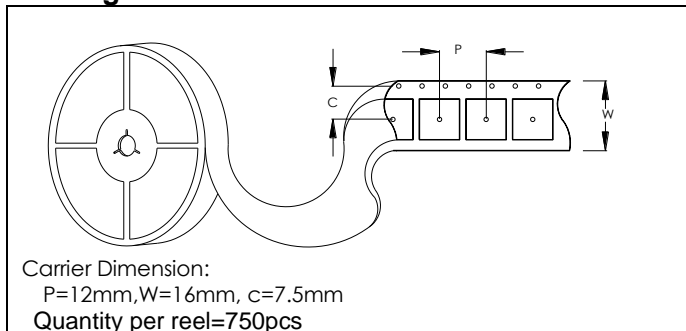
Turns N1:N2	Secondary Min Inductance (μH)	Secondary Max DCR (mΩ)	Color Code	
			Dot	Tape
1:100	2000	5500	YEL	RED



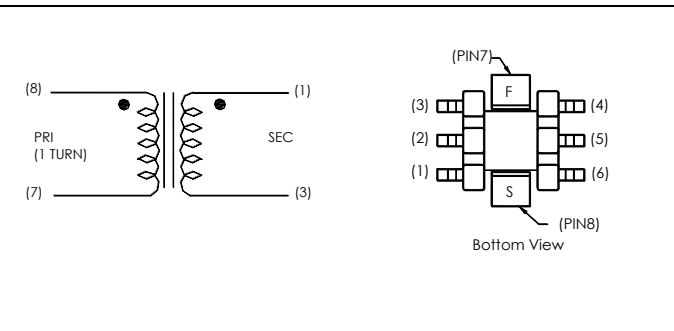
Mechanical:



Packing:



Schematic:





RoHS Compliance: As of manufacturing date February 2016, all standard products meet the requirements of 2015/863/EU, known as the RoHS 3 initiative.





* Upon printing, this document is considered "uncontrolled". Please contact Triad Magnetics' website for the most current version.

Looking for pricing, stock, or lifecycle information?

Click below to explore more details on WIN SOURCE:

-  [View CSE5-101001](#) on WIN SOURCE
-  [Triad Magnetics](#) Information

Optimize Your Supply Chain with WIN SOURCE Solutions

-  Global Sourcing Solution
-  Obsolete Management
-  Cost Control Management
-  Shortage Management
-  Alternative Solution
-  Excess Inventory Management